



REDDI ARM

10 SERIES 2023

PARTS MANUAL

Page intentionally left blank

TABLE OF CONTENTS

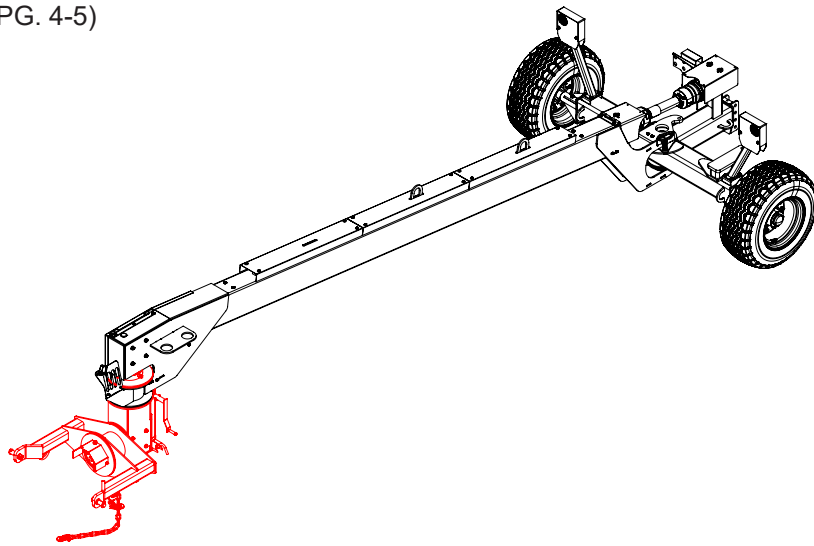
- Machine Overview 2
- Machine Overview 2
- Front Assembly 4
- Front Assembly 4
- Axle Assembly 3
- Axle Assembly: 8-Bolt 6
- Axle Assembly: 10-Bolt 8
- 8-Bolt Hub Assembly 10
- 10-Bolt Hub Assembly 11
- Main Frame Assembly 12
- Main Frame Assembly 12
- Driveline Assembly 14
- Gearbox: Upper 14
- Gearbox: Lower 15
- Front Driveline 16
- Rear Driveline 17
- Transfer Shaft Assembly 18
- Hydraulics 20
- Steering Circuit 20
- Individual Circuits (4-Set Option) . . . 21
- Selector Valve Circuit (Optional) . . . 22
- Lighting & Electrical 23
- Lighting & Electrical 23

Model #: _____

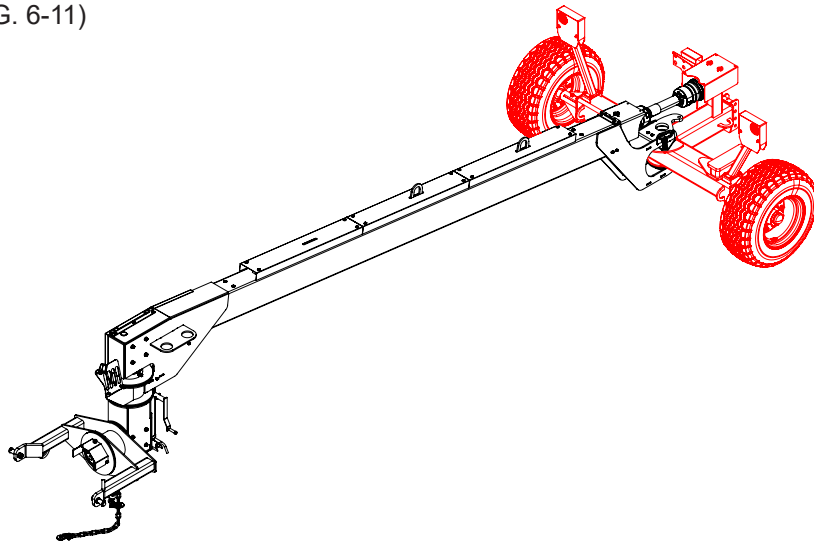
Serial #: _____

Page intentionally left blank

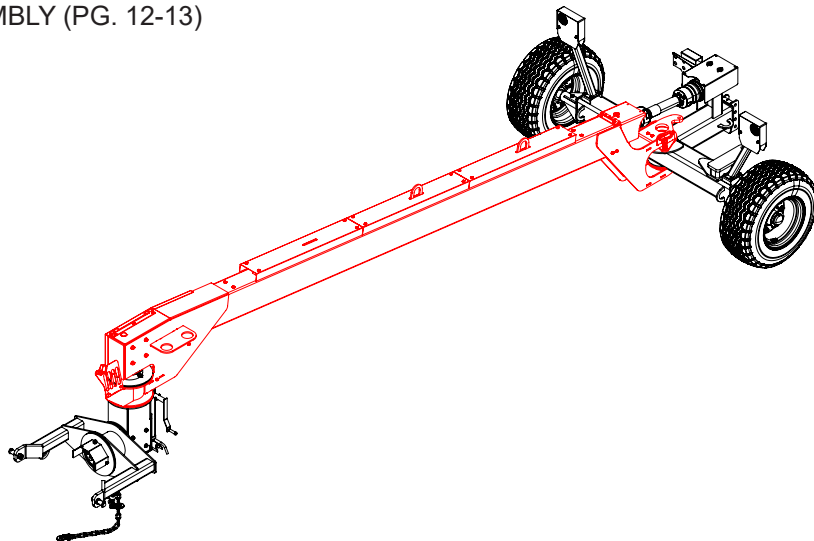
FRONT ASSEMBLY (PG. 4-5)



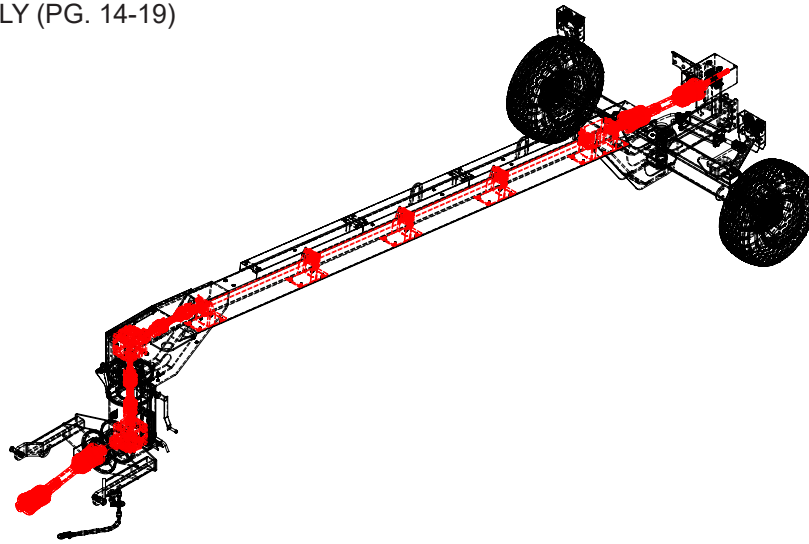
AXLE ASSEMBLY (PG. 6-11)



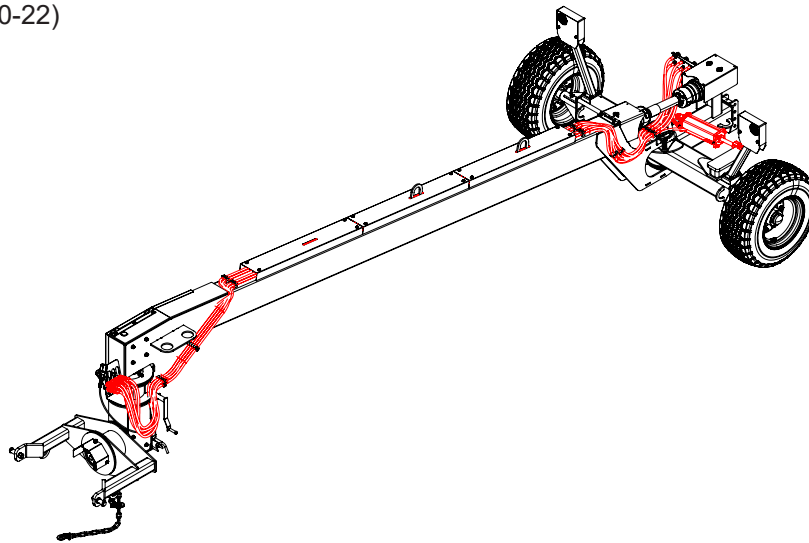
MAIN FRAME ASSEMBLY (PG. 12-13)



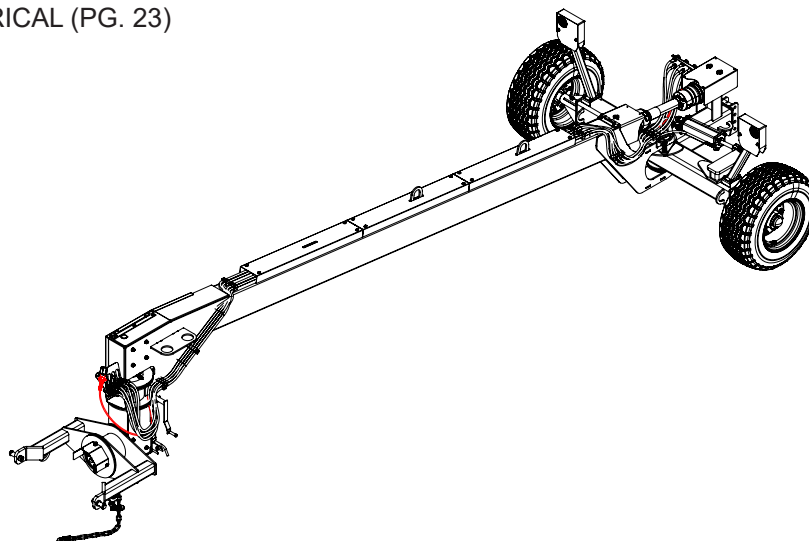
DRIVELINE ASSEMBLY (PG. 14-19)

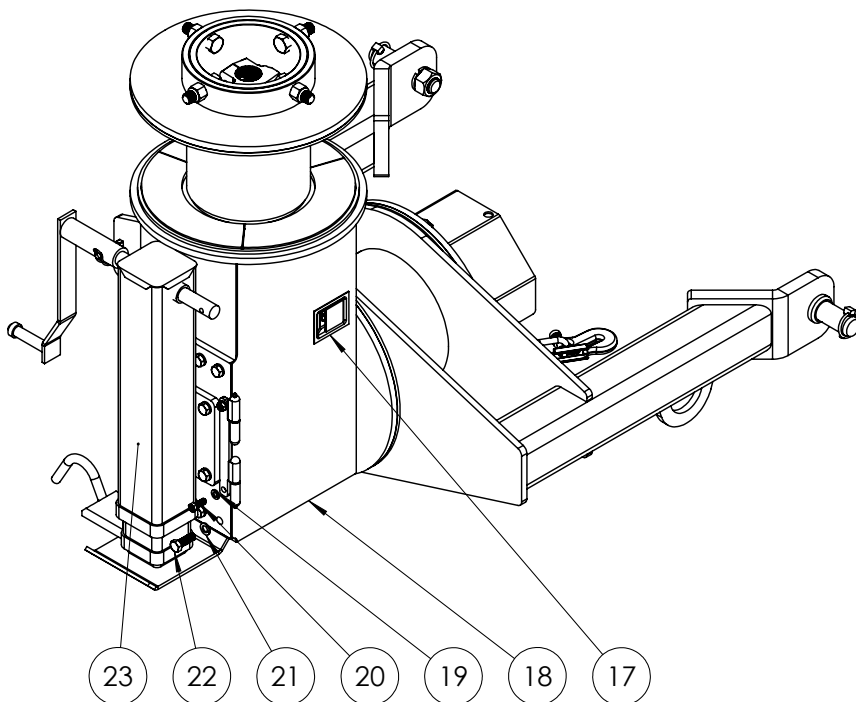
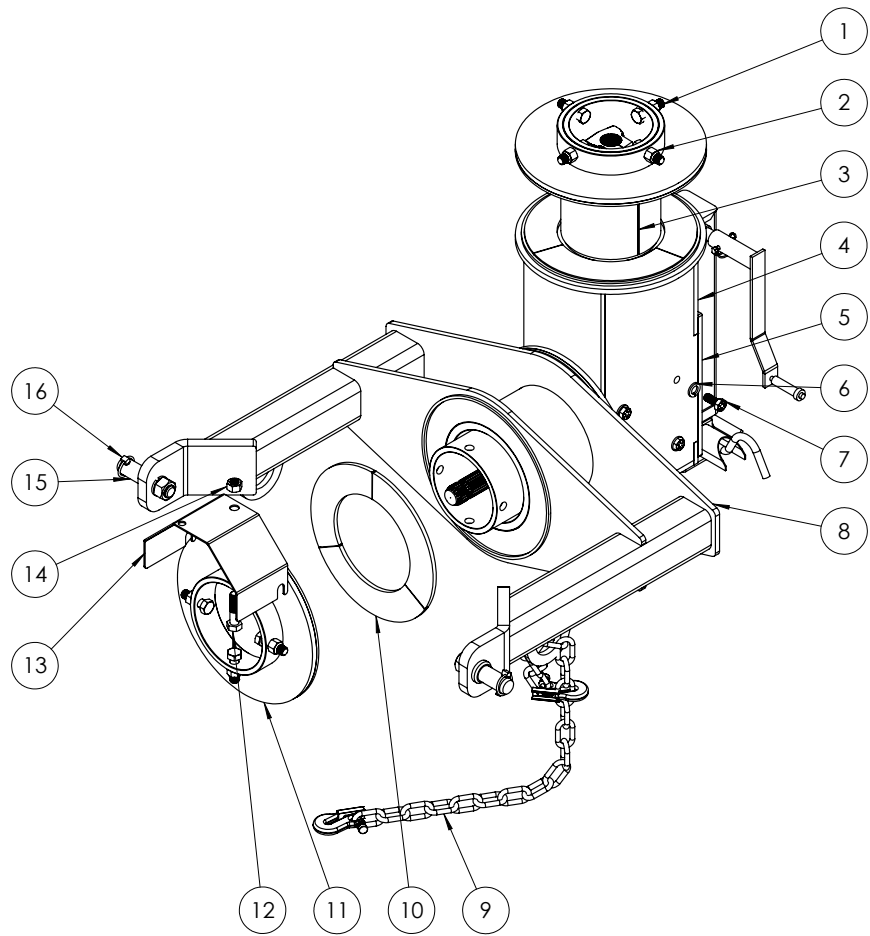
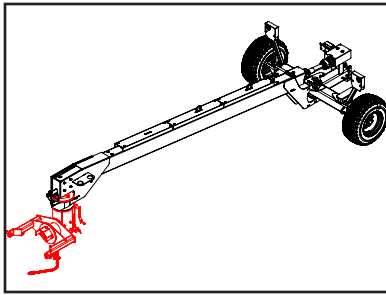


HYDRAULICS (PG. 20-22)

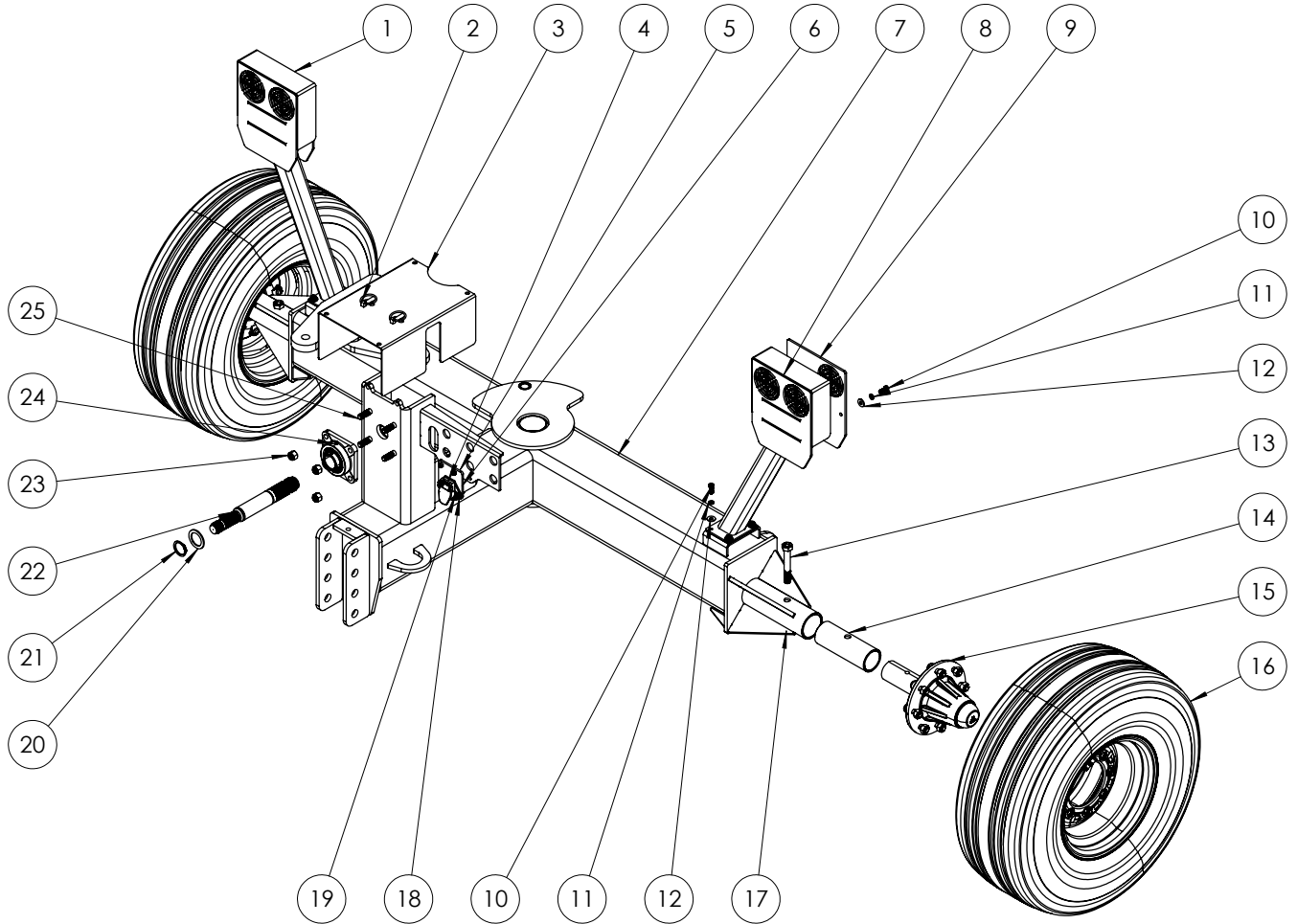
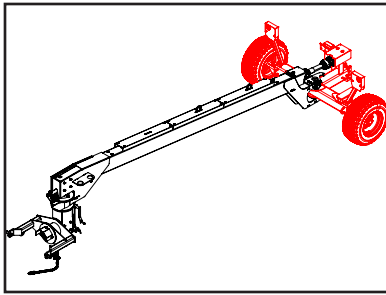


LIGHTING & ELECTRICAL (PG. 23)

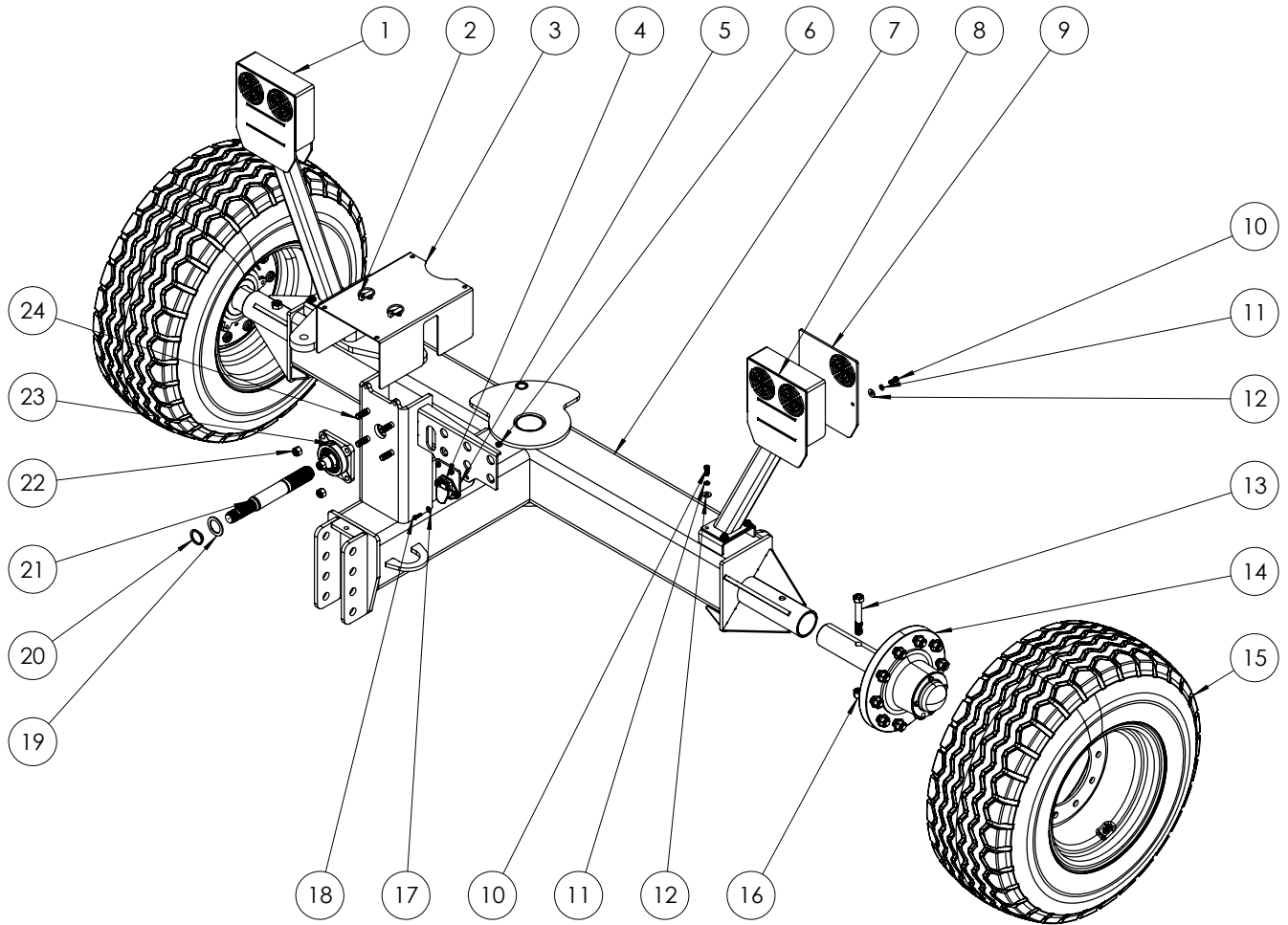
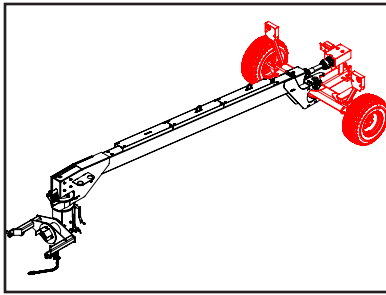




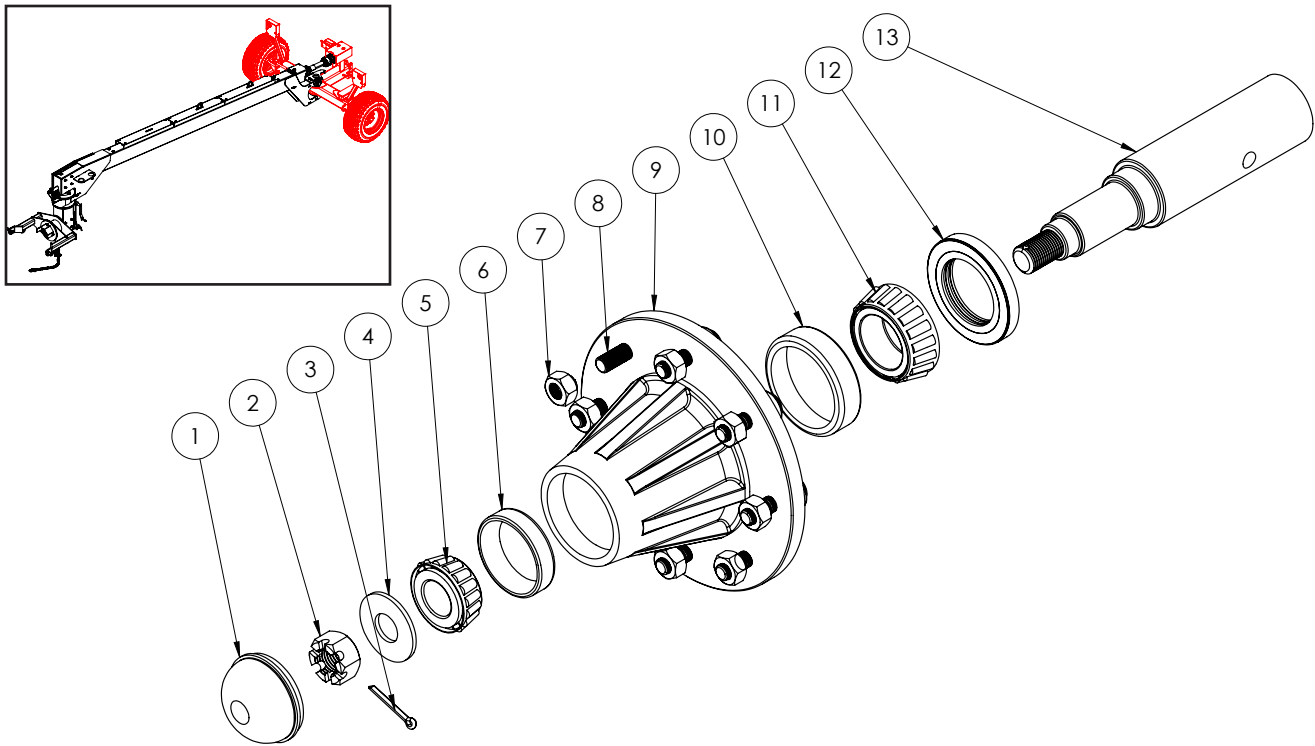
Item	Part #	Description
1	R0130925	Bolt: 3-4"-10 x 2-1/2"
2	R0430109	Lock Nut, Nylon: 3/4"-10
3	PM027001	Wear Cylinder: 8"ID x 8"L
4	WC007001	Gearbox Mount Box
5	PP05029-01	Jack Mount Plate
6	R0620008	Lock Washer: 5/8"
7	R0130815	Bolt: 5/8"-11 x 1-1/2"
8	WC007003	Hookup Component
9	R9910001	Safety Chain: 3/8" x 60", Grd. 70
10	PM057002	Wear Pad: 1/3 Circle
11	WC007004	Swivel Retainer
12	R0130930	Bolt: 3/4"-10 x 3"
13	PP017007	Guard: Front Driveline
14	R0330109	Nut: 3/4"-10
15a	R0811338	Lift Arm Pin: 1-1/8" x 6-1/4", Category 2
15b	R0815338	Lift Arm Pin: 1-7/16" x 5-3/4", Category 3
16	R0805150	Lynch Pin: 7/16" x 1-9/16"
17	R9919001	Flush Mount Paddle Handle Latch
18	WC007007-01	Gearbox Access Door
19	R0620004	Lock Washer: 3/8"
20	R0130410	Bolt: 3/8"-16 x 1"
21	R0620006	Lock Washer: 1/2"
22	R0130615	Bolt: 1/2"-13 x 1-1/2"
23	R9909008	Jack: 9,500 lbs
23a	R9909007	Jack: 7,000 lbs



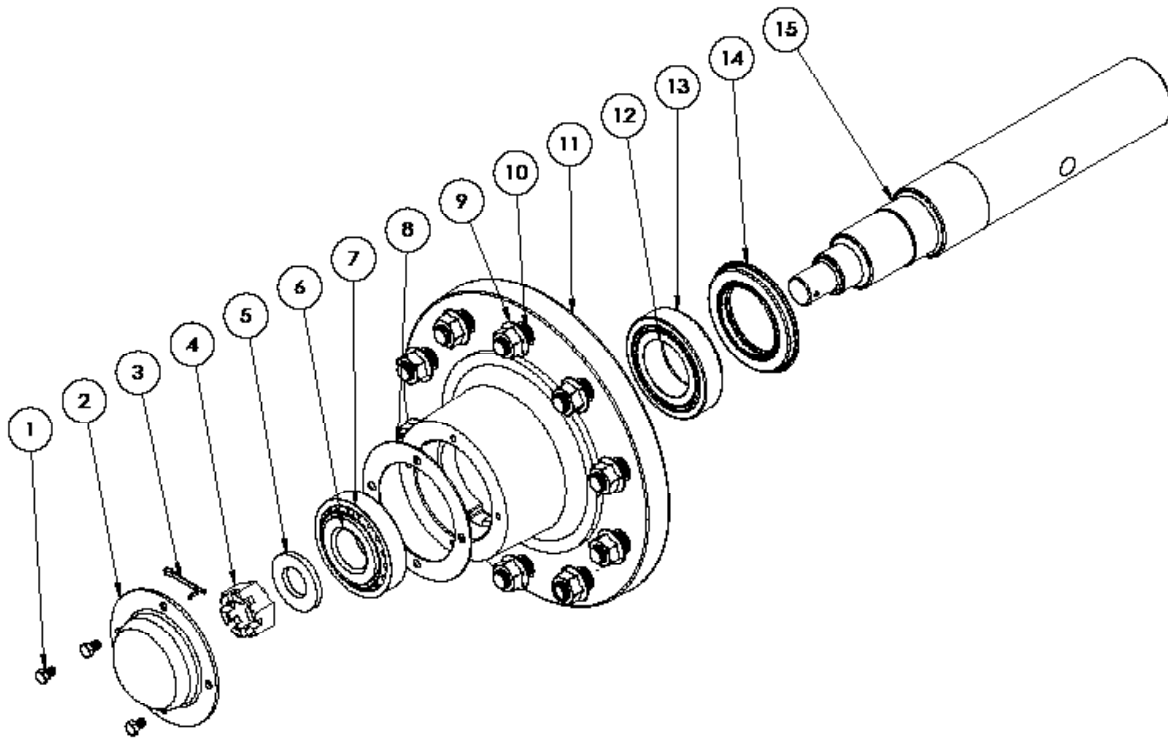
Item	Part #	Description	Reference #
1	WC007020-01	Light Bracket: Left	
2	R0805150	Lynch Pin: 7/16" x 1-9/16"	
3	PP017003	Driveline Guard	
4	N/A	Electrical (See Page 23)	
5	WC007008	Electrical Plug Mount Bracket	
6	R0430104	Lock Nut, Nylon: 3/8"-16	
7	WC007002	Axle Frame	
8	WC007021-01	Light Bracket: Right	
9	PP037027-01	Front Light Guard	
10	R0130410	Bolt: 3/8"-16 x 1"	
11	R0620004	Lock Washer: 3/8"	
12	R0510104	Flat Washer: 3/8"	
13	R0130650	Bolt: 1/2"-13 x 5"	
14	PB307001	Spindle Sleeve Bushing	
15	R9903008-01	Hub/Spindle Assembly (See Page 10)	
16	KW100008	Wheel/Tire Assembly	
16 a	R9908009	Wheel: 8" - 8-Bolt, 1-1/8" offset	
16 b	R9907001	Tire: 320/70R15	
17	R0430106	Lock Nut, Nylon: 1/2"-13	
18	R0540102	Flat Washer: 1/4"	
19	R0130210	Bolt: 1/4"-20 x 1"	
20	PP017006	Washer: 1-3/4"ID x 2-1/2"OD	
21	R1618001	External Snap Ring: 1-3/4"	
22	R9940001	Connection Shaft: 1-3/4" x 14"	
23	R0430108	Lock Nut, Nylon: 5/8"-11	
24	R1100008-02	Bearing/Flange: 1-3/4" bore, 4-Bolt	UCF209-112D1
25	R0130830	Bolt: 5/8"-11 x 3"	



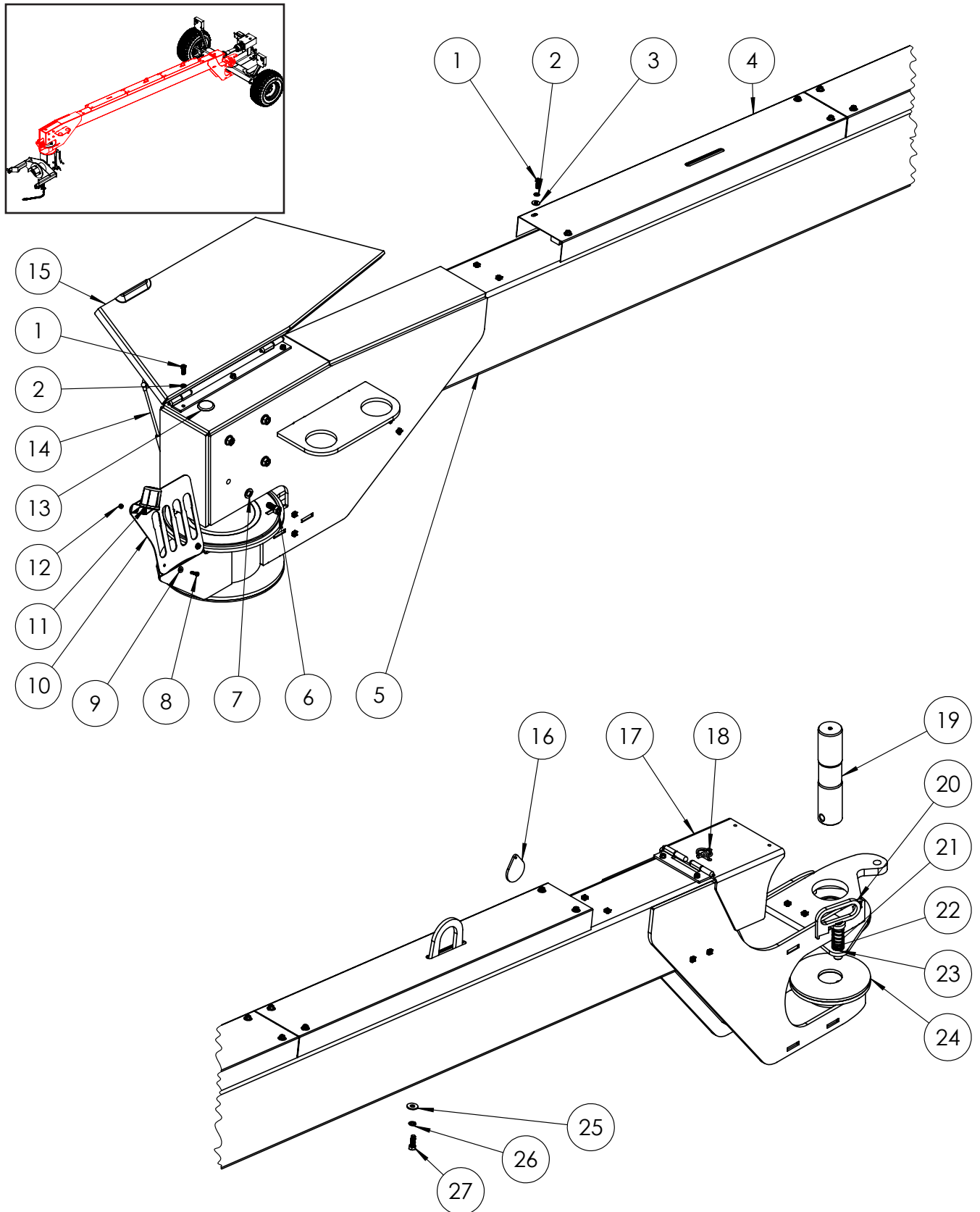
Item	Part #	Description	Reference #
1	WC007020-01	Light Bracket: Left	
2	R0805150	Lynch Pin: 7/16" x 1-9/16"	
3	PP017003	Driveline Guard	
4	N/A	Electrical (See Page 23)	
5	WC007008	Electrical Plug Mount Bracket	
6	R0430104	Lock Nut, Nylon: 3/8"-16	
7	WC007002	Axle Frame	
8	WC007021-01	Light Bracket: Right	
9	PP037027-01	Front Light Guard	
10	R0130410	Bolt: 3/8"-16 x 1"	
11	R0620004	Lock Washer: 3/8"	
12	R0510104	Flat Washer: 3/8"	
13	R0130650	Bolt: 1/2"-13 x 5"	
14	R9903009	Hub/Spindle Assembly (See Page 11)	
15	KW100006	Wheel/Tire Assembly	
15a	R9908003	Wheel: 10-bolt, 1-1/8" offset	
15b	R9907005	Tire: 440/55R18	
16	R0430106	Lock Nut, Nylon: 1/2"-13	
17	R0540102	Flat Washer: 1/4"	
18	R0130210	Bolt: 1/4"-20 x 1"	
19	PP017006	Washer:	
20	R1618001	External Snap Ring: 1-3/4"	
21	R9940001	Connection Shaft: 1-3/4" x 14"	
22	R0430108	Lock Nut, Nylon: 5/8"-11	
23	R1100008-02	Bearing/Flange: 1-3/4" bore, 4-Bolt	UCF209-112D1
24	R0130830	Bolt: 5/8"-11 x 3"	



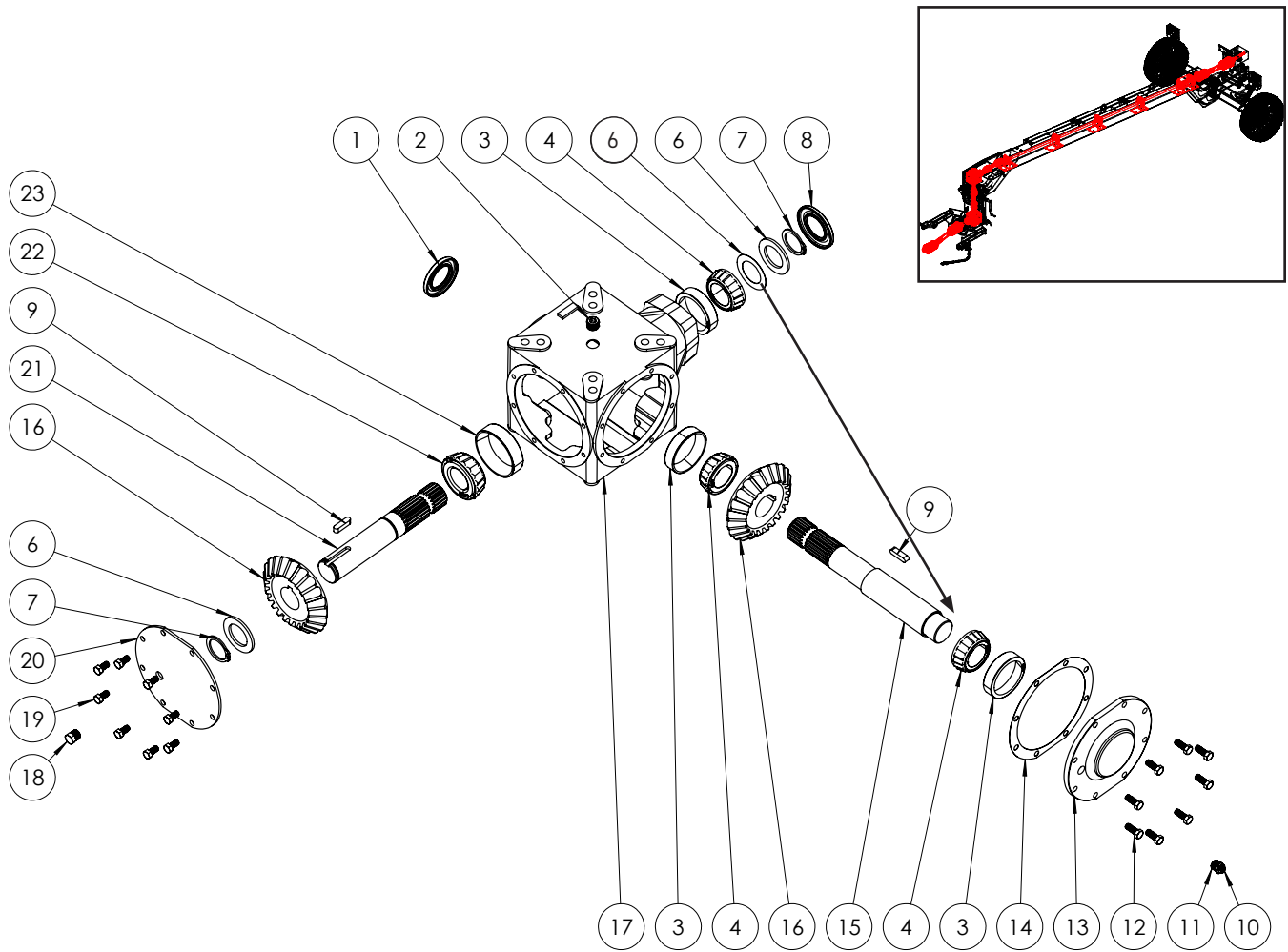
Item	Part #	Description	Reference #
1	R9906004	Dust Cap	DC-17
2	R1410001	Nut, Castle, Fine: 1"	
3	R1618900	Cotter Pin: 3/16" x 2"	
4	R0590100	Washer, Flat, Hardened: 1"	
5	R1100017	Bearing, Tapered: Outer	2790
6	R1200005	Race: Outer	2720
7	R0350107	Nut, Lug, Fine: 9/16"	
8	R0150723	Studded Bolt, Fine: 9/16" x 2-1/2"	
9	R9905006-01	Hub, Cast: Includes Races	
10	R1200006	Race: Inner	3720
11	R1100018	Bearing, Tapered: Inner	3780
12 a	R1300001	Grease seal, Single Lip	SE-17
12 b	R1300001-02	Grease seal, Labyrinth	
13	N/A	Spindle	
14	R9903008-11	Complete Hub/Spindles Assembly: 8-Bolt, 2-1/2" Spindle	
Bearing Kits			
*	KB100002	Premium (Bronze) Rebuild Kit: Includes Items 5,6,10,11,12a	
**	KB100002-11	Premium (Silver) Rebuild Kit: Includes Items 5,6,10,11,12b	
***	KB100002-12	Premium (Gold) Rebuild Kit: Includes Items 1-6, 10,11,12b	



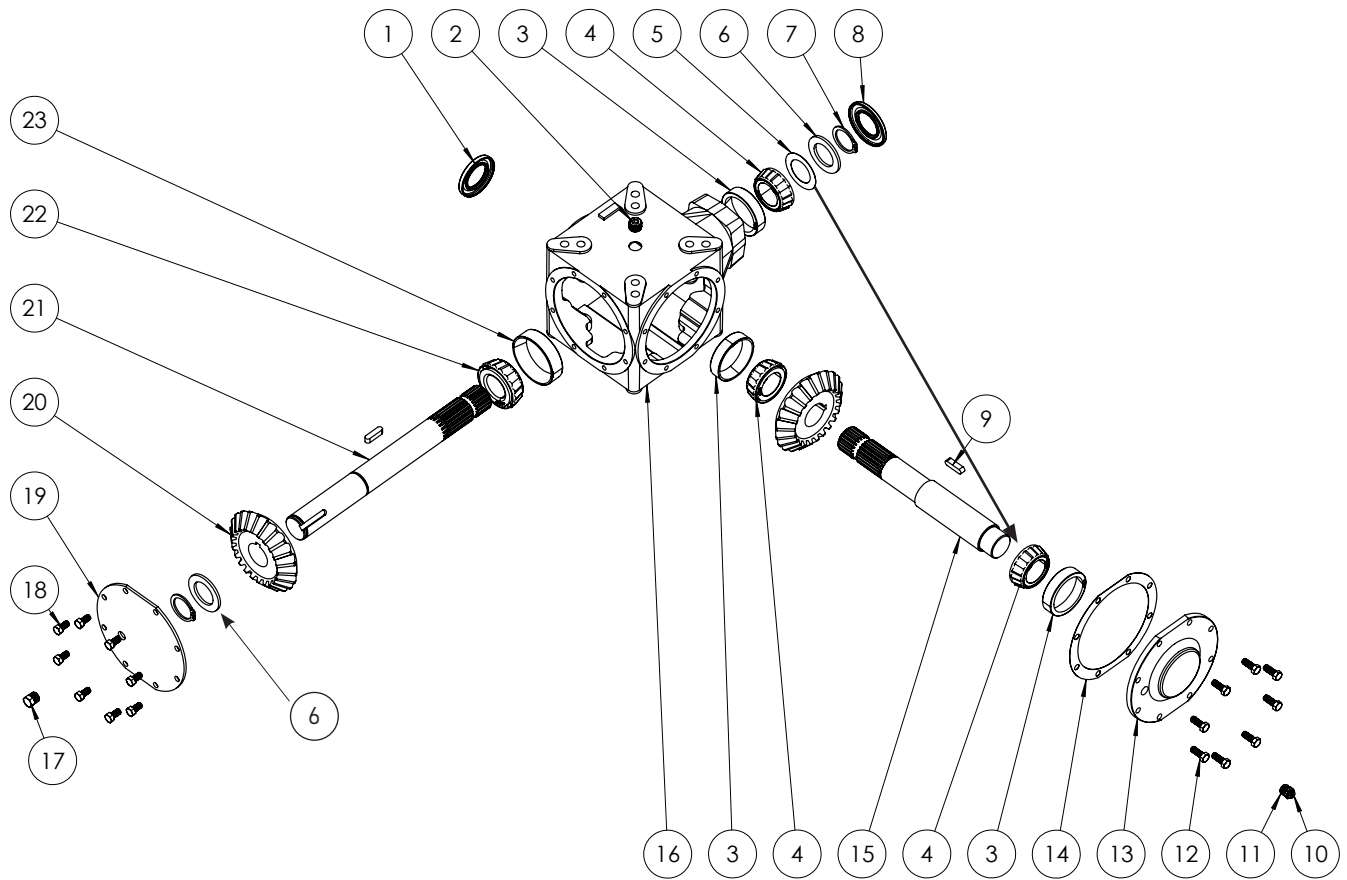
Item	Part #	Description	Reference #
1	N/A	Bolt: 5/16" x 1/2"	
2	R9906005	Dust Cap	DC27
3	R1618900	Cotter Pin: 3/16" x 2"	
4	R1413001	Castle Nut, Fine: 1-1/4"	
5	R0590113	Washer, Flat: 1-1/4"	
6	R1100001	Bearing, Tapered: Outer	460
7	R1200000	Race: Outer	453A
8	R1300010	Gasket, Rubber	
9	R0350109	Nut, Lug, Fine: 3/4"	
10	R0150926	Studded Bolt: 3/4" x 2-5/8"	
11	N/A	Hub, Cast	
12	R1100002	Bearing, Tapered: Inner	39585
13	R1200001	Race: Inner	39520
14 a	R1300000-01	Grease Seal: Single Lip	SE-48
14 b	R1300000-02	Grease Seal: Labyrinth	
15	N/A	Spindle: 3"	
16	R9903009-01	Complete Hub/Spindle Assembly: 10-Bolt, 3" Spindle	
Bearing Kits			
*	KB100000	Premium (Bronze) Rebuild Kit: Includes Items 6,7,12,13,14a	
*	KB100000-11	Premium (Silver) Rebuild Kit: Includes Items 6,7,12,13,14b	
**	KB100000-12	Premium (Gold) Rebuild Kit: Includes Items 2-8,12,13,14b	



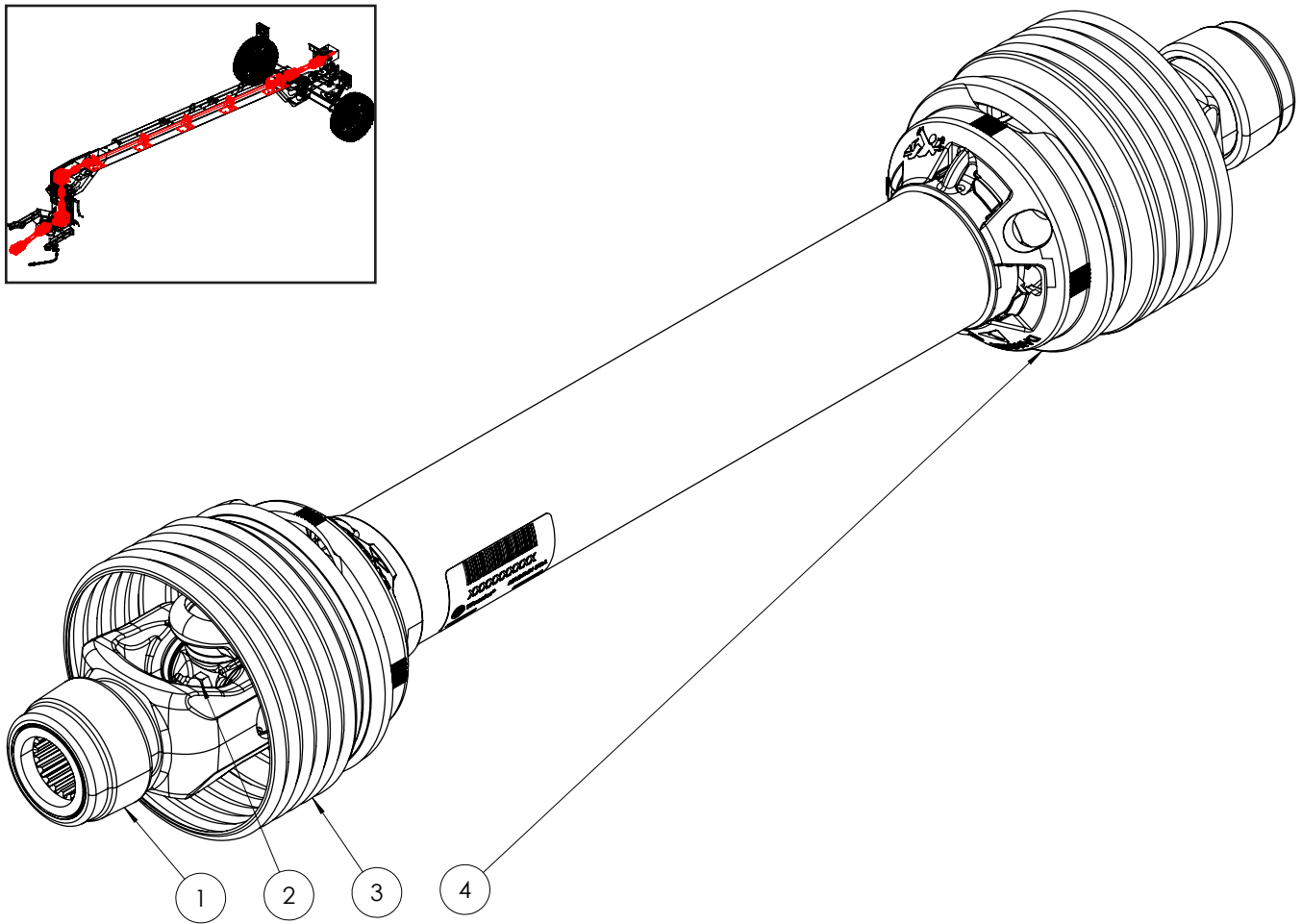
Item	Part #	Description
1	R0130410	Bolt: 3/8"-16 x 1"
2	R0620004	Lock Washer: 3/8"
3	R0540104	Flat Washer: 3/8"
4	PG167001	Hydraulic Hose Guards
5	WM007001	Main Frame
6	R0130815	Bolt: 5/8"-11 x 1-1/2"
7	R0620008	Lock Washer: 5/8"
8	R0130210	Bolt: 1/4"-20 x 1"
9	R0540102	Flat Washer: 1/4"
10	PP010001	Hydraulic Coupler Storage Plate
11	R1701018	Protector: Electrical Plug Holder
12	R0430102	Lock Nut, Nylon: 1/4"
13	R9900001	Plastic Cap: 55mm
14	R9925035	Gas Spring
15	WC007019-01	Gearbox Access Door: Top
16	PP037011	Grease point Access Cover
17	WC007022-01	Driveline Guard: Rear
18	R0805150	Lynch Pin: 7/16" x 1-9/16"
19	PR307001	Axle Pin: 3" x 13-3/4"
20	WC007009	Axle Locking Pin
21	R0915001	Spring: 1-1/2" x 3-1/4"
22	R0803025	Roll Pin: 5/16" x 2-1/2"
23	R0530211	Flat Washer: 1"
24	PM057001	Wear Pad: 10"OD x 3"ID
25	R0540106	Flat Washer: 1/2"
26	R0620006	Lock Washer: 1/2"
27	R0130615	Bolt: 1/2"-13 x 1-1/2"



Item	Part #	Description	Reference #	Item	Part #	Description	Reference #
1	R1300011	Seal 1.75 / 3.00 x .313	1488-1	13	N/A	Cover - Closed, 3/8 NPT	4143-1
2	R9940015	Plug 1/2 NPT	1862-1	14	N/A	Shim	N/A
3	R1200003	Race 25520	1430	15	R9940017	Cross Shaft	5127
4	R1100022	Tapered Bearing 25581	1429	16	R9940016	Crown Gear - 22T	1290
5	R059915B	Washer 1.75 x 1.34	2838	17	N/A	Gearbox Shell - Case - 900	1018-22
6	R059915A	Washer 1.75 x .179	2855	18	R9940019	Plug: 3/8 NPT	1872
7	R1617500	Snap Ring 1.75 x .109	1620	19	R0110408	Bolt: 3/8" x 3/4"	1731
8	R1300012	Seal 1.75 / 3.27 x .250	1489-1	20	N/A	Cover Plate - 900	4134
9	R9940021	Key 3/8 SQ x 1.46	1659	21	R9940021	Quill Shaft	5128
10	R9940014	Vent 5 PSI - 1/8 NPT	1853	22	R1100023	Tapered Bearing 3782	1433
11	R9940020	Bushing: 3/8 - 1/8 NPT	1861	23	R1200009	Race 3730	1434
12	R0110410	Bolt: 3/8" x 1"	1705	*	R9940002	Complete Upper Gearbox	N/A



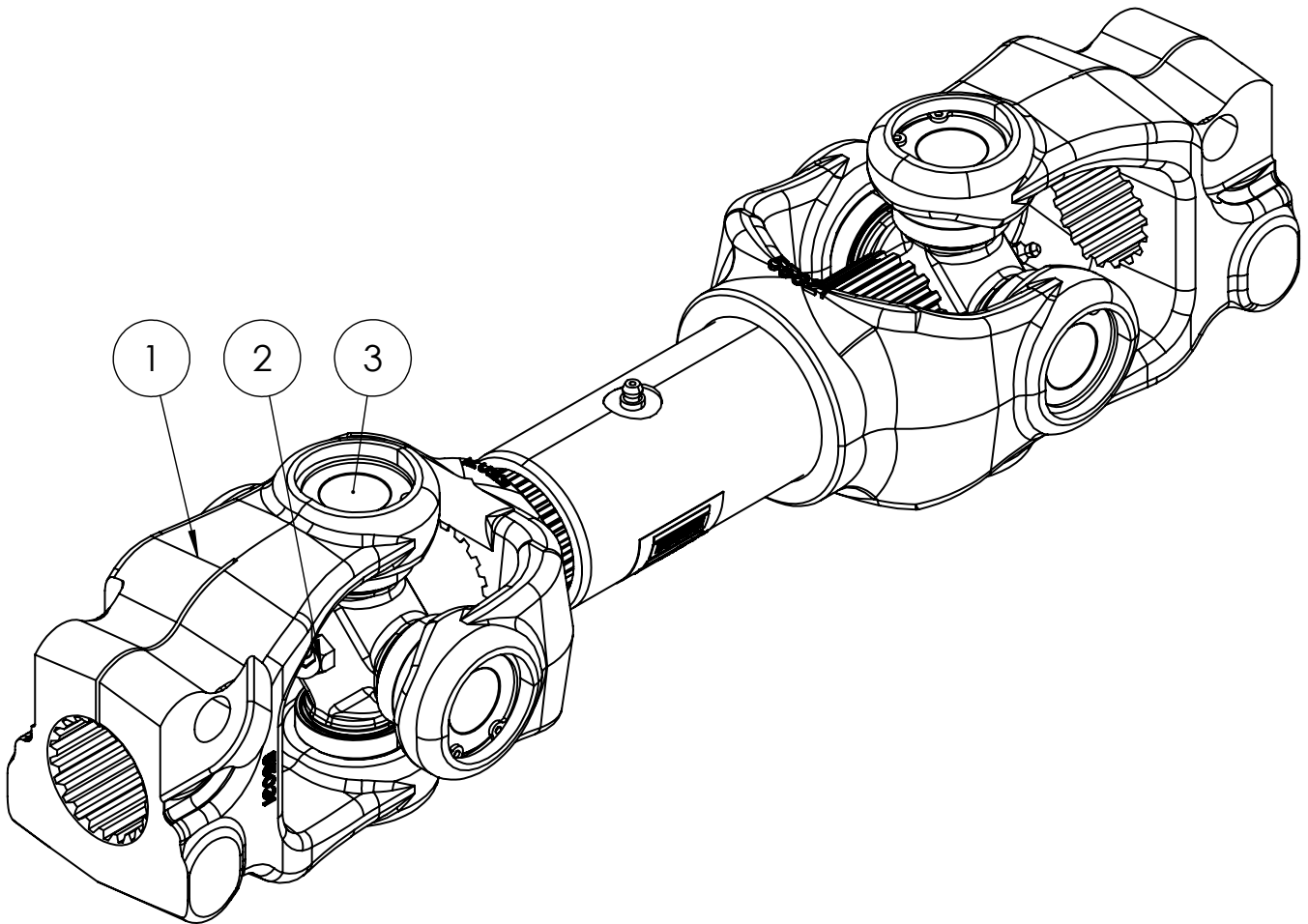
Item	Part #	Description	Reference #	Item	Part #	Description	Reference #
1	R1300011	Seal 1.75 / 3.00 x .313	1488-1	13	N/A	Cover - Closed, 3/8 NPT	4143-1
2	R9940015	Plug 1/2 NPT	1862-1	14	N/A	Shim	N/A
3	R1200003	Race 25520	1430	15	R9940017	Cross Shaft	5127
4	R1100022	Tapered Bearing 25581	1429	16	N/A	Gearbox Shell - Case - 900	1018-22
5	R059915B	Washer 1.75 x 1.34	2838	17	R9940019	Plug: 3/8 NPT	1872
6	R059915A	Washer 1.75 x .179	2855	18	R0110408	Bolt: 3/8" x 3/4"	1731
7	R1617500	Snap Ring 1.75 x .109	1620	19	N/A	Cover Plate - 900	4134
8	R1300012	Seal 1.75 / 3.27 x .250	1489-1	20	R9940016	Crown Gear	1290
9	R9940021	Key 3/8 SQ x 1.46	1659	21	R9940018	Quill Shaft	5128-1
10	R9940014	Vent 5 PSI - 1/8 NPT	1853	22	R1100023	Tapered Bearing 3782	1433
11	R9940020	Bushing: 3/8 - 1/8 NPT	1861	23	R1200009	Race 3730	1434
12	R0110410	Bolt: 3/8" x 1"	1705	*	R9940003	Complete Lower Gearbox	



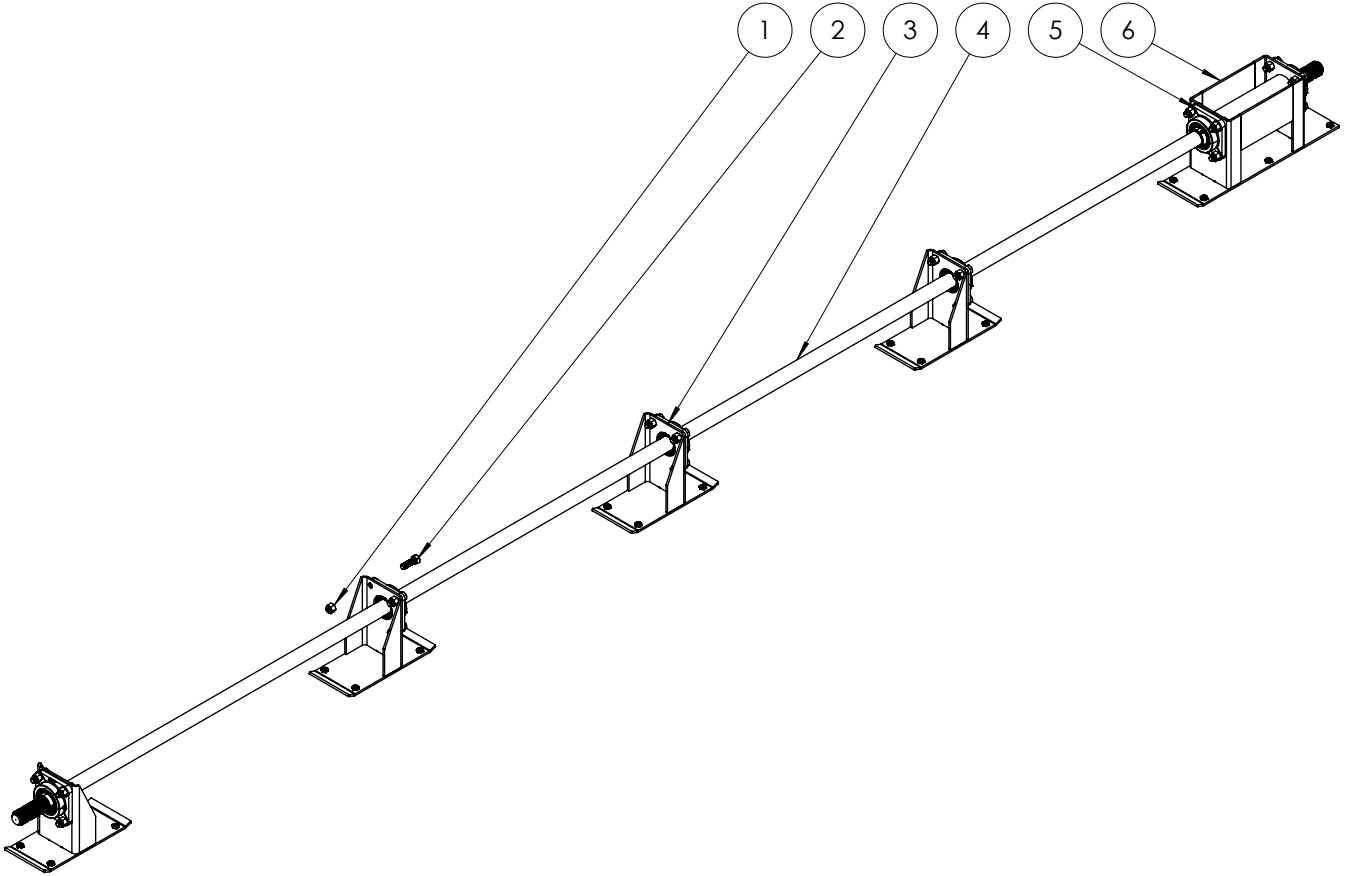
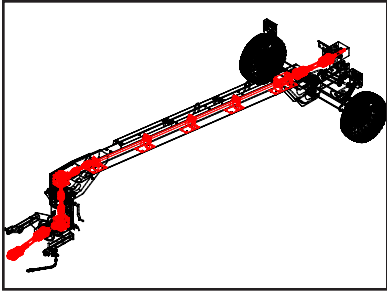
Weasler			
Item	Part #	Description	Reference #
1 a)	R9940013	Yoke: 1-3/8" 21 spline	79060-1636
1 b)	R9940012	Yoke: 1-3/4" 20 spline	79060-1939
2	KG900002	Cross Kit	03-15619
3	R9902021	Inner Guard	96-28747
4	R9902019	Outer Guard	97-28747
5 a)	R9940010	Complete Input Driveline, Weasler: 1-3/8" 21 spline	936-28747
5 b)	R9940011	Complete Input Driveline, Weasler: 1-3/4" 20 spline	936-28748



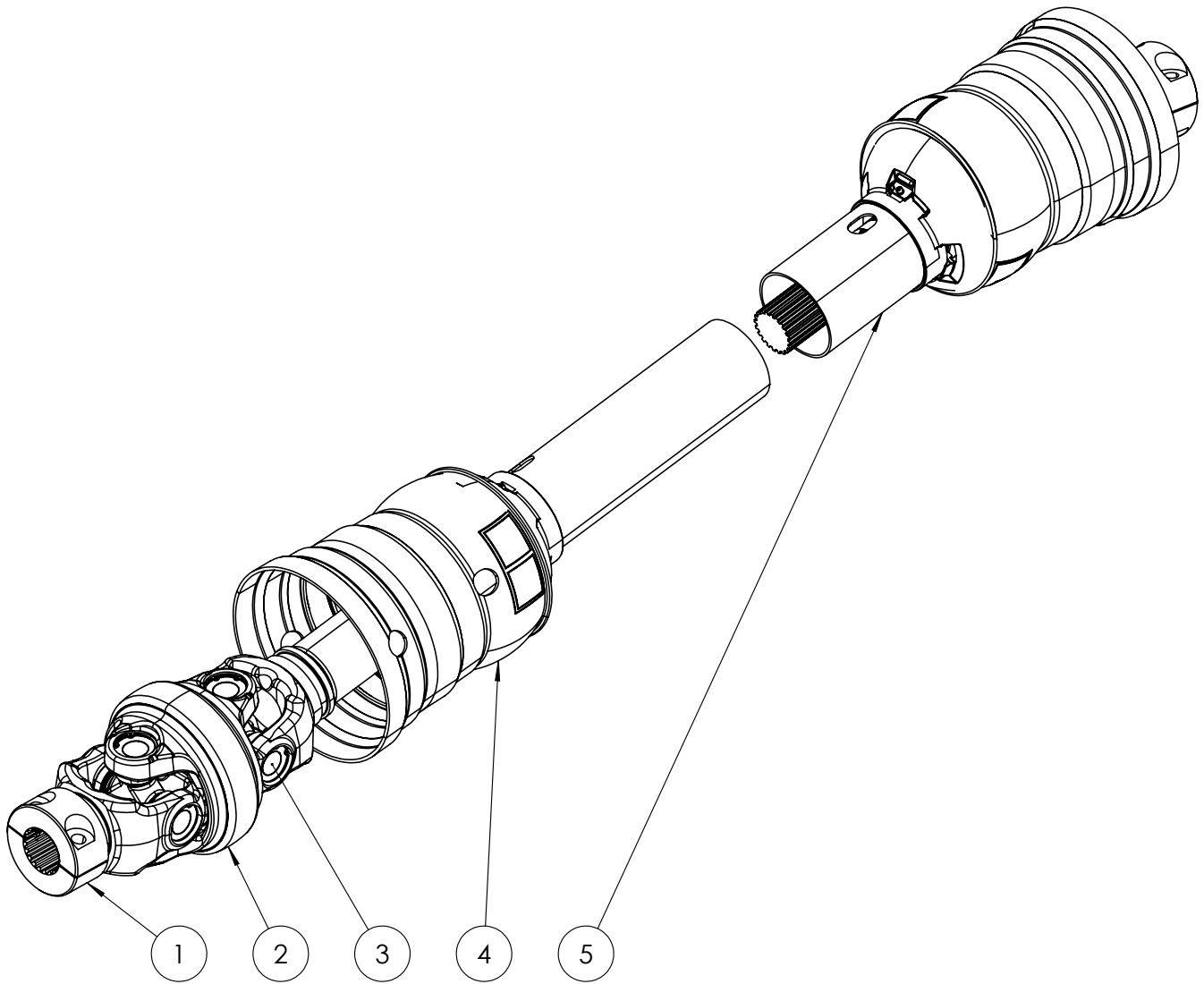
Benzi			
Item	Part #	Description	Reference #
1 a)	R9940023	Yoke: 1-3/8" 21 spline	10812
1 b)	R9940026	Yoke: 1-3/4" 20 spline	10817
2	KG900005	Cross Kit	PT151040 200-6806
3	n/a	Inner Guard	n/a
4	n/a	Outer Guard	n/a
5 a)	n/a	Complete Input Driveline, Benzi: 1-3/8" 21 spline	n/a
5 b)	n/a	Complete Input Driveline, Benzi: 1-3/4" 20 spline	n/a



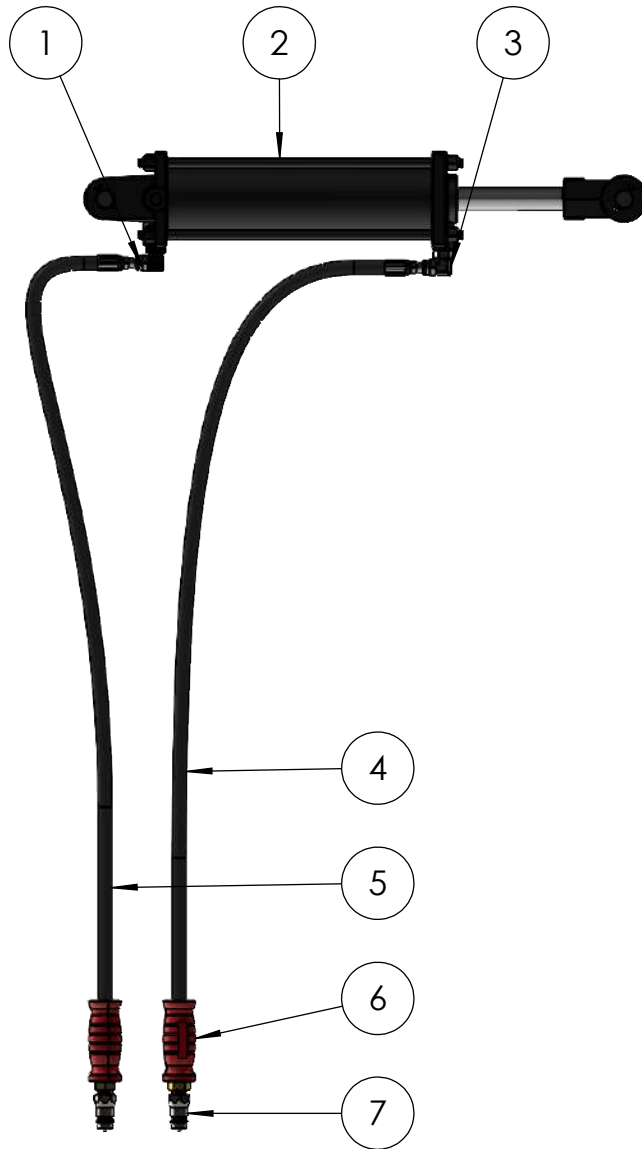
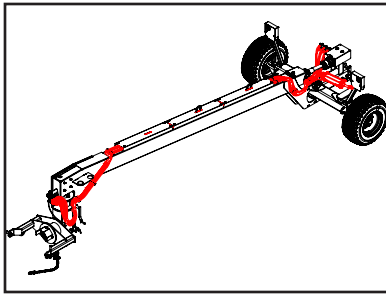
Item	Part #	Description	Reference #
1	R9940007	Yoke	55030-1000
2	N/A	Grease Zerk: 1/8" NPT	
3	KG900001	Cross Kit	03-15307
4	R9940006	Complete Connection Driveline	262-28383



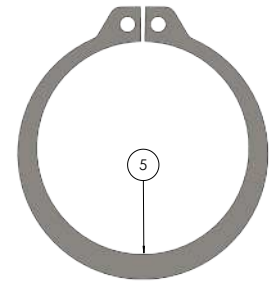
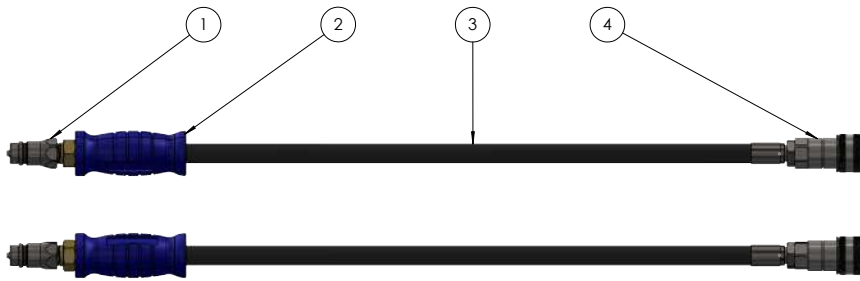
Item	Part #	Description	Reference #
1	R0430108	Lock Nut, Nylon: 5/8"-11	
2	R0130820	Bolt: 5/8"-11 x 2"	
3	WC007011	Driveline Bearing Mount Bracket	
4	R9940004	Transfer Shaft: 1-3/4" x 212"	
5	R1100008-02	Bearing: 1-3/4" bore, 4-Bolt Flange	UCF209-112D1
6	WC007018	Driveline Rear Bearing Bracket	



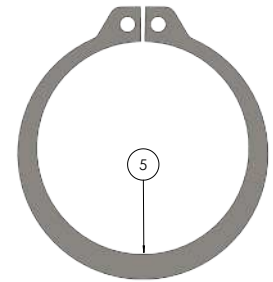
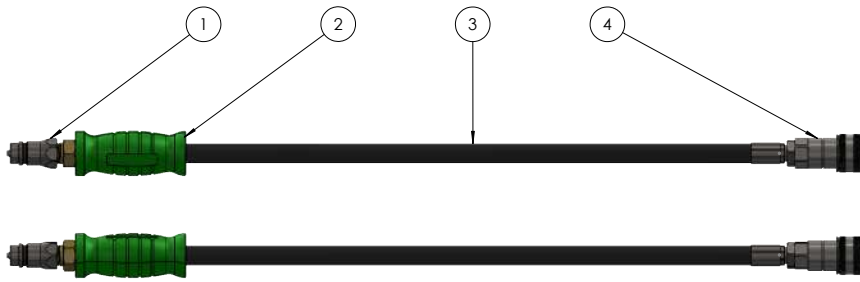
Item	Part #	Description	Reference #
1	R9940008	Yoke	55261-1841
2	R9940009	Center Housing	55251-1599
3	KG900001	Cross Kit	03-15307
4	R9902017	Inner Guard	96-28386
5	R9902015	Outer Guard	97-28386
*	R9940005	Complete Rear Driveline	260-28386



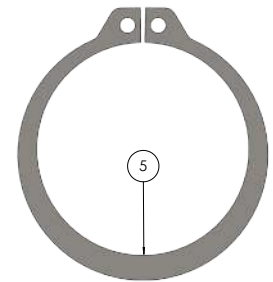
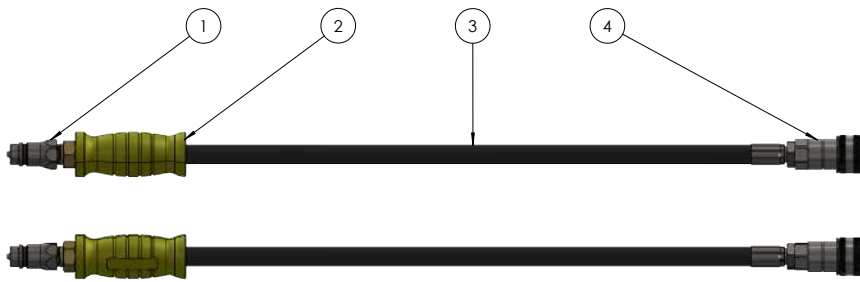
Item	Part #	Description	Seal Kit #
1	R1802045	Elbow, Restrictor, 90°: #6 MORFS - #8 MORB	
2	R1941201-01	Cylinder, Tie-Rod: 4" x 12"	KR100008
3	R1802007	Elbow, 90°: #6 MORFS - #8MORB	
4	X1310369	Hydraulic Hose:	
5	X1310384	Hydraulic Hose:	
6	R1899012	Grip, Hydraulic Hose: Red	
7	R1805001	Male Quick Connect: #8 FPT	



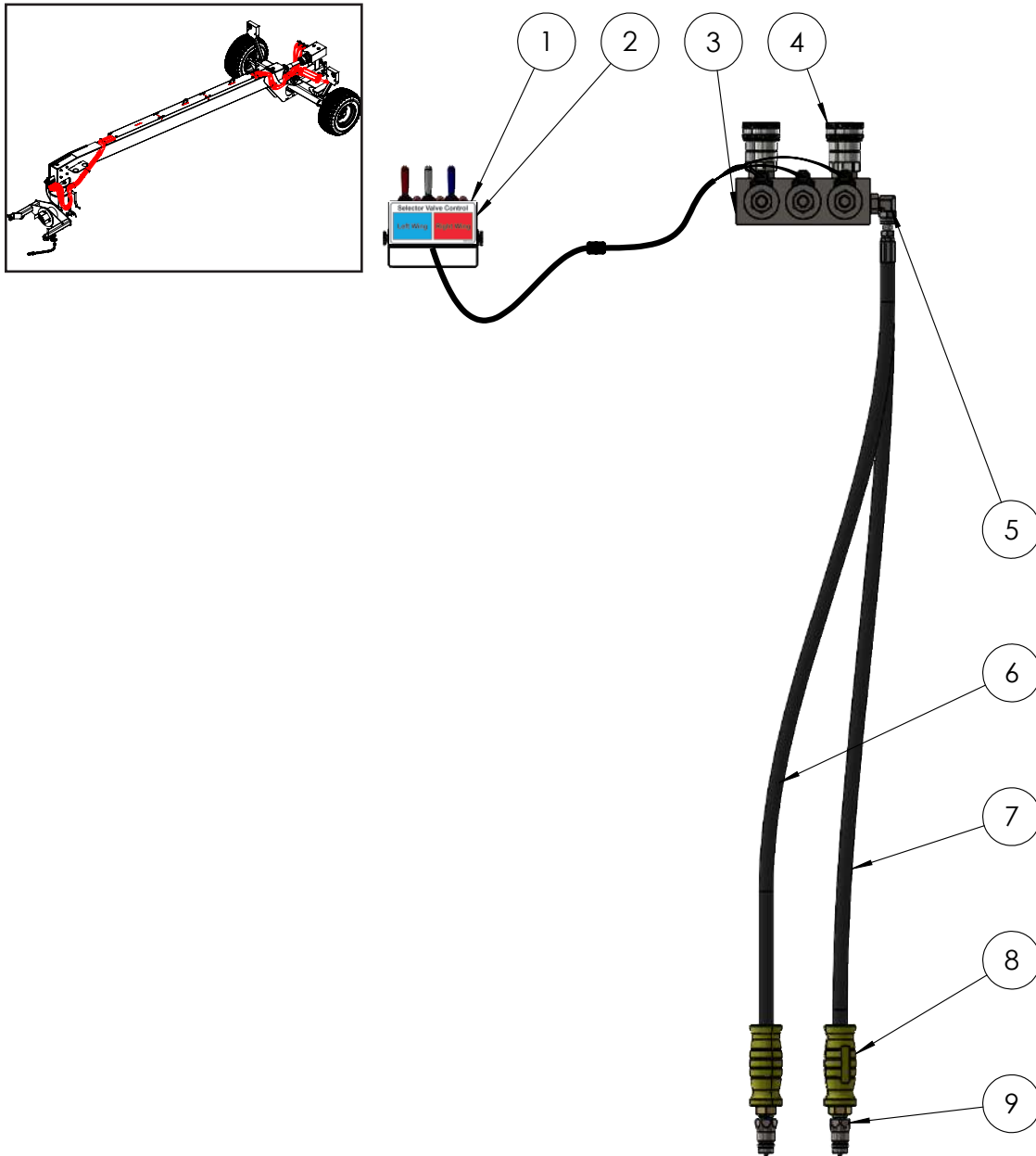
Item	Part #	Description
1	R1805001	Male Quick Connect
2	R1899010	Handle Grip: Blue
3	X1330384	32' Hydraulic Hose: #8MPT - #8 MPT
4	R1805004	Female Coupling
5	R1611801	Snap Ring: 1-3/16"



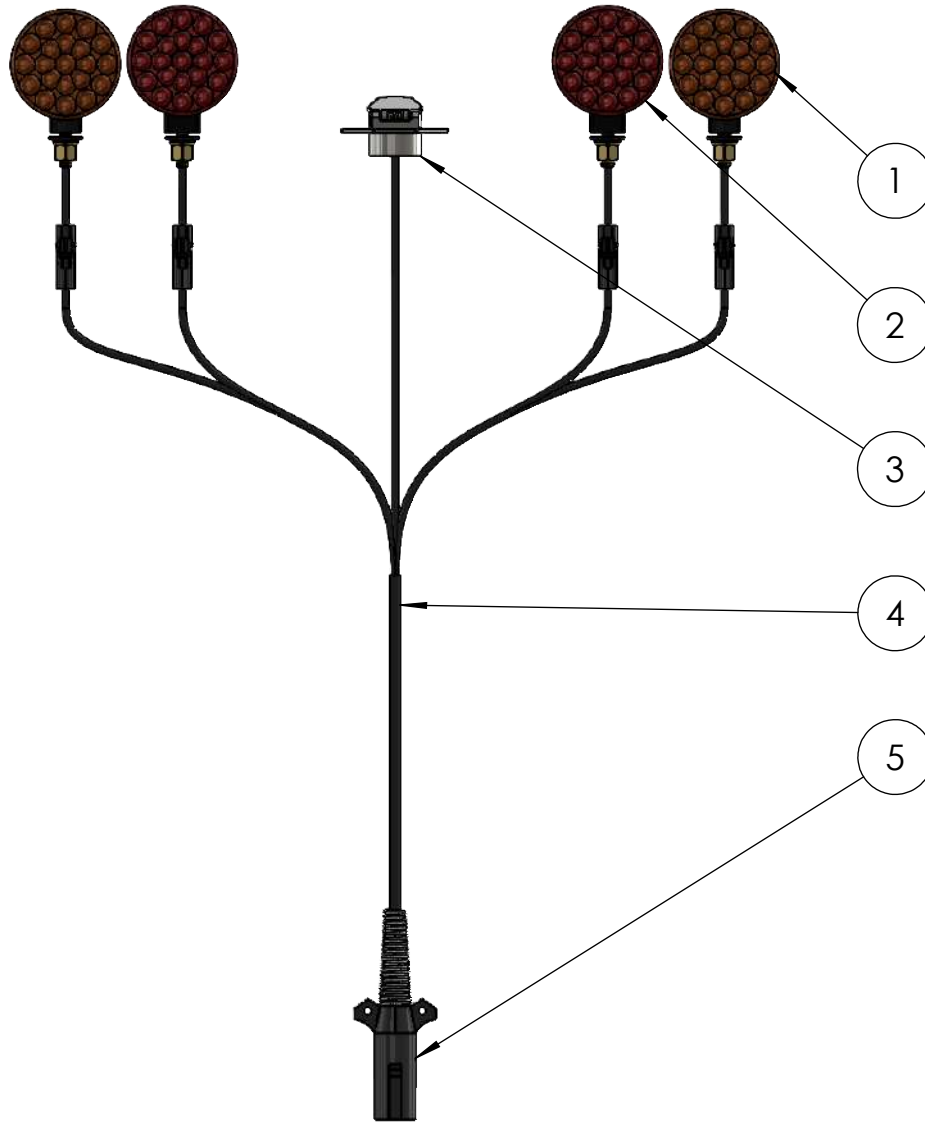
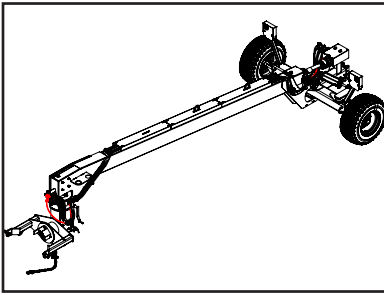
Item	Part #	Description
1	R1805001	Male Quick Connect
2	R1899011	Handle Grip: Green
3	X1330387	32'-3" Hydraulic Hose: #8MPT - #8 MPT
4	R1805004	Female Coupling
5	R1611801	Snap Ring: 1-3/16"



Item	Part #	Description
1	R1805001	Male Quick Connect
2	R1899013	Handle Grip: Yellow
3	X1330381	31'-9" Hydraulic Hose: #8MPT - #8 MPT
4	R1805004	Female Coupling
5	R1611801	Snap Ring: 1-3/16"



Item	Part #	Description
1	R1806030	Selector Valve Control
2	R9913146	Decal: Selector Valve
3	R1803014	Selector Valve
4	R1805004	Female Coupling
5	R1802007	Elbow, 90°: #6 MORFS - #8MORB
6	X1310381	31'-9" Hydraulic Hose: #8 MPT - #6 FORFSX
7	X1310381	31'-9" Hydraulic Hose: #8 MPT - #6 FORFSX
8	R1899013	Handle Grip: Yellow
9	R1805001	Male Quick Connect



Item	Part #	Description
1	R1701011	LED Light: Amber/Amber
2	R1701012	LED Light: Red
3	R1702043	Electrical Outlet: 7-Pin Round
4	R1701044	Wiring Harness
5	R1702044	Plug: 7-Pin Round





REVISION: 1.0

PART #: R9912028

RELEASED: JANUARY 6, 2024

Box 379 | 12159B Hwy 306

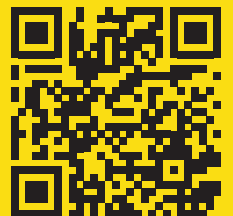
Plum Coulee, MB R0G 1R0

(888) 525-5892

info@mandako.com

www.mandako.com

MANDAKO AGRI MARKETING (2010) LTD.



Printed in Canada