

Wheel Hub Manufacturer Identification

**Use to help Identify Hub Manufacturer of 6 and 8
Bolt Hubs and Spindles for Parts Replacement**

Table Of Contents

6 Bolt Hub Identification.....	1-2
8 Bolt Hub Identification.....	3-6
Hub and Spindle Order Form.....	7

Manufacturer: CTD

6-Bolt Hub Assembly

Status: Available

Replacement: Multiple options. See equipment parts manual for correct part number or fill out order form on last page.

Shaft Diameter: 2

Shaft: Multiple part numbers depending on through bolt hole location. See Parts Manuals for correct number or fill out order form on last page.

Hub: R9905001-01

Bearing Kit: KB100001-11(Includes bearings, races, labyrinth seal)or KB100001-12(Includes brgs, races, labyrinth seal, washer, nut, cotter pin)

Dust Cap: R9906001

Critical Information Information: Hole location and shaft length are variable. If parts manual does not provide you with correct part number please fill out order form on last page.



Manufacturer: ADR

6-Bolt hub Assembly

Status: Available(Limited Stock) in Canada

Replacement: ADR 6-bolt Hub Assy.- Canada

CTD 6-Bolt Hub Assy.(R9903010)USA or Canada

Spindle Diameter: 2"

Spindle: R9903001

Hub: N/A(is replaceable with CTD hub-P/N R9905001-01 w/CTD dust cap R9906001- note dust caps are not interchangeable)

Bearing Kit: KB100001-11(Also works with CTD Hub)- Includes bearings, races, labyrinth seal

Dust Cap: R9906008(ADR)R9906001(CTD)

Critical Information: Require measurement of through bolt hole location. Please fill out order form(On last page)



Manufacturer: CTD

8-Bolt hub Assembly(With Studs)

Status: Available

Replacement: Multiple options. See equipment parts manual for correct part number or fill out order form on last page.

Shaft Diameter: Varies. Common sizes are 2", 2.480", 2.5"

Shaft: Special Order

Hub: Special Order

Bearing Kit: KB100002-11(Includes bearings, races, labyrinth seal)or KB100002-12(Includes brgs, races, labyrinth seal, washer, nut, cotter pin)

Dust Cap: R9906004

Critical Information: Shaft diameter and hole location are variable. If parts manual does not provide you with correct part number please fill out order form on last page.



Manufacturer: CTD

8-Bolt Hub Assembly(Without Studs)

Status: Not Available

Replacement: CTD Hub Assembly(With Studs and Lug Nut). Multiple options. See equipment parts manual for correct part number or fill out order form on last page.

Shaft Diameter: Varies. Common options are 2", 2.480", 2.5"

Shaft: Special Order

Hub: Special Order

Bearing Kit: KB100002-11(Includes bearings, races, labyrinth seal)or KB100002-12(Includes brgs, races, labyrinth seal, washer, nut, cotter pin)

Dust Cap: R9906004

Critical Information: Shaft diameter and hole location are variable. If parts manual does not provide you with correct part number please fill out order form on last page.



Manufacturer: ADR

8-Bolt hub Assembly

Status: Available(Limited Stock)

Replacement: ADR 8-bolt Hub Assembly(R9903015)

Spindle Diameter: 2.48"

Spindle: N/A

Hub: N/A

Bearing Kit: KB100002-11(Includes Brgs, Races, Labyrinth Seal)

Dust Cap: Special Order

Critical Information: Hole for through bolt is located 5.117" from face of hub(Or approx 4.5" from seal to center of hole). For hubs that differ from this please fill out hub/spindle order form on last page.



Manufacturer: Eldale Manufacturing

8-Bolt hub Assembly

Status: Available(Limited Stock)

Replacement: EM 8-bolt Hub Assembly(R9903014)

Spindle Diameter: 2"

Spindle: R9904009(Hardened shaft)

Hub: R9905008

Bearing Kit: Seal- R1300008, Inner Brg- R1100019, Inner Race- R1200007, Outer Brg- R1100003-01, Outer Race- R1200004-01

Dust Cap: R9906006

Critical Information: Require measurement of through bolt hole location. Please fill out order form(On last page)



Hub or Spindle Order Form

Please document measurements in A-C(Fig.1) or D-F(fig.2) and G,H
Email to parts@mandako.com

FIG. 1

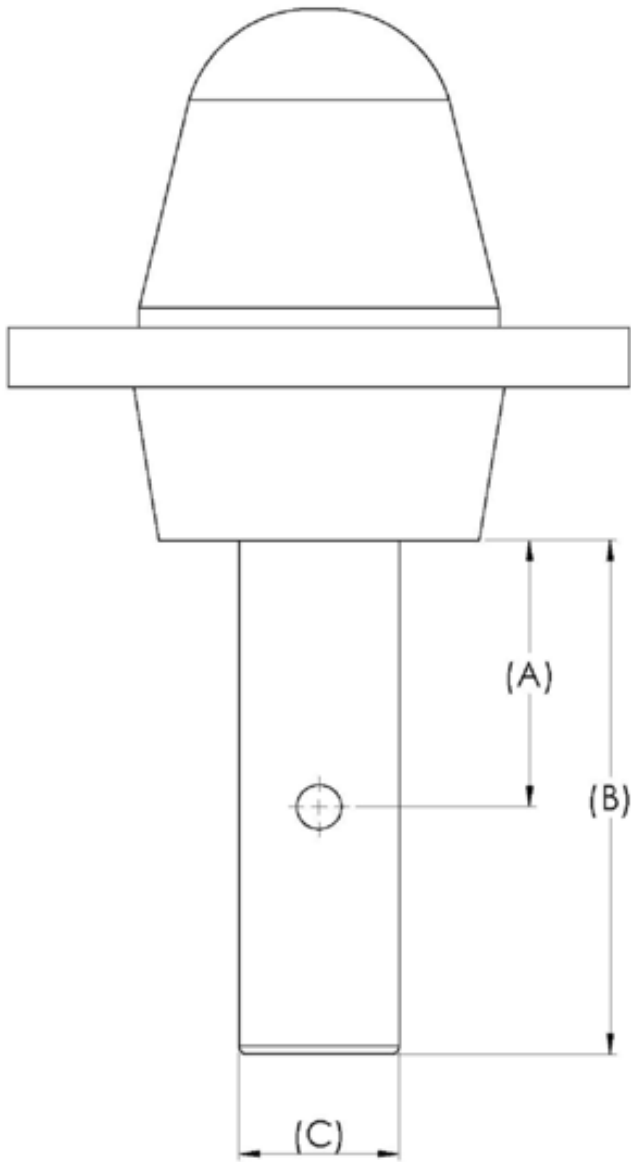
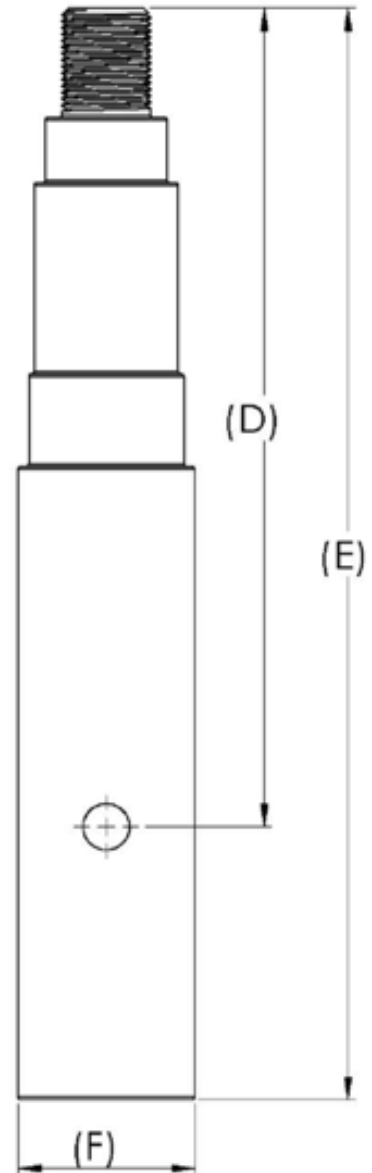


FIG. 2



A. _____

B. _____

C. _____

D. _____

E. _____

F. _____

G. Manufacturer (Casting Stamp) _____

H. 6 or 8 Bolt Hub _____