



MANDAKO

*30 Series Twister & Euro Twister
Parts Manual(2017-Current)*

Shown:

40' Twister

16' Euro Twister

(Other sizes similar)

Box 379 | 12159B Hwy 306 Plum Coulee, MB R0G 1R0

Toll-Free: 1-888-525-5892

Telephone: (204) 829-3092

Fax: (204) 829-7712

Email: parts@mandako.com / info@mandako.com

<http://www.mandako.com/partsmanuals>

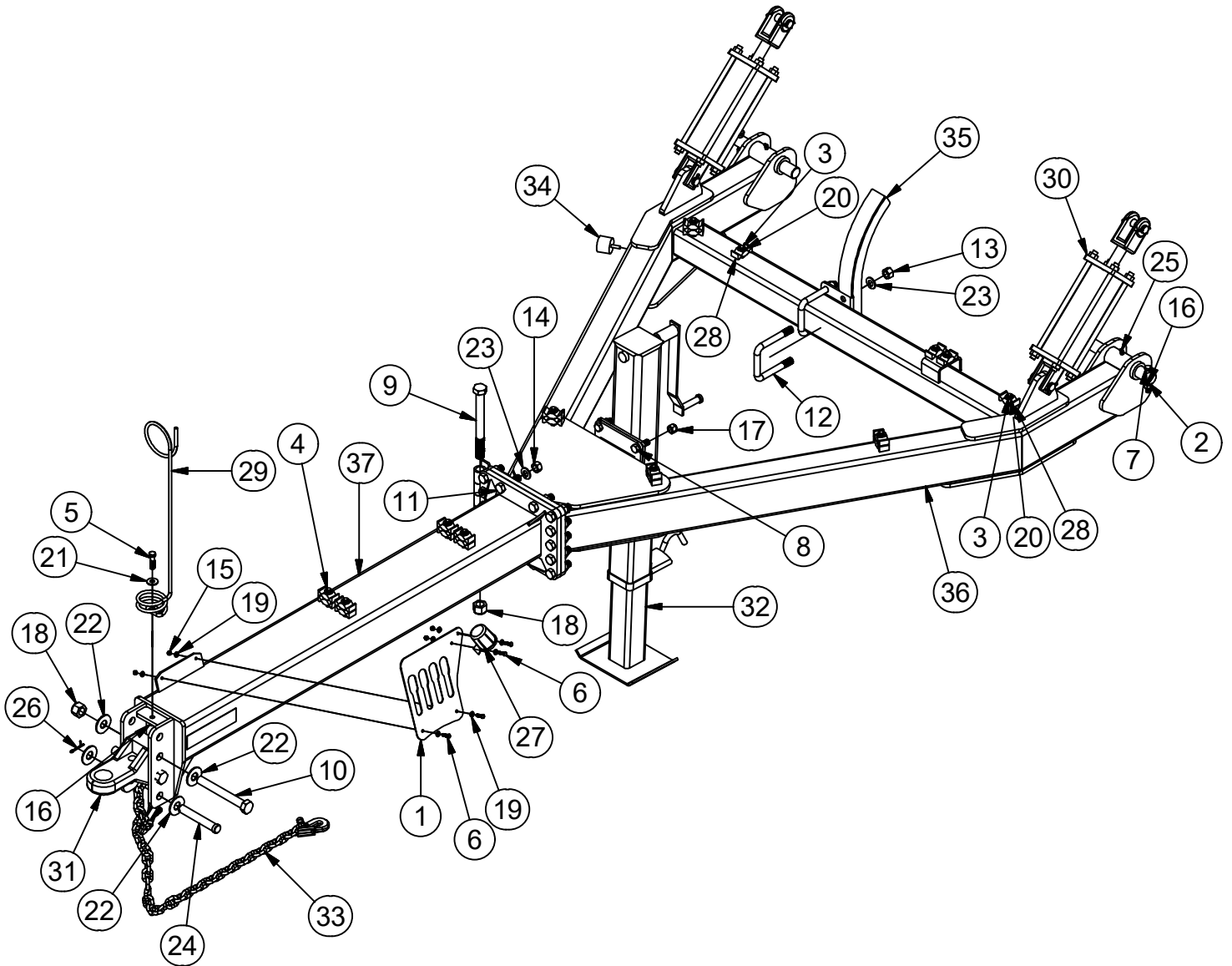
Twister

Folding Hitch Assembly.....	3
A-Frame Hitch Assembly.....	4
40' Main Frame: Right.....	5
40' Main Frame: Left.....	6
40' Wing Frame, Inner: Right.....	7
40' Wing Frame, Inner: Left.....	8
40' Wing Frame, Outer: Right.....	9
40' Wing Frame, Outer: Left.....	10
6' Coulter Bar Assemblies.....	11
8' Coulter Bar Assemblies.....	12
10' Coulter Bar Assemblies.....	13
Coulter Bars.....	14
10 Bolt Axle Assemblies.....	15
8 Bolt Axle Assemblies.....	16
6 Bolt Axle Assemblies.....	17
10 Bolt Hub Assemblies.....	18
8 Bolt Hub Assemblies.....	19
6 Bolt Hub Assemblies.....	20
Rocker Arm/Spindle Housing Options.....	21
Shank Body Assemblies.....	22
Coulter Hub Assembly.....	23
Shank Body/Shank Options.....	24
Coulter Blade Options.....	25
Depth Control Assembly.....	26
4' Rolling Basket Assembly.....	27
6' Rolling Basket Assembly.....	28
8' Rolling Basket Assembly.....	29
Rolling Basket Bearing Assembly.....	30
6' Harrow: 2 Row.....	31
6' Harrow: 3 Row.....	32
8' Harrow: 2 Row.....	33
8' Harrow: 3 Row.....	34
Tool Bar Gauge Assembly.....	35
Hydraulics: 40' Floating Hitch.....	36

<i>Hydraulics: 40' Rolling Basket</i>	37
<i>Hydraulics: 40' Front Tool Bar</i>	38
<i>Hydraulics: 40' Rear Tool Bar</i>	39
<i>Hydraulics: 40' Wheel Lift</i>	40
<i>Hydraulics: 40' Wing Lift</i>	41
<i>Electrical: 40' Light Kit</i>	42

Euro Twister

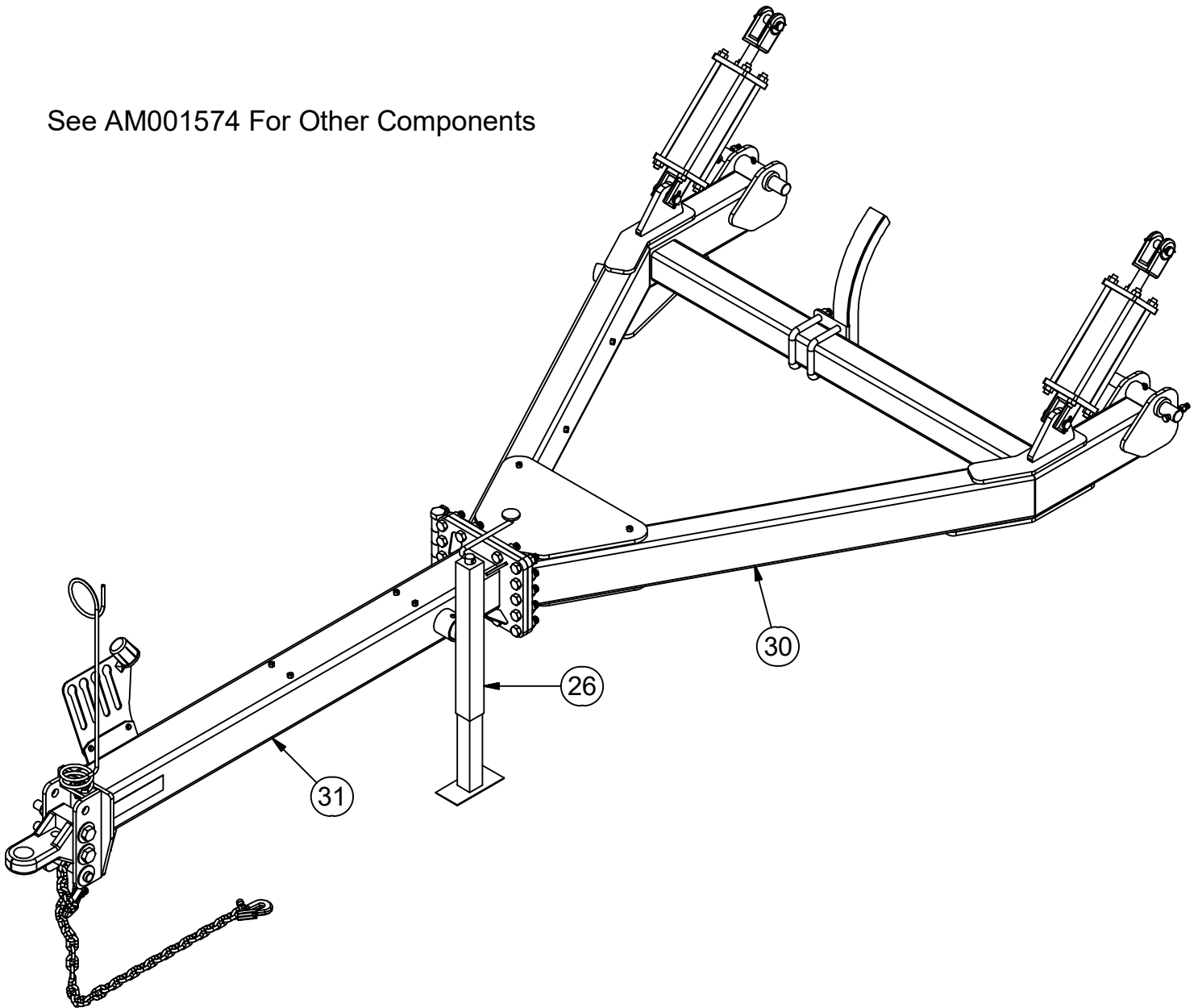
<i>Euro Twister: 16'</i>	43
<i>Euro Twister: 16' Main Frame</i>	44
<i>Euro Twister : 16' Wing Frame: Left</i>	45
<i>Euro Twister: 16' Wing Frame: Right</i>	46
<i>Euro Twister: 16' Axle Assembly</i>	47
<i>Euro Twister: 12' Axle Options</i>	48



For 32 Ft Twisters and Up

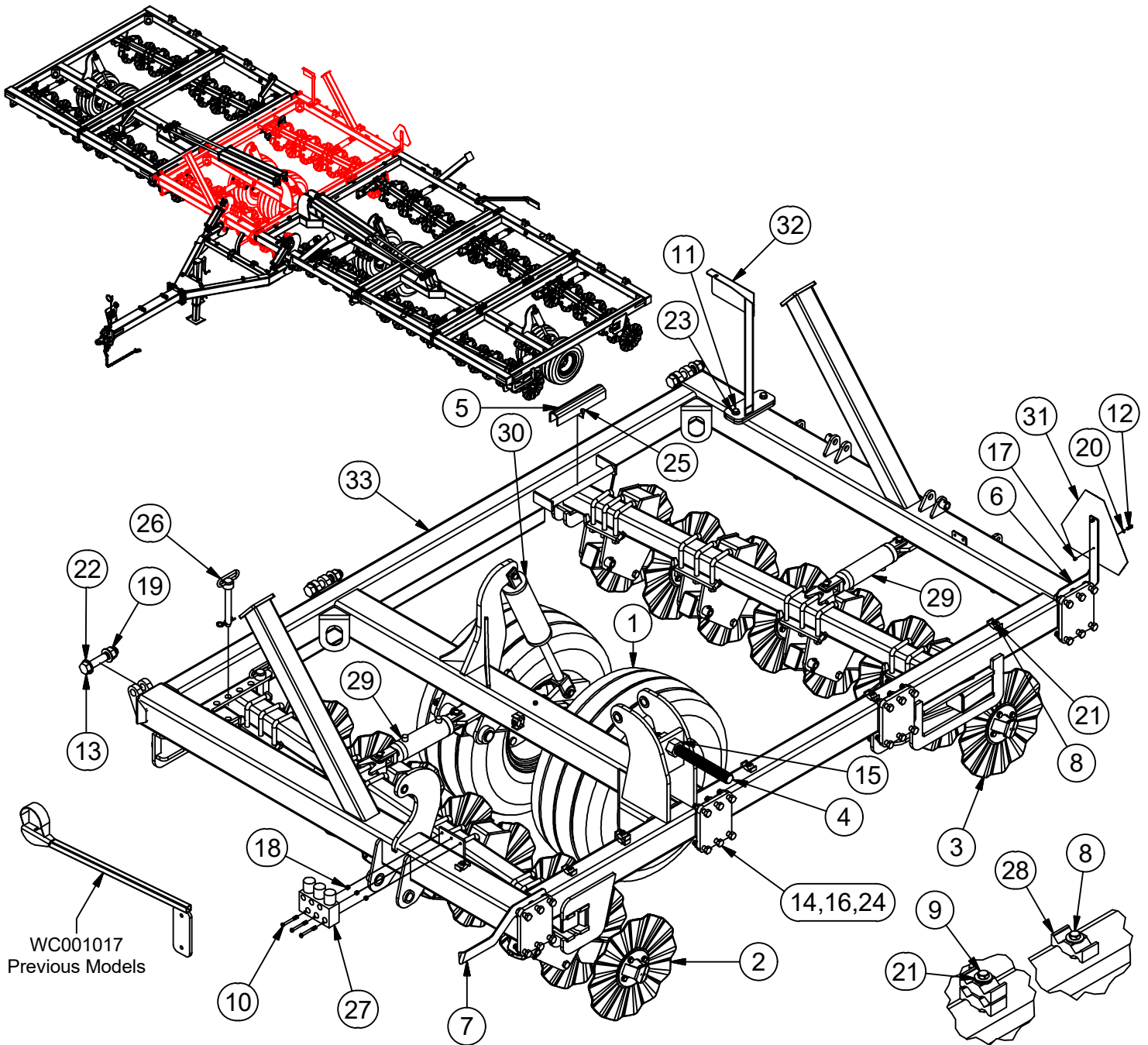
Parts List			Parts List		
ITEM	PART NUMBER	DESCRIPTION	ITEM	PART NUMBER	DESCRIPTION
1	PP010001	Hydraulic Coupler Storage Plate	20	R0510104	Washer, USS, 3/8" x 1.000"
2	PR151002	Pin, Hitch Mounting: 1-1/2"	21	R0510106	Washer, USS, 1/2" x 1.375"
3	R0110413	Bolt, Grade 5, 3/8"-16 x 1-1/4"	22	R0510111	Washer, USS, 1" x 2.500"
4	R0110423	Bolt, Grade 5, 3/8"-16 x 2-1/4"	23	R0610009	Lock Washer, 3/4", Medium
5	R0110620	Bolt, Grade 5, 1/2"-13 x 2"	24	R0810601	Pin, Clevis, Safety Chain: 1" x 6"
6	R0130210	Bolt, Grade 5, 1/4"-20 x 1"	25	R1502502	Zerk, Grease: 1/8"-27 NPT - 45°
7	R0130635	Bolt, Grade 8, 1/2"-13 x 3-1/2"	26	R1619251	Pin, Cotter: 3/16" x 1.5"
8	R0130820	Bolt, Grade 8, 5/8"-11 x 2"	27	R1701018	Protector, Electrical Plug 7 pin round
9	R0131110	Bolt, Grade 8, 1"-8 x 10"	28	R1804004	Clamp, 3/8" Hose (dual) - Large
10	R0131180	Bolt, Grade 8, 1"-8 x 8"	29	R1899001	Retainer, Hose, Spring loaded .375x4x30
11	R0140930	Bolt, Grade 8, 3/4"-16 x 3" Fine Thread	30	R1940801	Cylinder, Tie-rod: 4" x 8" - 18-1/4" Ret.
12	R0239458	U-Bolt, Gr. 8, 3/4"-10, 5.75"x4.06"x5.75"	31	R9901003	Hitch, Pintle, Cat 3 - 2 on 3" Holes
13	R0310109	Nut, Hex, Grade A, 3/4"-10	32	R9909001	Jack, Hitch, 15K Heavy Duty, Fixed Bolt On
14	R0340109	Nut, Grade 8, 3/4"-16 Fine Thread	33	R9910003	3/8" Chain, 1/2"x1/2"x7/16" Clevis link
15	R0410102	Nut, Nylon Insert Lock, Grade 2, 1/4"-20	34	R9911002	Mount Isolation 2" x 1-5/8"
16	R0410106	Nut, Nylon Insert Lock, Grade 2, 1/2"-13	35	Inquire	Levelling Gauge, Hitch
17	R0430108	Nut, Nylon Insert Lock, Grade 8, 5/8"-11	36	Inquire	A-Frame, Folding Hitch
18	R0430111	Nut, Nylon Insert Lock, Grade 8, 1"-8	37	Inquire	Tongue, Folding Hitch
19	R0510102	Washer, USS, 1/4" x 0.625"			

See AM001574 For Other Components

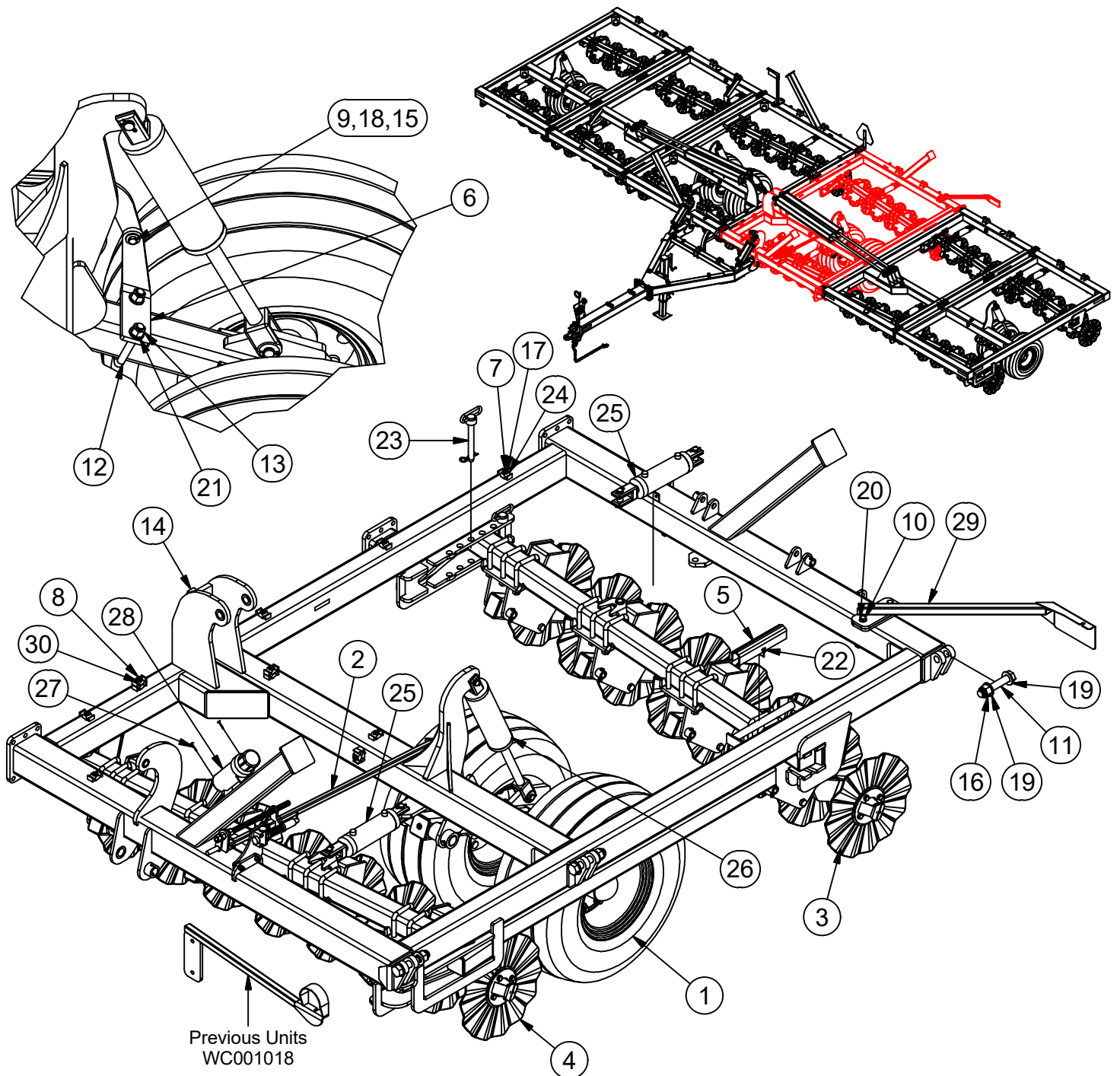


For 28 Ft Twisters and Down

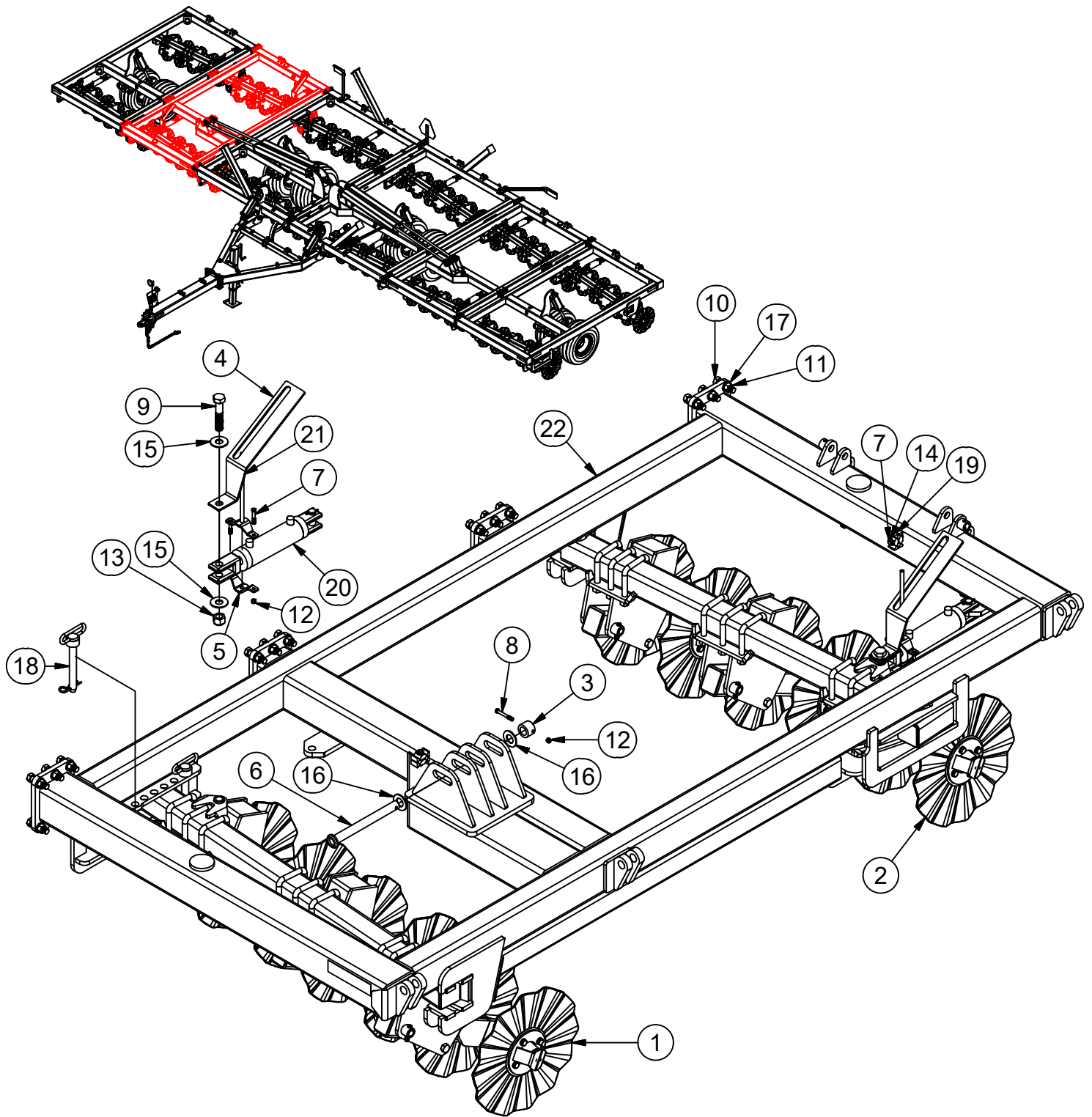
AM001575 Light Duty Hitch Parts List			AM001575 Light Duty Hitch Parts List		
ITEM	PART NUMBER	DESCRIPTION	ITEM	PART NUMBER	DESCRIPTION
1	PP010001	Hydraulic Coupler Storage Plate	17	R0510111	Washer, USS, 1" x 2.500"
2	PR151002	Pin, Hitch Mounting: 1-1/2"	18	R0610009	Lock Washer, 3/4", Medium
3	R0110620	Bolt, Grade 5, 1/2"-13 x 2"	19	R0810601	Pin, Clevis, Safety Chain: 1" x 6"
4	R0130210	Bolt, Grade 8, 1/4"-20 x 1"	20	R1502502	Zerk, Grease: 1/8"-27 NPT - 45°
5	R0130635	Bolt, Grade 8, 1/2"-13 x 3-1/2"	21	R1619251	Pin, Cotter: 3/16" x 1.5"
6	R0131180	Bolt, Grade 8, 1"-8 x 8"	22	R1701018	Protector, Electrical Plug 7 pin round
7	R01311A0	Bolt, Grade 8, 1"-8 x 10"	23	R1899001	Retainer, Hose, Spring loaded .375x4x30
8	R0140930	Bolt, Grade 8, 3/4"-16 x 3" Fine Thread	24	R1940801	Cylinder, Tie-rod: 4" x 8" - 18-1/4" Ret.
9	R0239458	U-Bolt, Gr. 8, 3/4"-10, 5.75"x4.06"x5.75"	25	R9901003	Hitch, Pintle, Cat 3 - 2 on 3" Holes
10	R0310109	Nut, Hex, Grade A, 3/4"-10	26	R9909002	Jack, Light Duty
11	R0340109	Nut, Grade 8, 3/4"-16 Fine Thread	27	R9910003	3/8" Chain, 1/2"x1/2"x7/16" Clevis link
12	R0410102	Nut, Nylon Insert Lock, Grade 2, 1/4"-20	28	R9911002	Mount Isolation 2" x 1-5/8"
13	R0410106	Nut, Nylon Insert Lock, Grade 2, 1/2"-13	29	Inquire	Levelling Gauge, Hitch
14	R0430111	Nut, Nylon Insert Lock, Grade 8, 1"-8	30	Inquire	Folding Hitch A-Frame
15	R0510102	Washer, USS, 1/4" x 0.625"	31	Inquire	Folding Hitch Tongue Frame - 6x6
16	R0510106	Washer, USS, 1/2" x 1.375"			



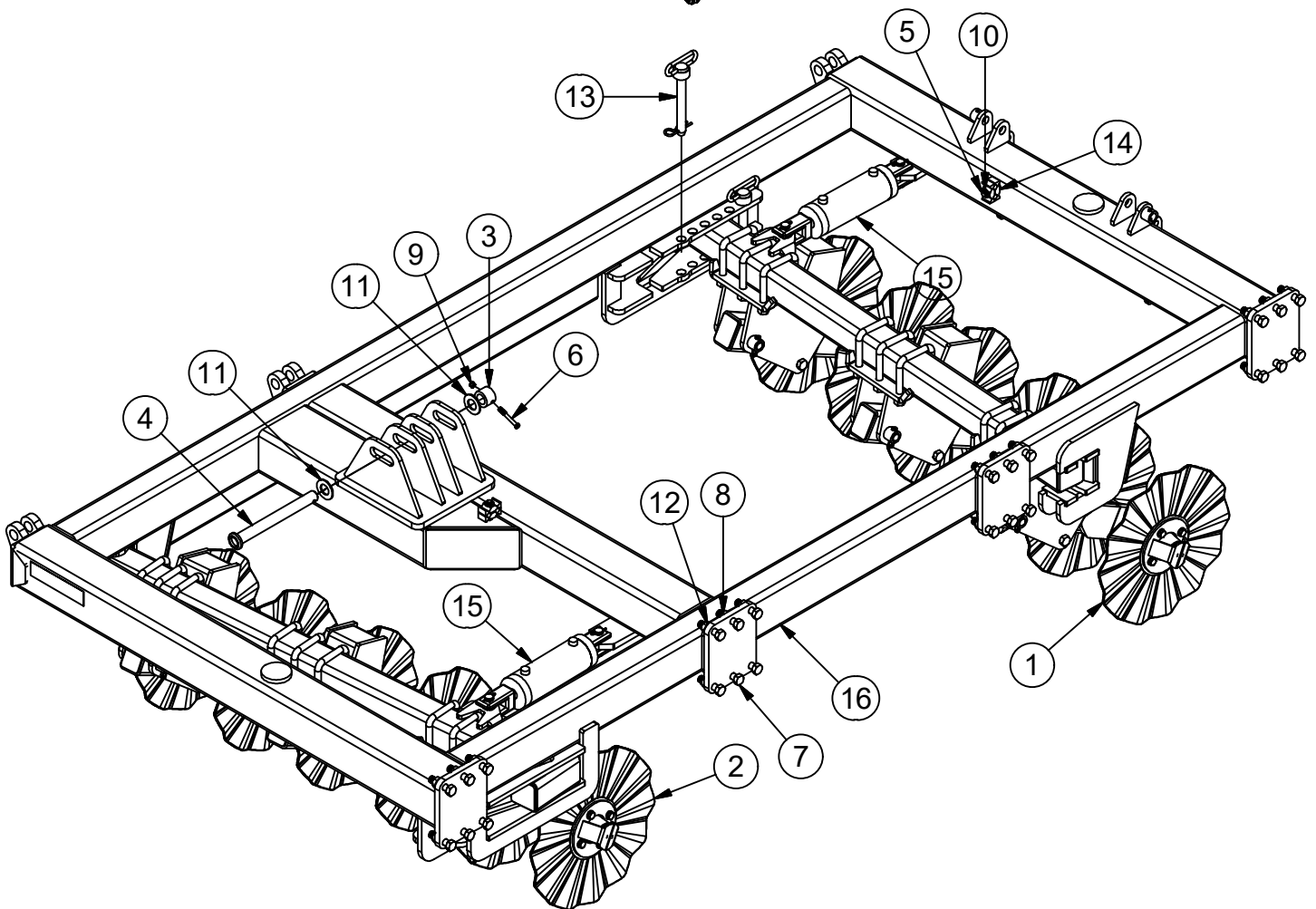
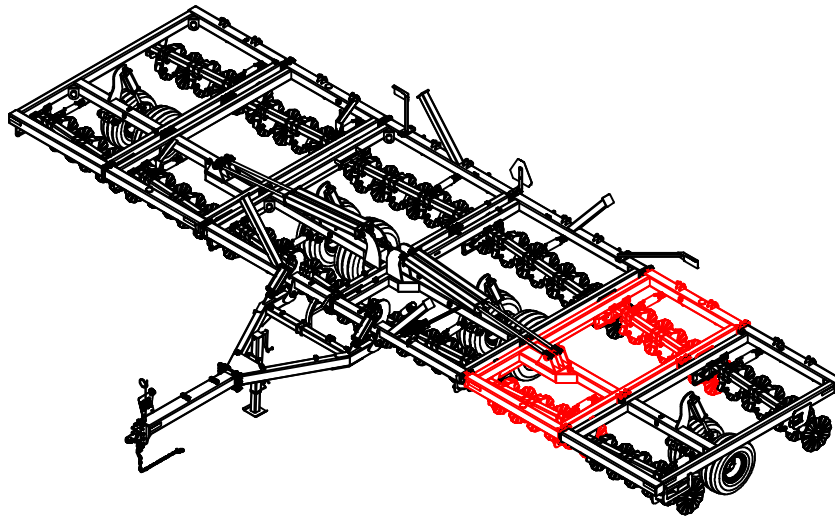
Assembly, Main, RH - 40'			Assembly, Main, RH - 40'		
ITEM	PART NUMBER	DESCRIPTION	ITEM	PART NUMBER	DESCRIPTION
1	Options:P14-20	Axle & Wheels, Floatation: 37"	18	R0410104	Nut, Nylon Insert Lock, Grade 2, 3/8"-16
2	Inquire	Assembly, Coulter Bar, RH: 8'	19	R0410113	Nut, Nylon Insert Lock, Grade 2, 1-1/4"-7
3	Inquire	Assembly, Coulter Bar, LH: 8'	20	R0510102	Washer, USS, 1/4" x 0.625"
4	PC181001	Rod, Threaded: 1-3/4" x 18"	21	R0510104	Washer, USS, 3/8" x 1.000"
5	PP031001	Stop, Cylinder, Safety	22	R0510213	Washer, SAE, 1-1/4" x 2.500"
6	Inquire	Bracket, SMV Emblem	23	R0610008	Lock Washer, 5/8", Medium
7	PP031509	Gauge, Floating Hitch	24	R0610009	Lock Washer, 3/4", Medium
8	R0110413	Bolt, Grade 5, 3/8"-16 x 1-1/4"	25	R0804281	Pin, Snapper, 3/8" x 3"
9	R0110423	Bolt, Grade 5, 3/8"-16 x 2-1/4"	26	R0810751	Pin, Hitch: 1" x 7-1/2" Red D-handle W/ Clip
10	R0110435	Bolt, Grade 5, 3/8"-16 x 3-1/2"	27	R1803007	Selector Valve. 1 - 3 ports w/Wiring & Box
11	R0110815	Bolt, Grade 5, 5/8"-11 x 1-1/2"	28	R1804004	Clamp, 3/8" Hose (dual) - Large
12	R0130210	Bolt, Grade 8, 1/4"-20 x 1"	29	R1930804	Cylinder, Reeph: 3" x 8" - 18.25" Ret.
13	R0131385	Bolt, Grade 8, 1-1/4"-7 x 8-1/2" (Cut to 7")	30	R1941207	Cylinder, Reeph: 4.25" x 12" - 22-1/4" Ret.
14	R0140930	Bolt, Grade 8, 3/4"-16 x 3" Fine Thread	31	R9913001	Sign, SMV Emblem w/ Aluminum backing
15	R0310116	Nut, Grade A/5, 1-3/4"-5"	32	Inquire	Rear Light Bracket, Outer - RH
16	R0340109	Nut, Grade 8, 3/4"-16 Fine Thread	33	Inquire	Frame, Main, 40, RH: 8'
17	R0410102	Nut, Nylon Insert Lock, Grade 2, 1/4"-20			



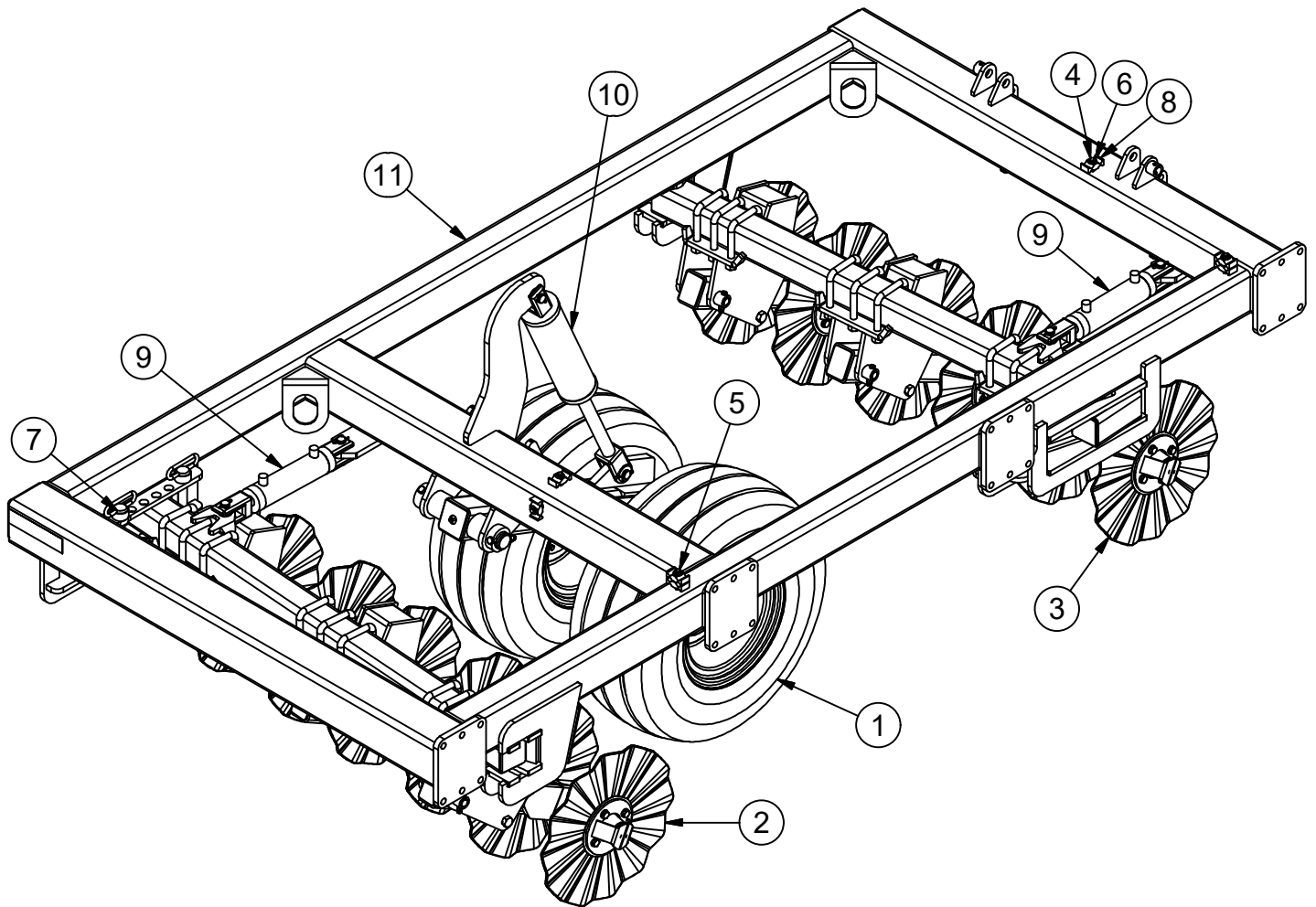
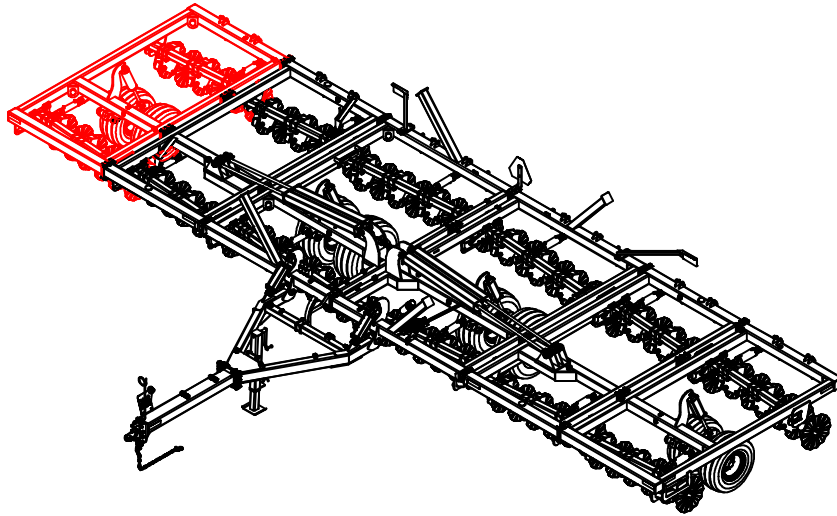
Parts List			Parts List		
ITEM	PART NUMBER	DESCRIPTION	ITEM	PART NUMBER	DESCRIPTION
1	Options:P14-20	Axle & Wheels, Floatation: 37"	16	R0410113	Nut, Nylon Insert Lock, Grade 2, 1-1/4"-7
2	Inquire	Assembly, Depth Control	17	R0510104	Washer, USS, 3/8" x 1.000"
3	Inquire	Assembly, Coulter Bar, RH: 8'	18	R0510106	Washer, USS, 1/2" x 1.375"
4	Inquire	Assembly, Coulter Bar, LH: 8'	19	R0510213	Washer, SAE, 1-1/4" x 2.500"
5	PP031001	Stop, Cylinder, Safety	20	R0610008	Lock Washer, 5/8", Medium
6	Inquire	Axle Bracket, Depth Control	21	R0610009	Lock Washer, 3/4", Medium
7	R0110413	Bolt, Grade 5, 3/8"-16 x 1-1/4"	22	R0804281	Pin, Snapper, 3/8" x 3"
8	R0110423	Bolt, Grade 5, 3/8"-16 x 2-1/4"	23	R0810751	Pin, Hitch: 1" x 7-1/2" Red D-handle W/ Clip
9	R0110620	Bolt, Grade 5, 1/2"-13 x 2"	24	R1804004	Clamp, 3/8" Hose (dual) - Large
10	R0110815	Bolt, Grade 5, 5/8"-11 x 1-1/2"	25	R1930805	Cylinder, Reeph: 3.25" x 8" - 18.25" Ret.
11	R0131385	Bolt, Grade 8, 1-1/4"-7 x 8-1/2" (Cut to 7")	26	R1941208	Cylinder, Reeph: 4.50" x 12" - 22-1/4" Ret.
12	R0239458	U-Bolt, Gr. 8, 3/4"-10, 5.75"x4.06"x5.75"	27	R2000000	#12 x 1-1/2" Self-Drilling Screw
13	R0310109	Nut, Hex, Grade A, 3/4"-10	28	R9912001	Canister, Manual, Lg 12" x 3-1/4"
14	R0310116	Nut, Grade A/5, 1-3/4"-5"	29	Inquire	Rear Light Bracket, Outer - LH
15	R0410106	Nut, Nylon Insert Lock, Grade 2, 1/2"-13	30	Inquire	Main Frame, 40', LH: 8'



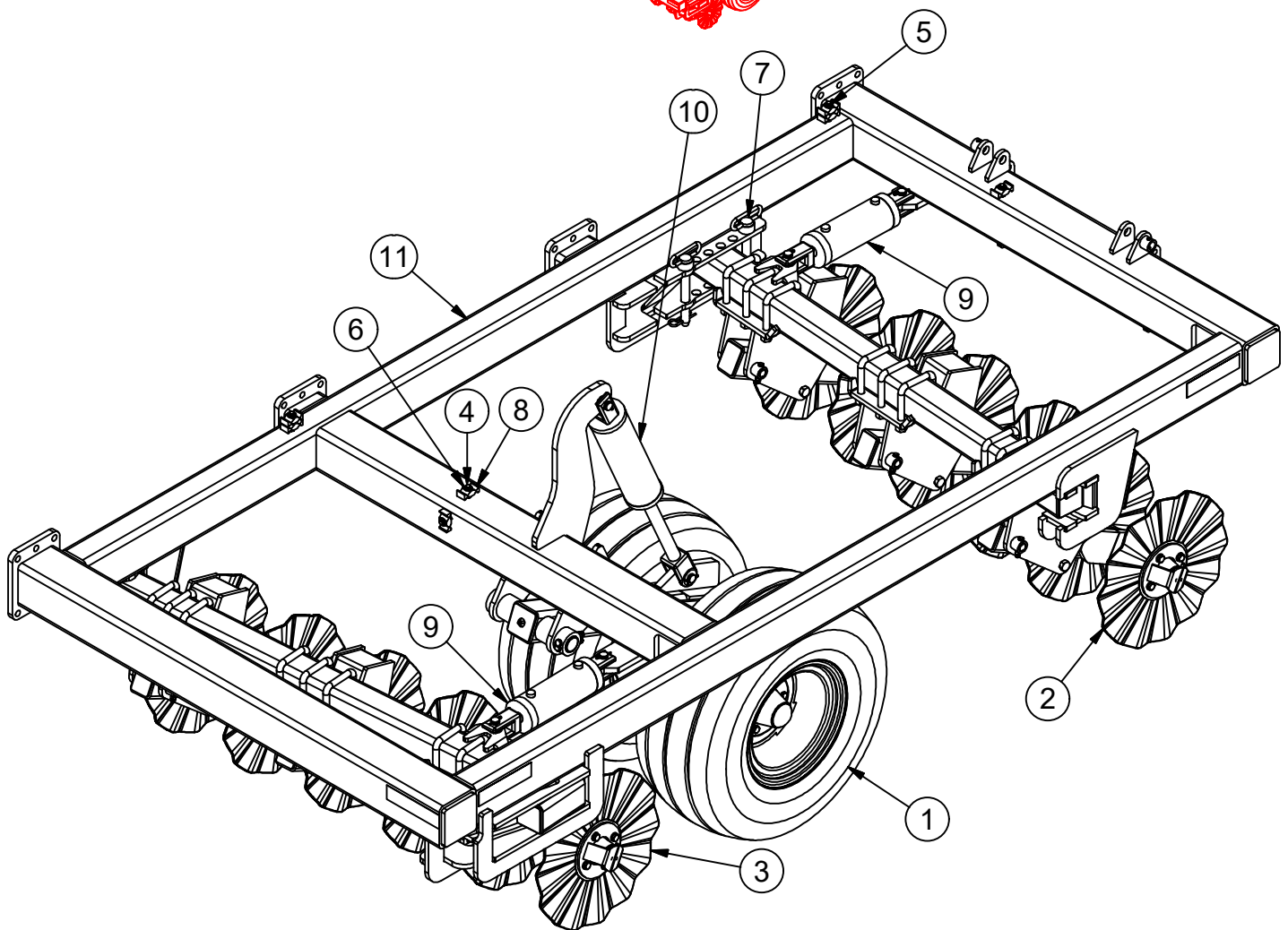
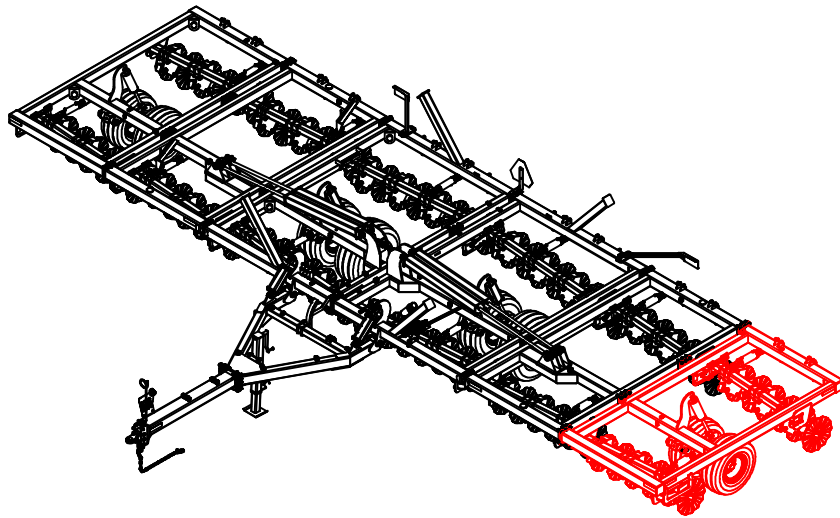
Parts List			Parts List		
ITEM	PART NUMBER	DESCRIPTION	ITEM	PART NUMBER	DESCRIPTION
1	Inquire	Assembly, Coulter Bar, RH: 6'	12	R0410104	Nut, Nylon Insert Lock, Grade 2, 3/8"-16
2	Inquire	Assembly, Coulter Bar, LH: 6'	13	R0410111	Nut, Nylon Insert Lock, Grade 2, 1"-8
3	PB201003	Bushing, Wing Cylinder Pin	14	R0510104	Washer, USS, 3/8" x 1.000"
4	PP031506	Gauge, Tool Bar Angle	15	R0510111	Washer, USS, 1" x 2.500"
5	PP031507	Mount Bracket, Indicator	16	R0510213	Washer, SAE, 1-1/4" x 2.500"
6	PR131001	Cylinder Pin, Wing Lift	17	R0610009	Lock Washer, 3/4", Medium
7	R0110423	Bolt, Grade 5, 3/8"-16 x 2-1/4"	18	R0810751	Pin, Hitch: 1" x 7-1/2" Red D-handle W/ Clip
8	R0110430	Bolt, Grade 5, 3/8"-16 x 3"	19	R1804004	Clamp, 3/8" Hose (dual) - Large
9	R0131150	Bolt, Grade 8, 1"-8 x 5"	20	R1920802	Cylinder, Reph: 2.75" x 8" - 18.25" Ret.
10	R0140930	Bolt, Grade 8, 3/4"-16 x 3" Fine Thread	21	Inquire	Rod Bracket, Indicator
11	R0340109	Nut, Grade 8, 3/4"-16 Fine Thread	22	Inquire	Frame, Wing, Inner, RH: 6'



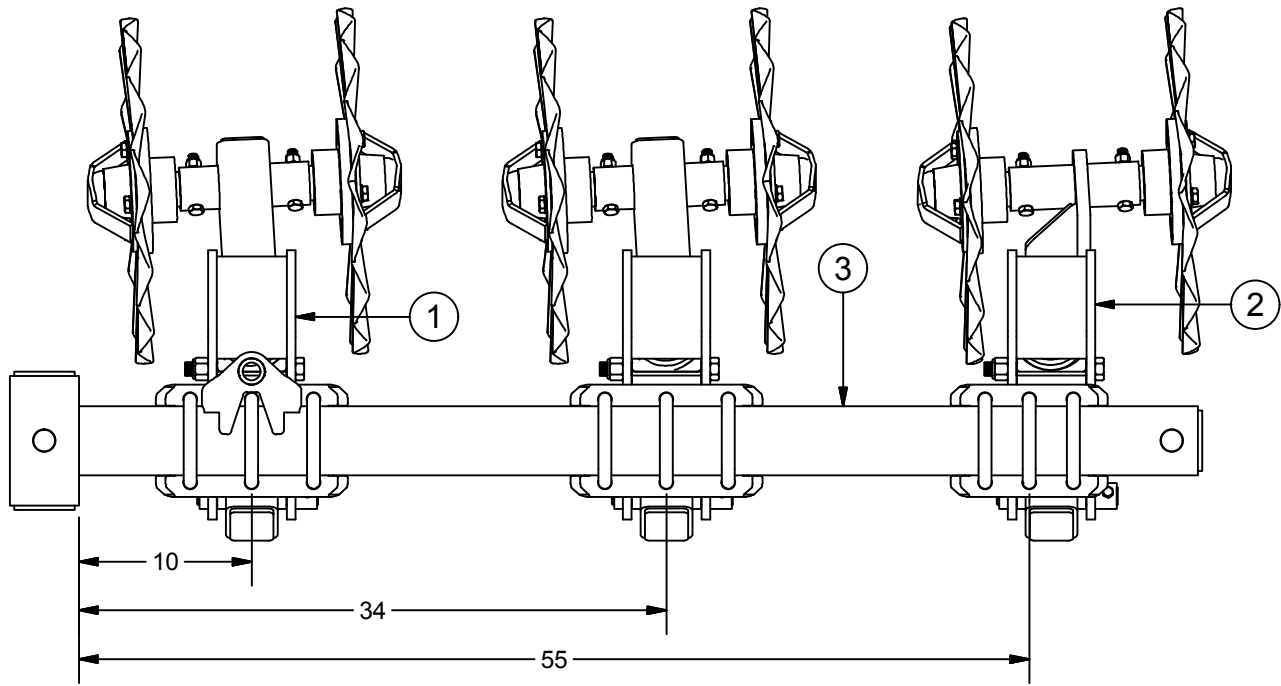
Parts List			Parts List		
ITEM	PART NUMBER	DESCRIPTION	ITEM	PART NUMBER	DESCRIPTION
1	Inquire	Assembly, Coulter Bar, RH: 6'	9	R0410104	Nut, Nylon Insert Lock, Grade 2, 3/8"-16
2	Inquire	Assembly, Coulter Bar, LH: 6'	10	R0510104	Washer, USS, 3/8" x 1.000"
3	PB201003	Bushing, Wing Cylinder Pin	11	R0510213	Washer, SAE, 1-1/4" x 2.500"
4	PR131001	Cylinder Pin, Wing Lift	12	R0610009	Lock Washer, 3/4", Medium
5	R0110423	Bolt, Grade 5, 3/8"-16 x 2-1/4"	13	R0810751	Pin, Hitch: 1" x 7-1/2" Red D-handle W/ Clip
6	R0110430	Bolt, Grade 5, 3/8"-16 x 3"	14	R1804004	Clamp, 3/8" Hose (dual) - Large
7	R0140930	Bolt, Grade 8, 3/4"-16 x 3" Fine Thread	15	R1930806	Cylinder, Repl: 3.5" x 8 - 18.25" Ret.
8	R0340109	Nut, Grade 8, 3/4"-16 Fine Thread	16	Inquire	Frame, Wing, Inner, LH: 6'



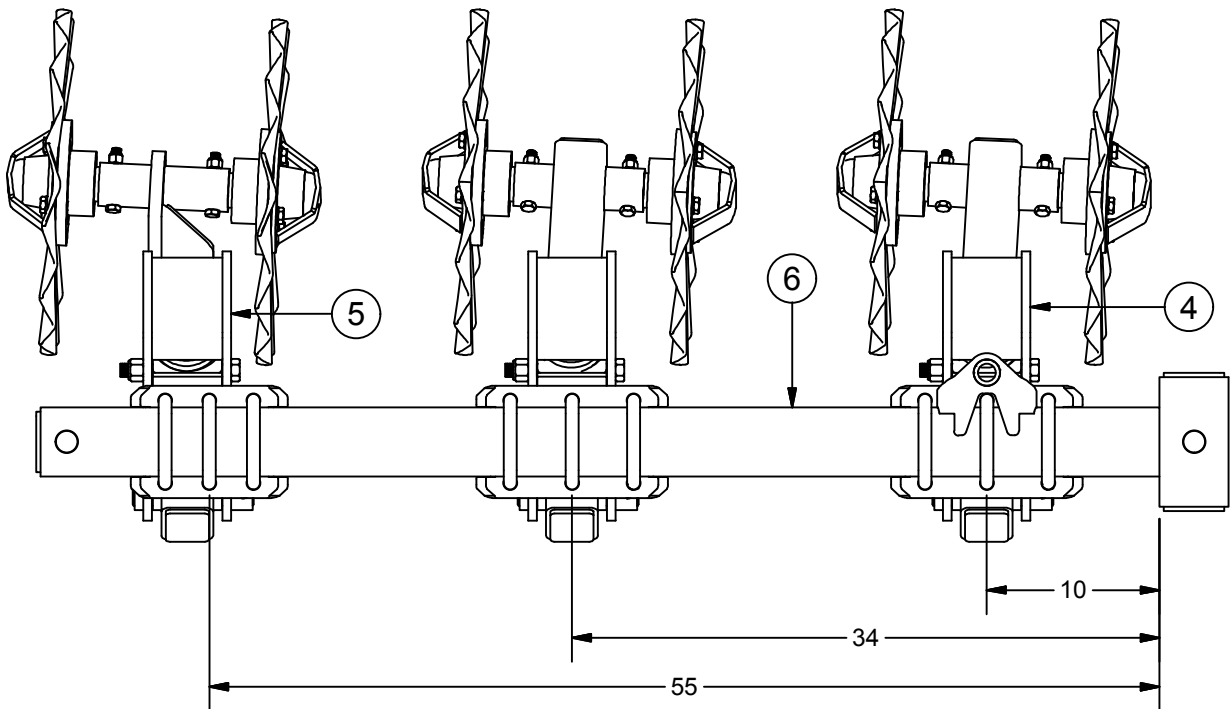
Parts List			Parts List		
ITEM	PART NUMBER	DESCRIPTION	ITEM	PART NUMBER	DESCRIPTION
1	Options:P14-20	Assembly, Axle & Wheels: 6 Bolt	7	R0810751	Pin, Hitch: 1" x 7-1/2" Red D-handle W/ Clip
2	Inquire	Assembly, Coulter Bar, RH: 6'	8	R1804004	Clamp, 3/8" Hose (dual) - Large
3	Inquire	Assembly, Coulter Bar, LH: 6'	9	R1920801	Cylinder, Reph: 2.5" x 8" - 18.25" Ret.
4	R0110413	Bolt, Grade 5, 3/8"-16 x 1-1/4"	10	R1941206	Cylinder, Reph: 4" x 12" - 22-1/4" Ret.
5	R0110423	Bolt, Grade 5, 3/8"-16 x 2-1/4"	11	Inquire	Frame, Wing, Outer, RH: 6'
6	R0510104	Washer, USS, 3/8" x 1.000"			



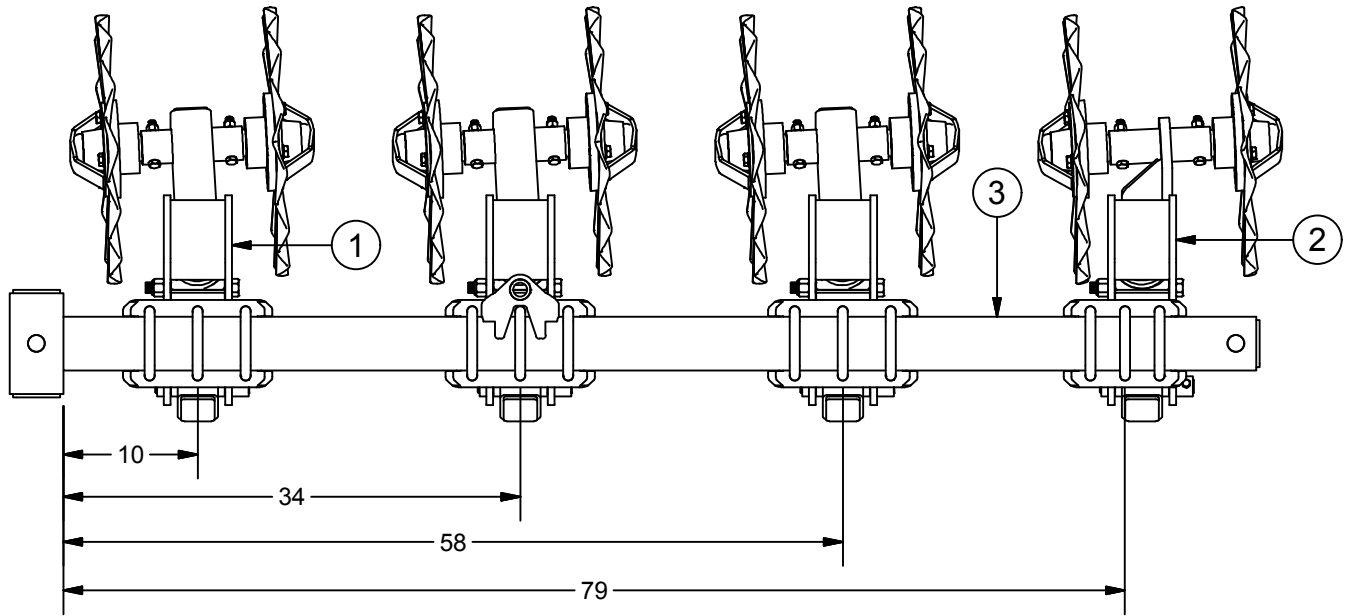
Parts List			Parts List		
ITEM	PART NUMBER	DESCRIPTION	ITEM	PART NUMBER	DESCRIPTION
1	Options:P14-20	Assembly, Axle & Wheels: 6 Bolt	7	R0810751	Pin, Hitch: 1" x 7-1/2" Red D-handle W/ Clip
2	Inquire	Assembly, Coulters Bar, RH: 6'	8	R1804004	Clamp, 3/8" Hose (dual) - Large
3	Inquire	Assembly, Coulters Bar, LH: 6'	9	R1930809	Cylinder, Reprh: 3.75" x 8" - 18.25" Ret.
4	R0110413	Bolt, Grade 5, 3/8"-16 x 1-1/4"	10	R1941205	Cylinder, Reprh: 3.75" x 12" - 22-1/4" Ret.
5	R0110423	Bolt, Grade 5, 3/8"-16 x 2-1/4"	11	Inquire	Frame, Wing, Outer, LH: 6'
6	R0510104	Washer, USS, 3/8" x 1.000"			



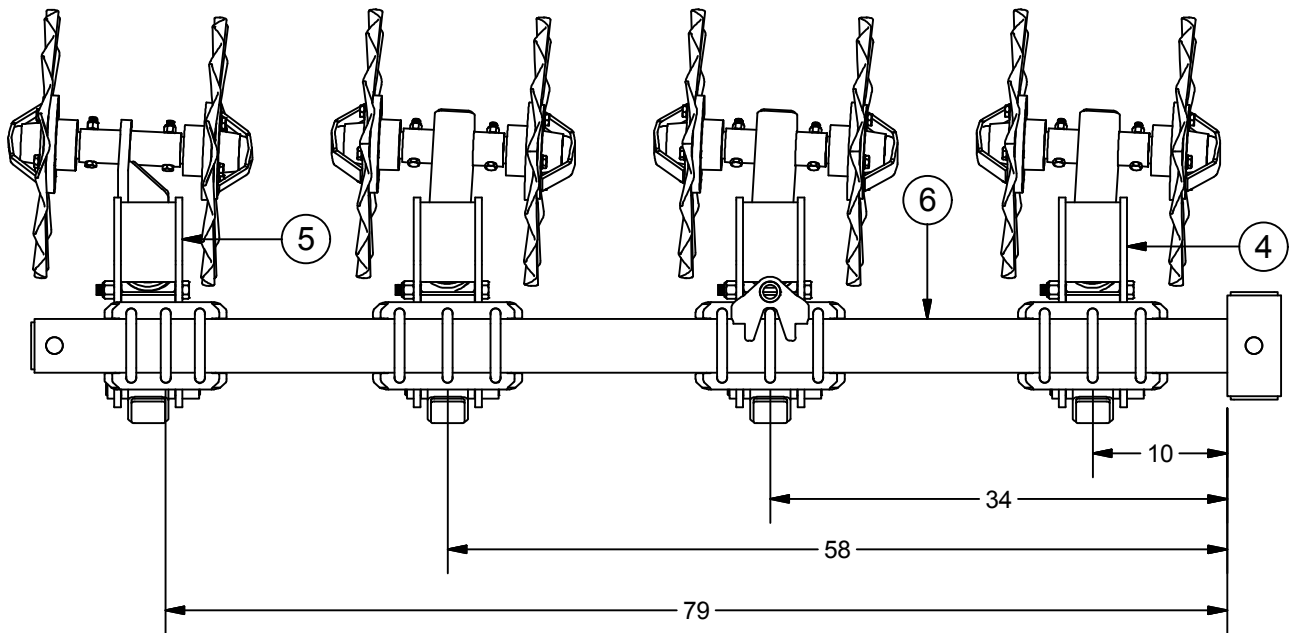
AC001551 Parts List			AC001551 Parts List		
ITEM	PART NUMBER	DESCRIPTION	ITEM	PART NUMBER	DESCRIPTION
1	Inquire	Assembly, Shank: Right	3	Inquire	Bar, Coulter, RH: 6'
2	Inquire	Assembly, Shank, Offset: Right			



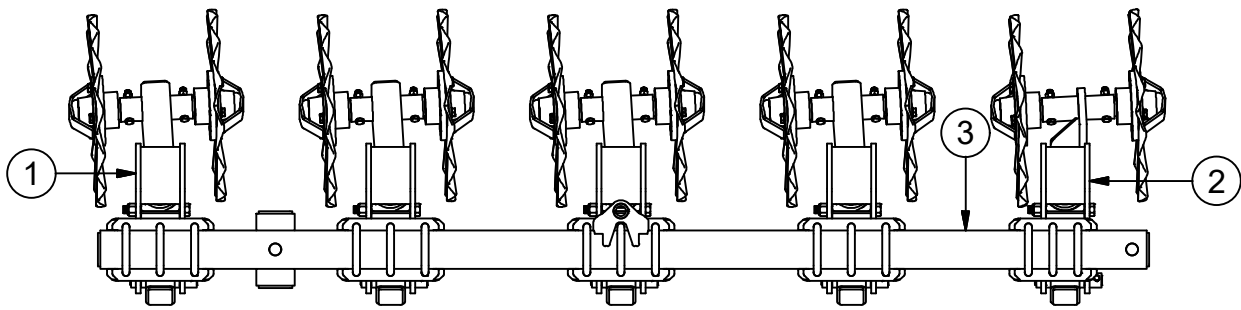
AC001552 Parts List			AC001552 Parts List		
ITEM	PART NUMBER	DESCRIPTION	ITEM	PART NUMBER	DESCRIPTION
4	AC001567	Assembly, Shank: Left	6	WC001552	Bar, Coulter, LH: 6'
5	AC001569	Assembly, Shank, Offset: Left			



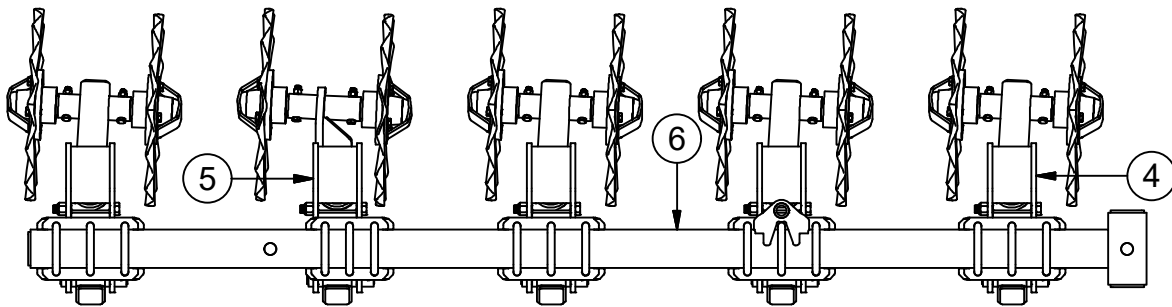
AC001553 Parts List			AC001553 Parts List		
ITEM	PART NUMBER	DESCRIPTION	ITEM	PART NUMBER	DESCRIPTION
1	Inquire	Assembly, Shank: Right	3	Inquire	Bar, Coulters, RH: 8'
2	Inquire	Assembly, Shank, Offset: Right			



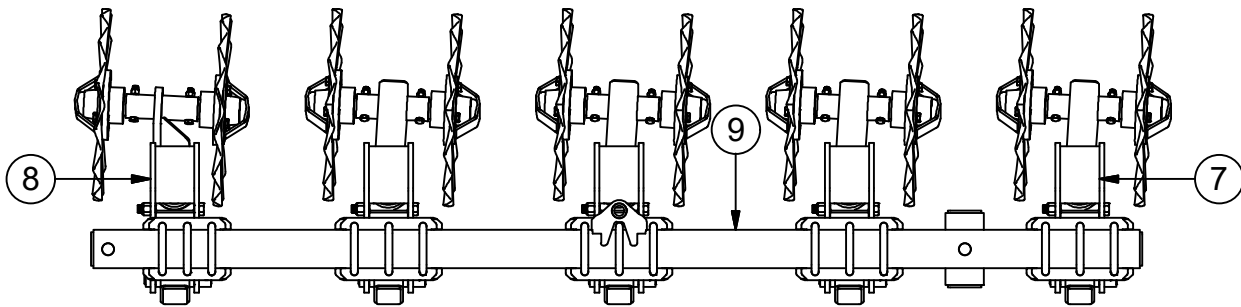
AC001554 Parts List			AC001554 Parts List		
ITEM	PART NUMBER	DESCRIPTION	ITEM	PART NUMBER	DESCRIPTION
4	Inquire	Assembly, Shank: Left	6	Inquire	Bar, Coulters, LH: 8'
5	Inquire	Assembly, Shank, Offset: Left			



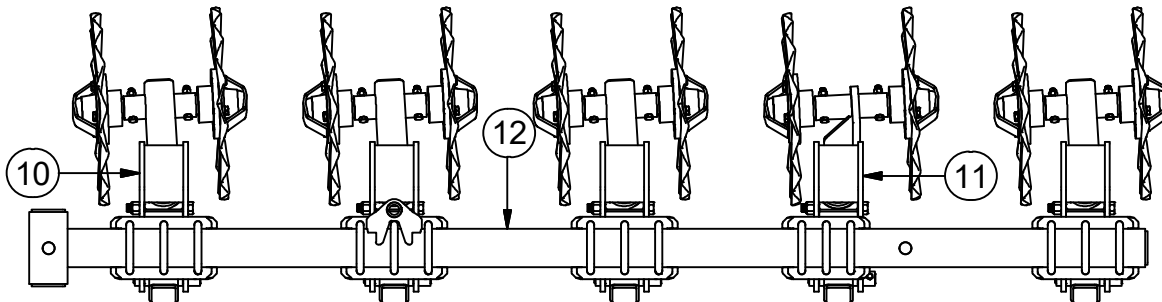
Parts List			Parts List		
ITEM	PART NUMBER	DESCRIPTION	ITEM	PART NUMBER	DESCRIPTION
1	Inquire	Assembly, Shank: Right	3	Inquire	Bar, Coulters, RF: 10'
2	Inquire	Assembly, Shank, Offset: Right			



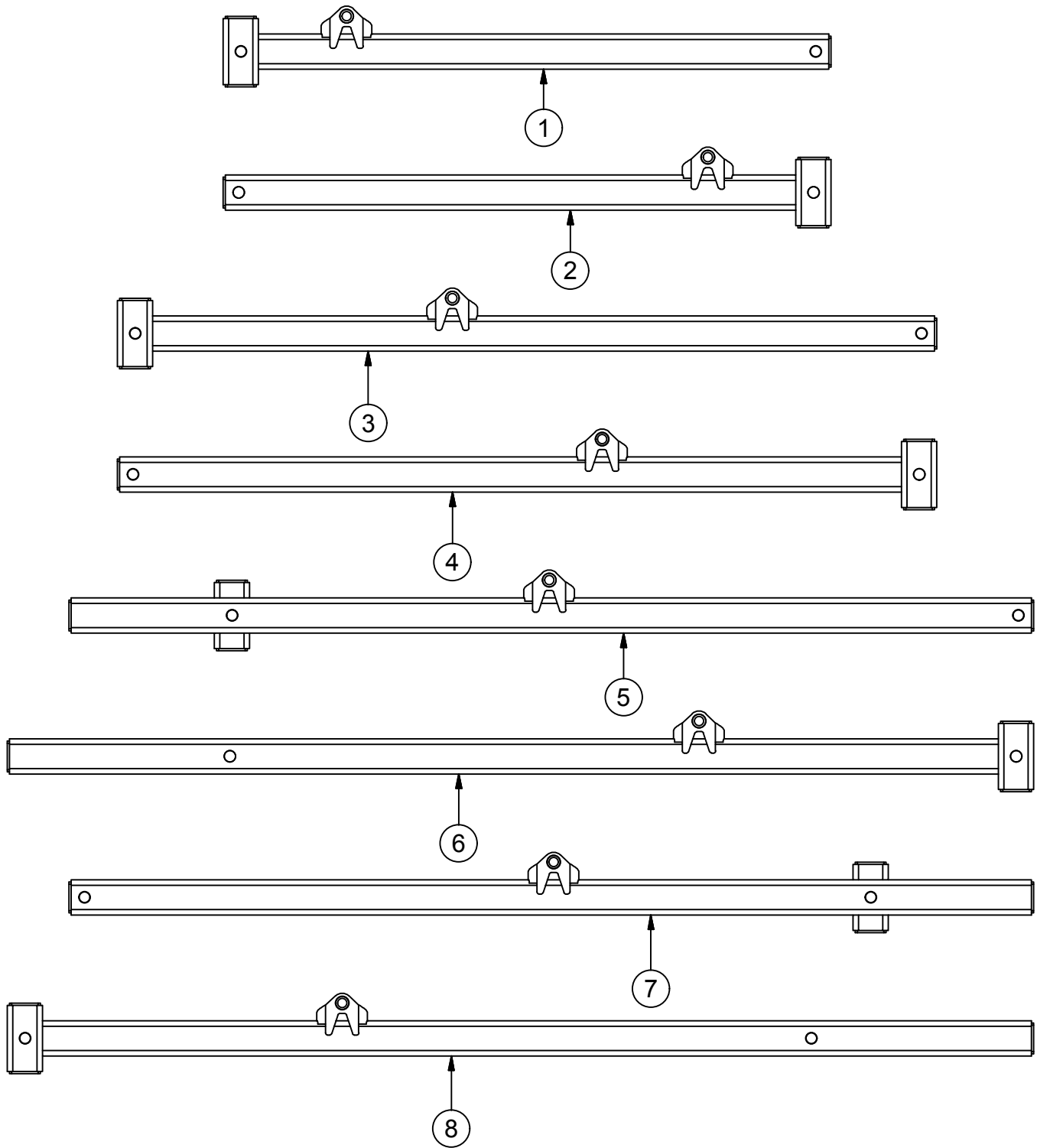
Parts List			Parts List		
ITEM	PART NUMBER	DESCRIPTION	ITEM	PART NUMBER	DESCRIPTION
4	Inquire	Assembly, Shank: Left	6	Inquire	Bar, Coulters, RR: 10'
5	Inquire	Assembly, Shank, Offset: Left			



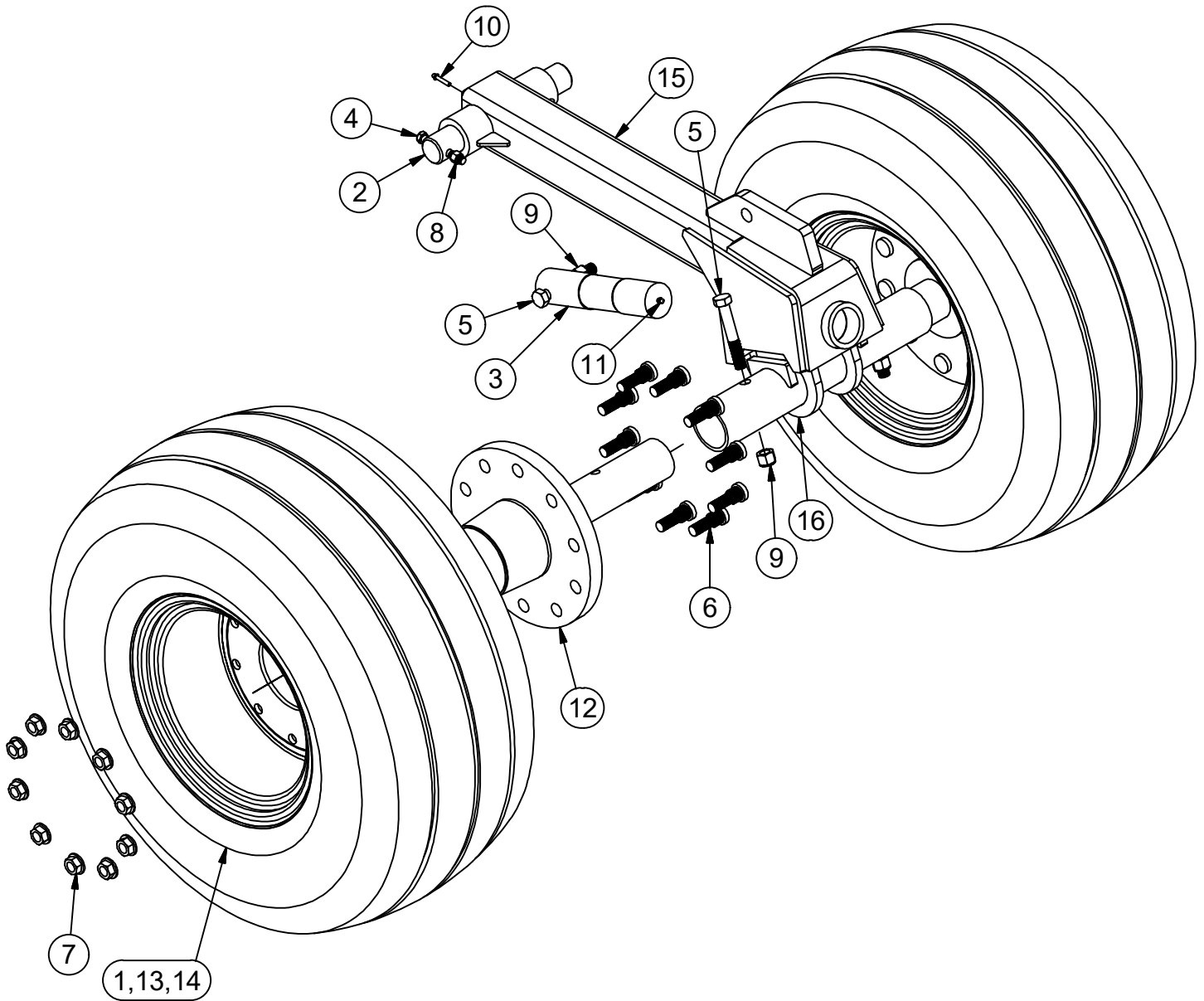
Parts List			Parts List		
ITEM	PART NUMBER	DESCRIPTION	ITEM	PART NUMBER	DESCRIPTION
7	Inquire	Assembly, Shank: Left	9	Inquire	Bar, Coulters, LF: 10'
8	Inquire	Assembly, Shank, Offset: Left			



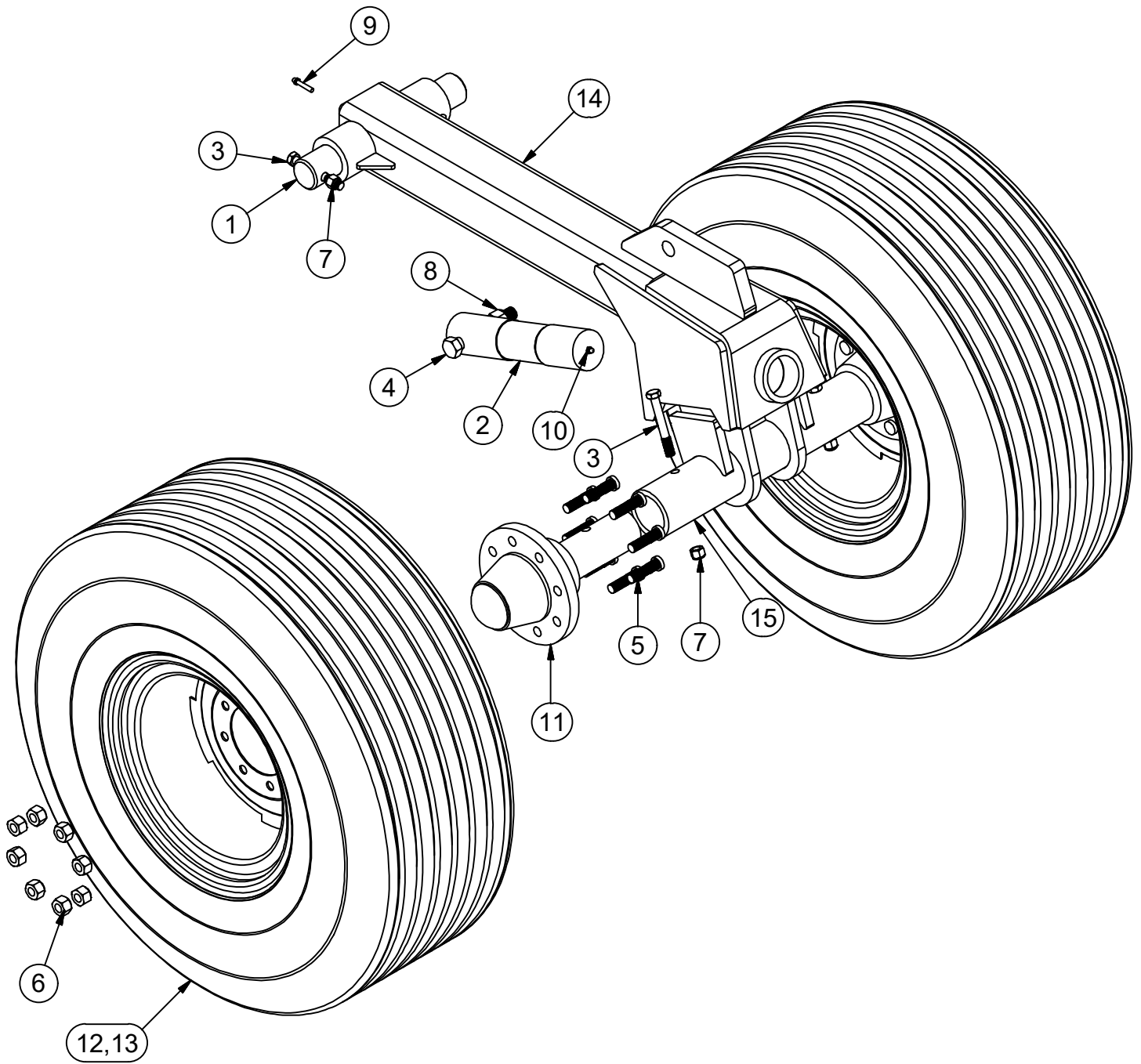
Parts List			Parts List		
ITEM	PART NUMBER	DESCRIPTION	ITEM	PART NUMBER	DESCRIPTION
10	Inquire	Assembly, Shank: Right	12	Inquire	Bar, Coulters, LR: 10'
11	Inquire	Assembly, Shank, Offset: Right			



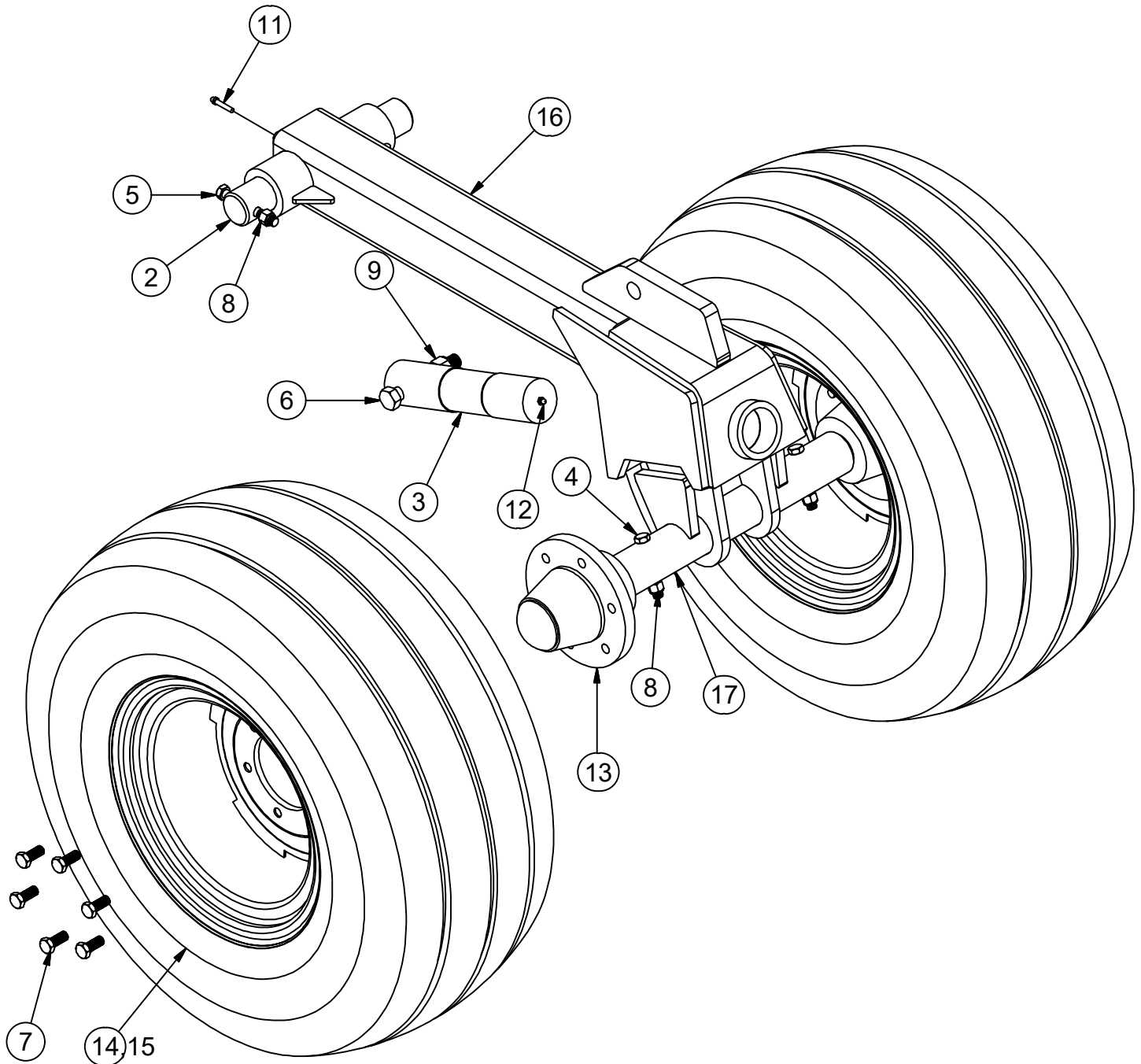
Parts List			Parts List		
ITEM	PART NUMBER	DESCRIPTION	ITEM	PART NUMBER	DESCRIPTION
1	Inquire	Bar, Coulter, RH: 6'	5	Inquire	Bar, Coulter, RF: 10'
2	Inquire	Bar, Coulter, LH: 6'	6	Inquire	Bar, Coulter, RR: 10'
3	Inquire	Bar, Coulter, RH: 8'	7	Inquire	Bar, Coulter, LF: 10'
4	Inquire	Bar, Coulter, LH: 8'	8	Inquire	Bar, Coulter, LR: 10'



10 Bolt Axle and Wheels Assembly			10 Bolt Axle and Wheels Assembly		
ITEM	PART NUMBER	DESCRIPTION	ITEM	PART NUMBER	DESCRIPTION
1	KW100006	Assembly, Wheel & Tire: 10 Bolt	9	R0410109	Nut, Nylon Insert Lock, Grade 2, 3/4"-10
2	PR201501	Pin, Axle Arm: 2"	10	R1502509	Zerk, Grease: 1/8"-27 NPT -1.25"
3	PR251001	Shaft, Rotation, Axle: 2.50" x 10"	11	R1502510	Zerk, Grease: 1/4"-18 NPT
4	R0130640	Bolt, Grade 8, 1/2"-13 x 4"	12	R9903009	Assembly, 10 Bolt Wheel Hub/Spindle
5	R0130950	Bolt, Grade 8, 3/4"-10 x 5"	13	R9907005	Tire, Flotation, 440/55 R18
6	R0150926	Bolt: 3/4" 10 Bolt Wheel Stud	14	Inquire	Wheel, Flotation, 10 Bolt - Ag White
7	R0350109	10 Bolt Wheel Nut, 3/4"	15	Inquire	Rocker Axle Arm
8	R0410106	Nut, Nylon Insert Lock, Grade 2, 1/2"-13	16	Inquire	Rocker Axle Spindles Housing: 10 Bolt



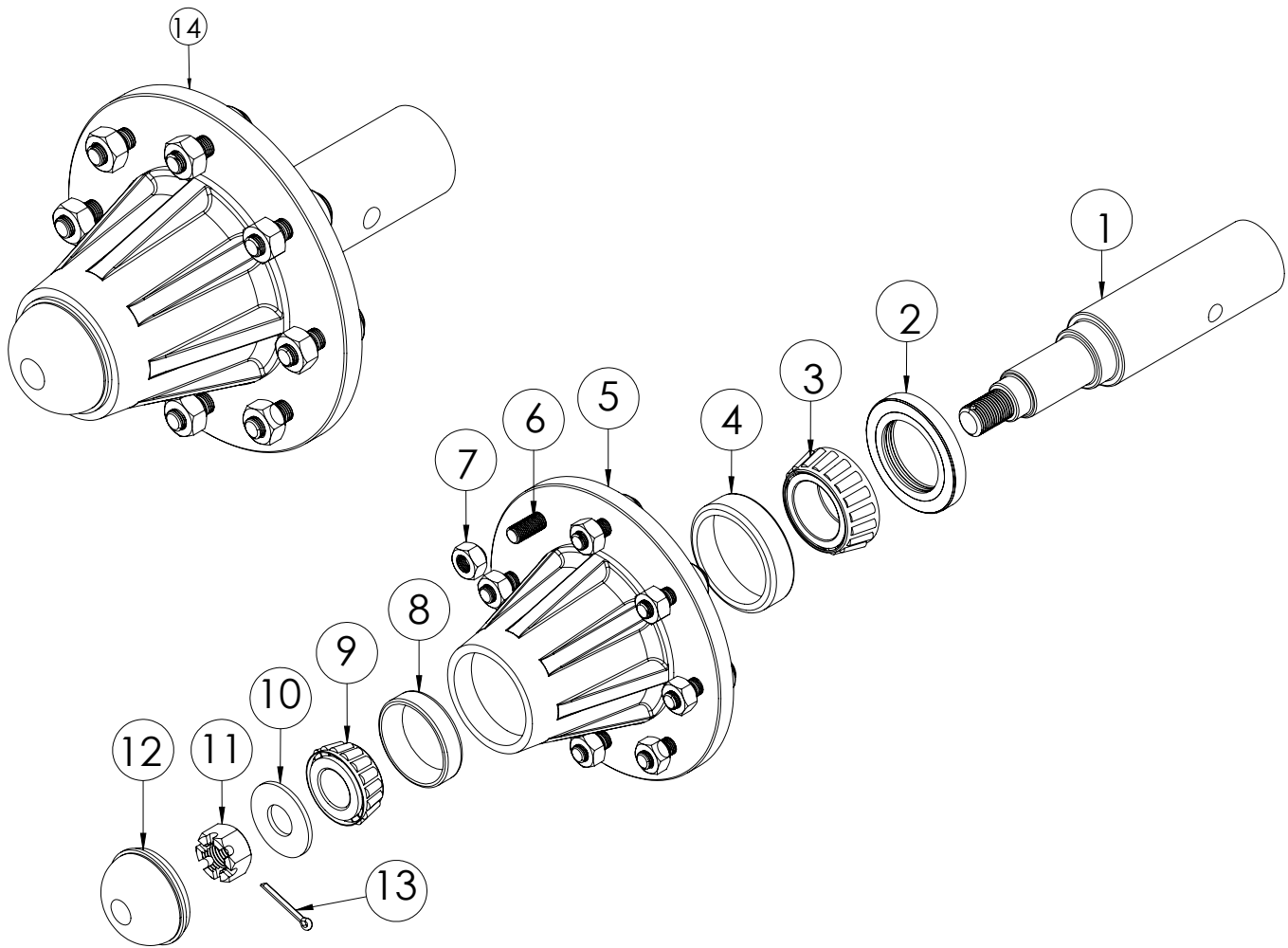
Parts List			Parts List		
ITEM	PART NUMBER	DESCRIPTION	ITEM	PART NUMBER	DESCRIPTION
1	PR201501	Pin, Axle Arm: 2"	9	R1502509	Zerk, Grease: 1/8"-27 NPT -1.25"
2	PR251001	Shaft, Rotation, Axle: 2.50" x 10"	10	R1502510	Zerk, Grease: 1/4"-18 NPT
3	R0130640	Bolt, Grade 8, 1/2"-13 x 4"	11	R9903008-01	Wheel Hub / Spindle, 2-1/2": 32
4	R0130950	Bolt, Grade 8, 3/4"-10 x 5"	12	Inquire	Tire, Floatation 12.5Lx15, 10-Ply
5	R0150723	Bolt: 9/16" 8 Bolt Wheel Stud	13	R9908009	Wheel, Floatation, 8 Bolt: 32
6	R0350107	8 Bolt Lug Nut	14	Inquire	Rocker Axle Arm
7	R0410106	Nut, Nylon Insert Lock, Grade 2, 1/2"-13	15	Inquire	Housing, Spindles, Rocker Axle, 8 Bolt
8	R0410109	Nut, Nylon Insert Lock, Grade 2, 3/4"-10			



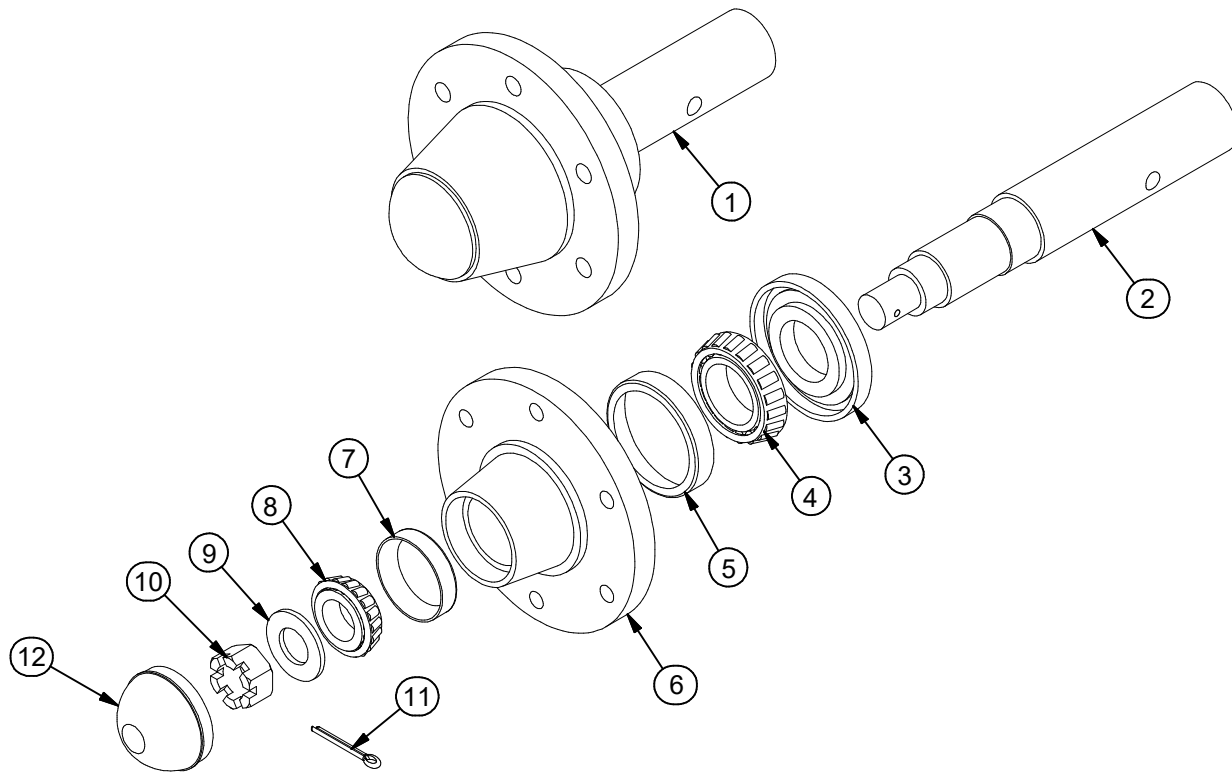
6 Bolt Axle and Wheels Assembly			6 Bolt Axle and Wheels Assembly		
ITEM	PART NUMBER	DESCRIPTION	ITEM	PART NUMBER	DESCRIPTION
1	Options:P14-20	Assembly, Wheel & Tire: 6 Bolt	10	R1502501	Zerk, Grease: 1/8"-27 NPT
2	PR201501	Pin, Axle Arm: 2"	11	R1502509	Zerk, Grease: 1/8"-27 NPT -1.25"
3	PR251001	Shaft, Rotation, Axle: 2.50" x 10"	12	R1502510	Zerk, Grease: 1/4"-18 NPT
4	R0130635	Bolt, Grade 8, 1/2"-13 x 3-1/2"	13	R9903001-04	Assembly, 6 Bolt Wheel Hub/Spindle
5	R0130640	Bolt, Grade 8, 1/2"-13 x 4"	14	Inquire	Tire, Floatation 12.5Lx15, 10-Ply
6	R0130950	Bolt, Grade 8, 3/4"-10 x 5"	15	R9908001	Wheel, Floatation, 6 Bolt - Ag White
7	R0150713	Bolt, Lug (Fine): 9/16"-18 x 1-1/4"	16	Inquire	Rocker Axle Arm
8	R0410106	Nut, Nylon Insert Lock, Grade 2, 1/2"-13	17	Inquire	Housing, Spindles, Rocker Axle: 6 Bolt
9	R0410109	Nut, Nylon Insert Lock, Grade 2, 3/4"-10			

10-Bolt Hub(Illustration Not Available)

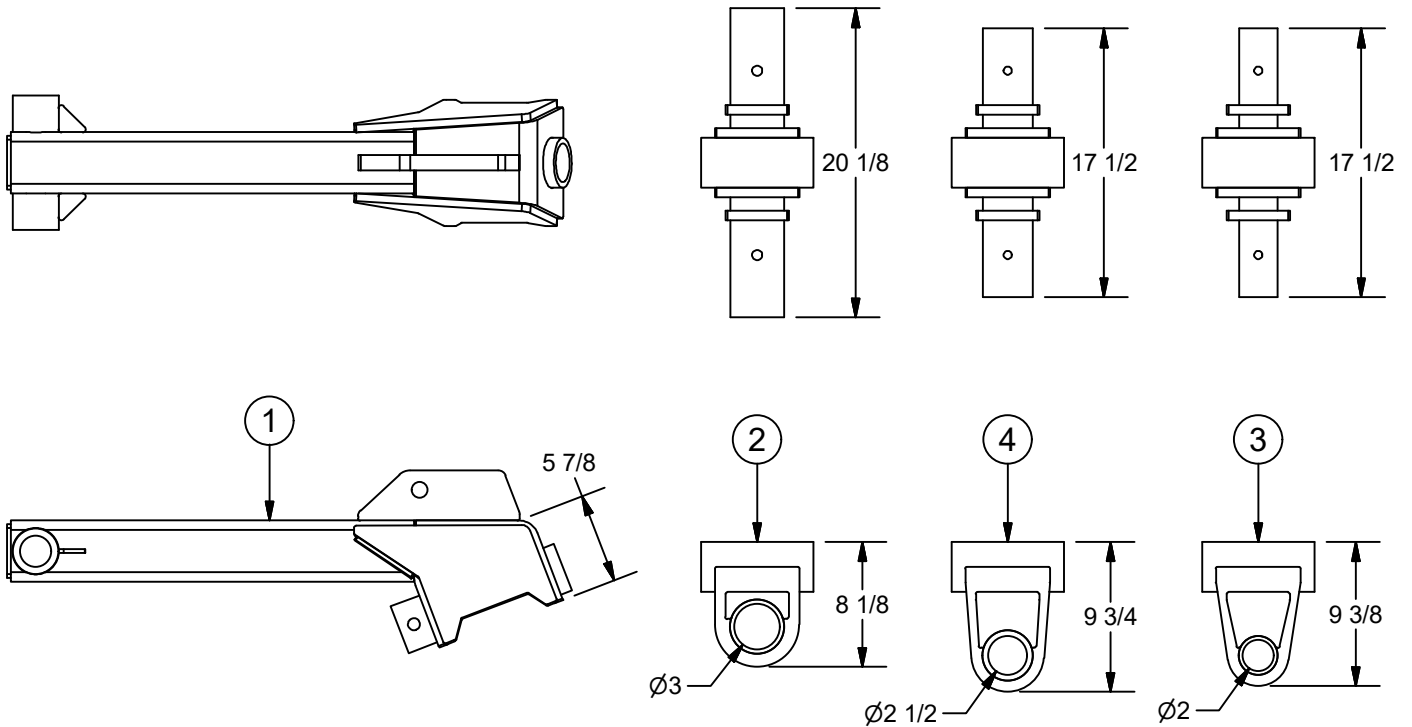
Item	Part #	Description	Reference #
1	N/A	Spindle	
2	R1300000-02	Seal, Grease, Labyrinth Seal: 10-Bolt Hub	SE-48
3	R1100002	Bearing, Tapered, 10-Bolt Hub Inner (Premium)	39585
4	R1200001	Race, 10-Bolt Hub Inner (Premium)	39520
5	N/A	Hub, Cast: 8-Bolt (Includes Races)	
6	R0150926	Studded Bolt: 3/4" x 2-5/8"	
7	R0350107	10-Bolt Lug Nut: 3/4"	
8	R1200000	Race, 8-Bolt Hub Outer (Premium)	453A
9	R1100001	Bearing, Tapered, 8-Bolt Hub Outer (Premium)	460
10	N/A	Washer, Flat, Hardened: 1"	
11	N/A	Nut, Castle, Fine: 1"	
12	R9906005	Dust Cap: 10-Bolt Hub	
13	N/A	Cotter Pin: 3/16" x 2"	
14	R9903009-01	Complete Hub/Spindle Assembly: 8-Bolt: 2.5" Spindle	
*	KB100000-11	Premium(Silver) Rebuild Kit: 10-Bolt (Includes 2,3,4,8,9)	
**	KB100002-12	Premium(Gold) Rebuild Kit: 10-Bolt(Includes: 2-4,8-13)	



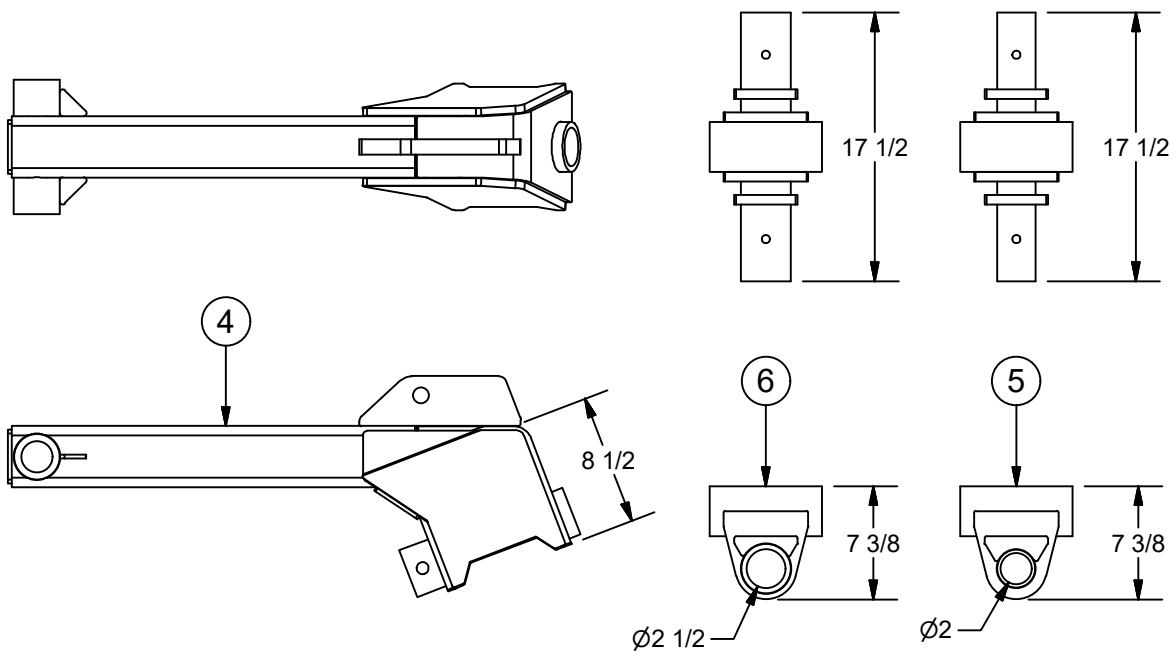
Item	Part #	Description	Reference #
1	N/A	Spindle	
2	R1300001-02	Seal, Grease, Labyrinth Seal: 8-Bolt Hub	SE-17-single lip
3	R1100018	Bearing, Tapered, 8-Bolt Hub Inner (Premium)	3780
4	R1200006	Race, 8-Bolt Hub Inner (Premium)	3720
5	R9905006	Hub, Cast: 8-Bolt (Includes Races)	
6	R0150723	Studded Bolt: 9/16" x 2-1/2"	
7	R0350107	Nut, Lug, Fine: 9/16"	
8	R1200005	Race, 8-Bolt Hub Outer (Premium)	2720
9	R1100017	Bearing, Tapered, 8-Bolt Hub Outer (Premium)	2790
10	R0590005	Washer, Flat, Hardened: 1"	
11	R1410001	Nut, Castle, Fine: 1"	
12	R9906004	Dust Cap: 8-Bolt Hub	DC-17
13	R1618900	Cotter Pin: 3/16" x 2"	
14	R9903008-01	Complete Hub/Spindle Assembly: 8-Bolt: 2.5" Spindle	
*	KB100002-11	Premium(Silver) Rebuild Kit: 8-Bolt (Includes 2,3,4,8,9)	
**	KB100002-12	Premium(Gold) Rebuild Kit: 8-Bolt(Includes: 2-4,8-13)	



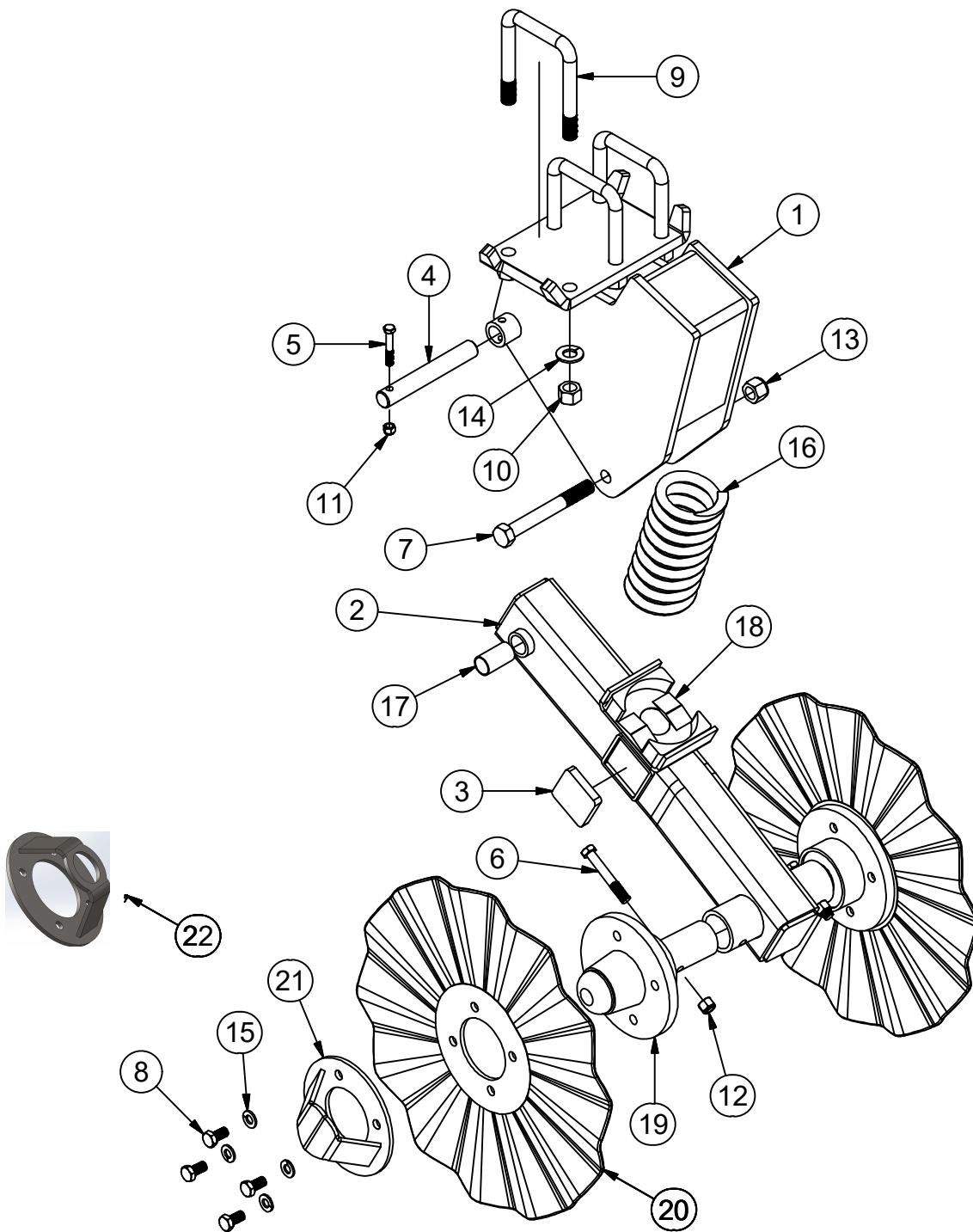
Item	Part #	Description	Reference #
1 a)	R9903001-04	Complete Hub/Spindle Assembly: 6-Bolt, 3-1/4" Seal-Hole - Standard	
1 b)	R9903010	Complete Hub/Spindle Assembly: 6-Bolt, Misc. (Order Form Required, Pg. 51)	
2 a)	R9904001	Spindle, 6-Bolt: 3-1/4" Seal-Hole - Standard	
2 b)	R9904006	Spindle, 6-Bolt: Misc. (Order Form Required, Pg. 51)	
3 a)	R1320001	Seal, Grease, Single Lip: 6-Bolt	SE30
3 b)	R1320001-02	Seal, Grease, Labyrinth: 6-Bolt	SE88
4 a)	R1100013	Bearing, Tapered, 6-Bolt Inner(CANADA ONLY)	25580
4 b)	R1100013-01	Bearing, Tapered, 6-Bolt Inner (Premium) - Standard	25580
5 a)	R1200003	Race, 6-Bolt Inner	25520
5 b)	R1200003-01	Race, 6-Bolt Inner (Premium) - Standard	25520
6	R9905001-01	Hub, Cast: 6-Bolt (Includes Premium Races)	HA618
7 a)	R1200004	Race, 6-Bolt Outer	LM48510
7 b)	R1200004-01	Race, 6-Bolt Outer (Premium) - Standard	LM48510
8 a)	R1100012	Bearing, Tapered, 6-Bolt Outer(CANADA ONLY)	LM48548
8 b)	R1100012-01	Bearing, Tapered, 6-Bolt Outer (Premium) - Standard	LM48548
9	R0510001	Washer, Flat, Hardened: 1"	
10	R1410001	Nut, Castle, Fine: 1"	
11	R1618900	Cotter Pin: 3/16" x 2"	
12	R9906001	Dust Cap: 6-Bolt Hub	DC-15
KIT	KB100001	Economy (Bronze) Rebuild Kit: 6-Bolt (Includes 3a,4a,5a,7a,8a) (CANADA ONLY)	
KIT	KB100001-11	Premium (Silver) Rebuild Kit: 6-Bolt (Includes 3b,4b,5b,7b,8b)	
KIT	KB100001-12	Premium (Gold) Rebuild Kit: 6-Bolt (Includes 3b,4b,5b,7b,8b,9-12)	



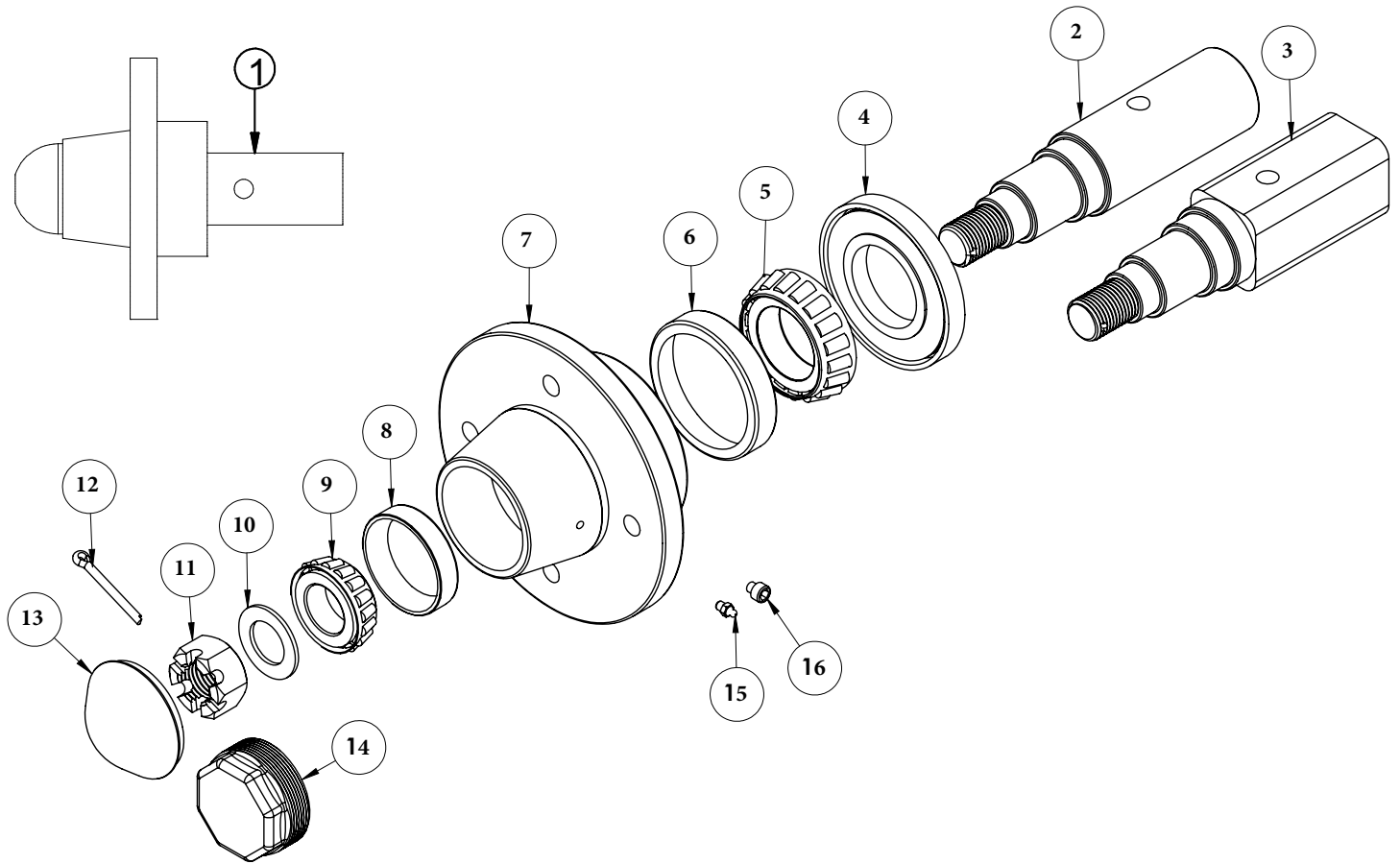
Rocker Axle Spindles and Arms			Rocker Axle Spindles and Arms		
ITEM	PART NUMBER	DESCRIPTION	ITEM	PART NUMBER	DESCRIPTION
1	Inquire	Rocker Axle Arm	3	Inquire	Housing, Spindles, Rocker Axle: 6 Bolt
2	Inquire	Rocker Axle Spindles Housing: 10 Bolt	4	Inquire	Housing, Spindles, Rocker Axle, 8 Bolt



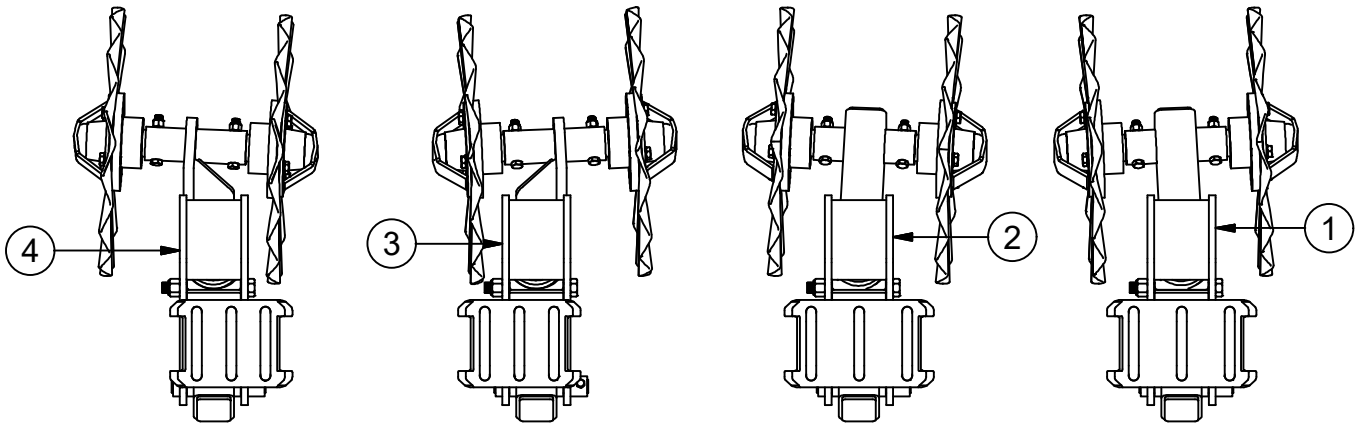
Rocker Axle Spindles and Arms			Rocker Axle Spindles and Arms		
ITEM	PART NUMBER	DESCRIPTION	ITEM	PART NUMBER	DESCRIPTION
4	WC001512	Arm, Axle, Rocker: 32	6	WC001577	Housing, Spindles, Rocker Axle: 8 Bolt
5	WC001514	Housing, Spindles, Rocker Axle: 6 Bolt			



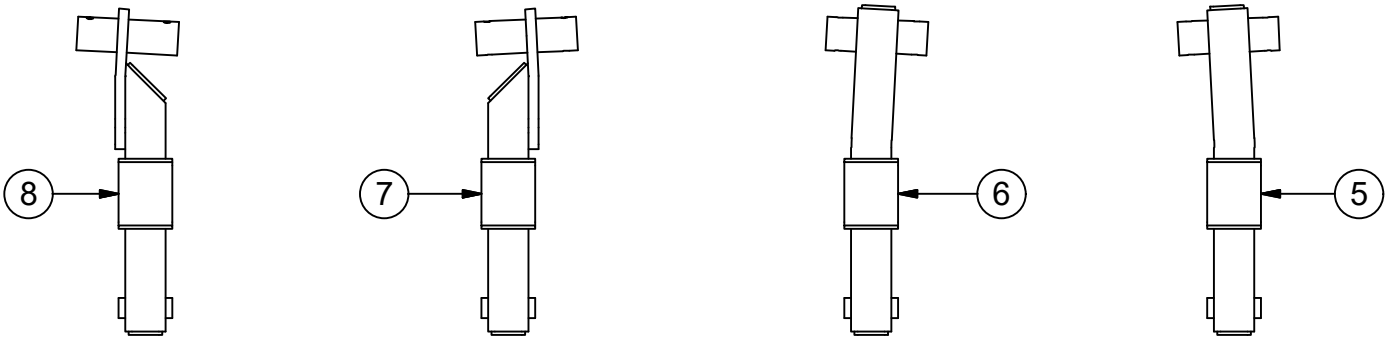
Coulter Assembly			Coulter Assembly		
ITEM	PART NUMBER	DESCRIPTION	ITEM	PART NUMBER	DESCRIPTION
1		Body, Spring: See Options P.24	12	R0410106	Nut, Nylon Insert Lock, Grade 2, 1/2"-13
2		Shank: See Options P.24	13	R0410109	Nut, Nylon Insert Lock, Grade 2, 3/4"-10
3	PM051001	Pad, UHMW	14	R0610009	Lock Washer, 3/4", Medium
4	PR101001	Pin, Shank Arm: 1"	15	R0620006	Lock Washer, 1/2", High Alloy, Medium
5	R0110423	Bolt, Grade 5, 3/8"-16 x 2-1/4"	16	R0940001	Spring, Shank, Outer:.625" x 4" x 10"
6	R0130635	Bolt, Grade 8, 1/2"-13 x 3-1/2"	17	R1010006	Bushing, Greaseless, 1.0" ID x 2"L
7	R0130965	Bolt, Grade 8, 3/4"-10 x 6.5"	18	R9902001	Base, Shank Spring, Seat, 4"
8	R0140613	Bolt, Grade 8, 1/2"-20 x 1-1/4" Fine Thread	19	R9903004	Assembly, Coulter Hub, Round Spindle
9	R0239458	U-Bolt, Gr. 8, 3/4"-10, 5.75"x4.06"x5.75"	20	R9915001	Blade, Coulter, 20" x 6mm 13-Wave
10	R0310109	Nut, Hex, Grade A, 3/4"-10	21	WC001016	Shield, Hub: Round Shaft
11	R0410104	Nut, Nylon Insert Lock, Grade 2, 3/8"-16	22	WC006000	Shield, Hub: Center Coulter



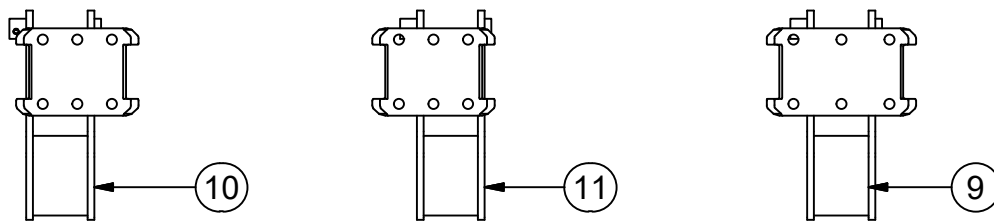
Item	Part #	Description	Reference #
1	R9903004	Complete Hub/Spindle Assembly: 4-Bolt, Round, New Style	
2	n/a	4-Bolt Round Spindle	
3	n/a	4-Bolt Square Spindle	
4	R1300004	Seal, Grease, Triple Lip, w/Ductile (Fits all variations)	
5	n/a	Bearing, Tapered, 4-Bolt Inner	30209
6	n/a	Race, 4-Bolt Inner	30209
7	n/a	Hub, Cast, 4-Bolt	
8	n/a	Race, 4-Bolt Outer	30206
9	n/a	Bearing, Tapered, 4-Bolt Outer	30206
10	R0590100	Washer, Flat, Hardened: 1"	
11	R0320411	Nut, Castle: 1"	
12	R1618900	Cotter Pin: 3/16" x 2"	
13	R9906003	Dust Cap, 4-Bolt	
14	n/a	Dust Cap, Flat, Threaded, 4-Bolt	
15	R1502505	Zerk, Grease: 6mm x 1.0	
16	R1502506	Plug, Grease: 6mm x 1.0	
*	KB200002	Rebuild Kit, 4-Bolt (Includes Items 4-6,8-9) Fits all variations(CANADA ONLY)	
*	KB200002-01	Full Rebuild Kit: 4- Bolt (Includes Items 4-6,8-13)(CANADA ONLY)	
*	KB200002-10	Rebuild Kit, 4-Bolt (Includes Items 4-6,8-9 Fits all variations(USA ONLY)	
*	KB200002-11	Full Rebuild Kit: 4- Bolt (Includes Items 4-6,8-13)(USA ONLY)	



Parts List			Parts List		
ITEM	PART NUMBER	DESCRIPTION	ITEM	PART NUMBER	DESCRIPTION
1	Inquire	Assembly, Shank: Right	3	Inquire	Assembly, Shank, Offset: Right
2	Inquire	Assembly, Shank: Left	4	Inquire	Assembly, Shank, Offset: Left



Parts List			Parts List		
ITEM	PART NUMBER	DESCRIPTION	ITEM	PART NUMBER	DESCRIPTION
5	WC001011	Shank: Right	7	WC001519	Shank, Offset: Right
6	WC001009	Shank: Left	8	WC001520	Shank, Offset, Right



Parts List			Parts List		
ITEM	PART NUMBER	DESCRIPTION	ITEM	PART NUMBER	DESCRIPTION
9	WC001006	Spring Body - Main	11	WC001008	Spring Body - LH
10	WC001007	Spring Body - RH			



①



②

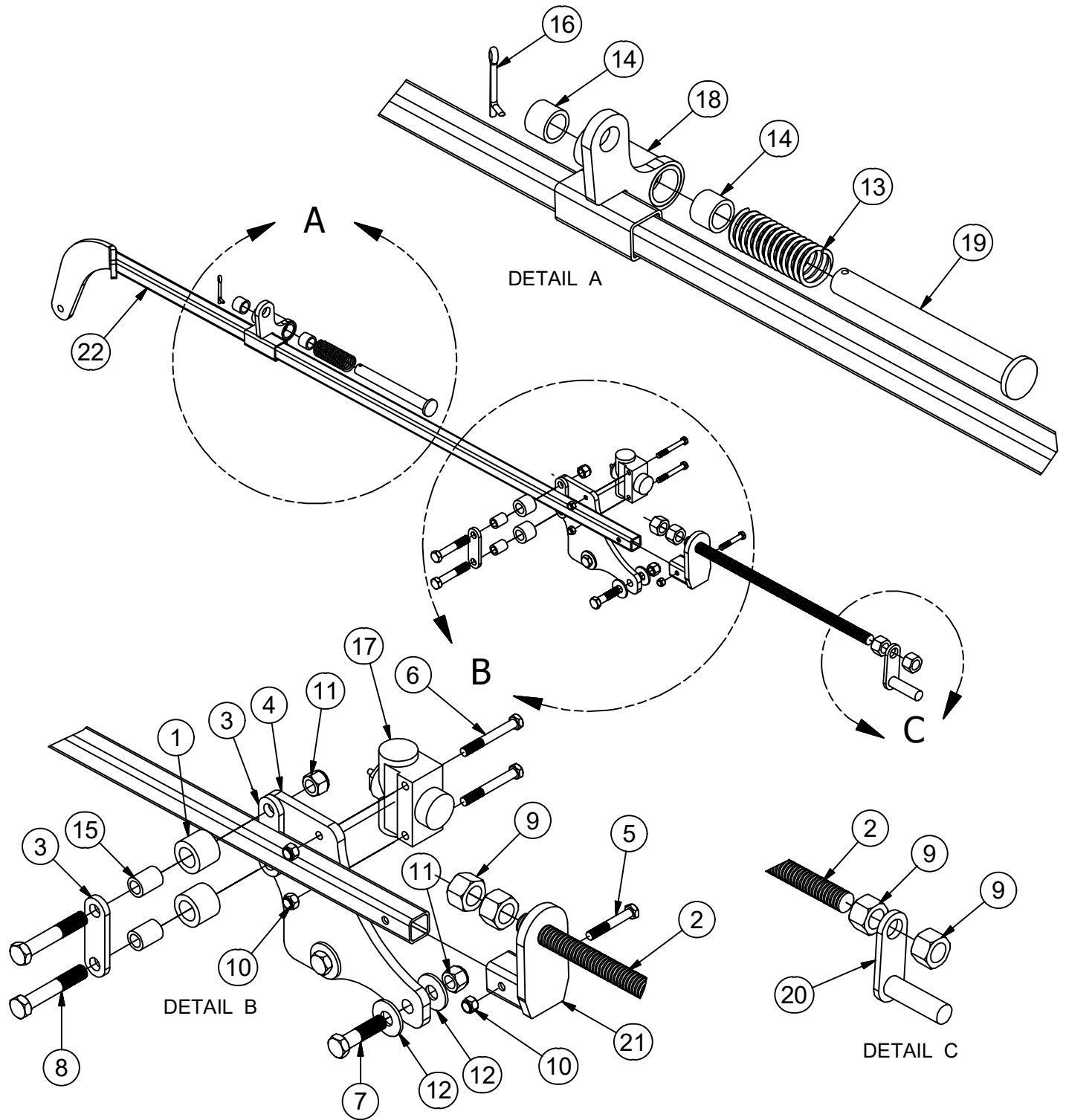


③

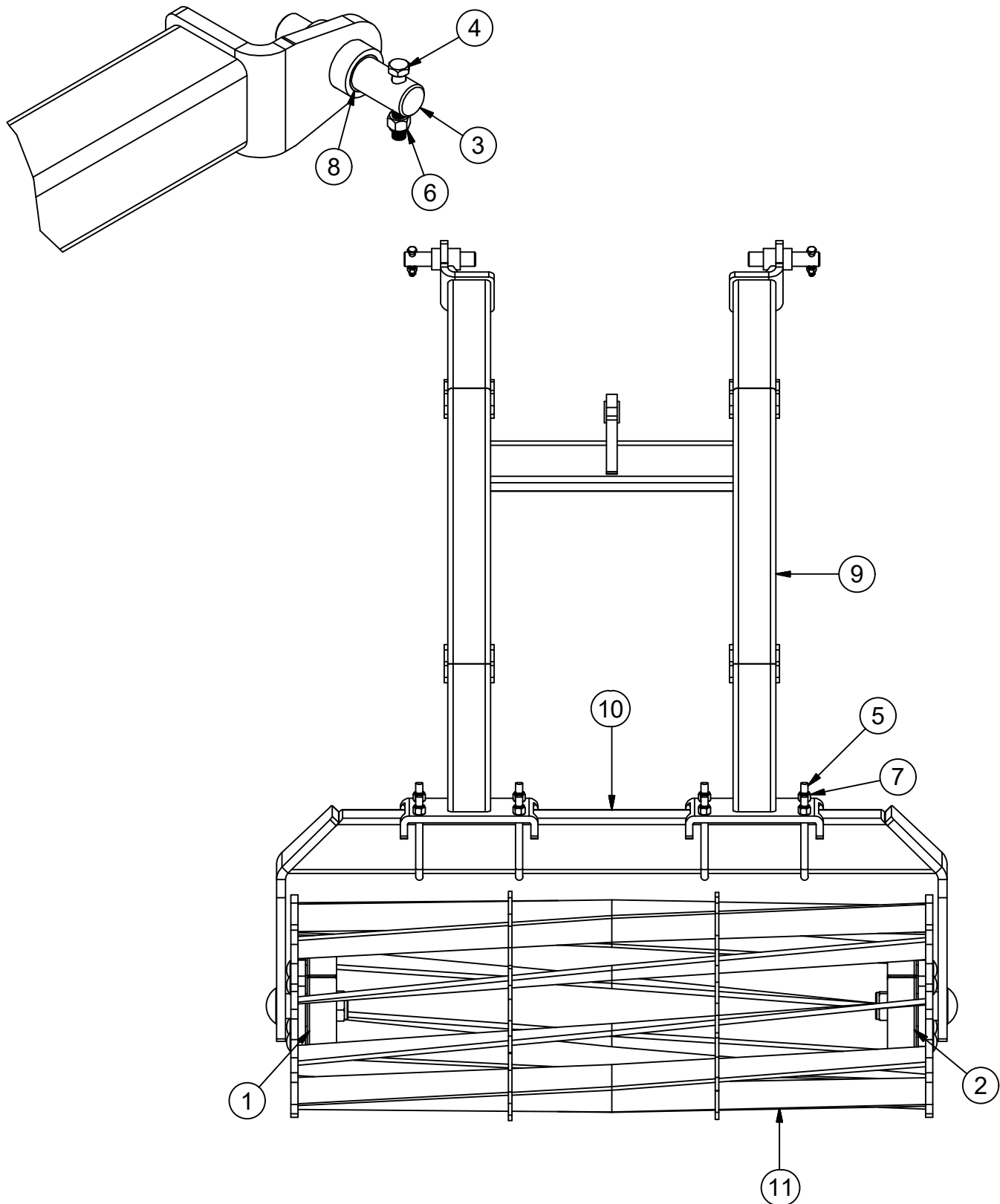


④

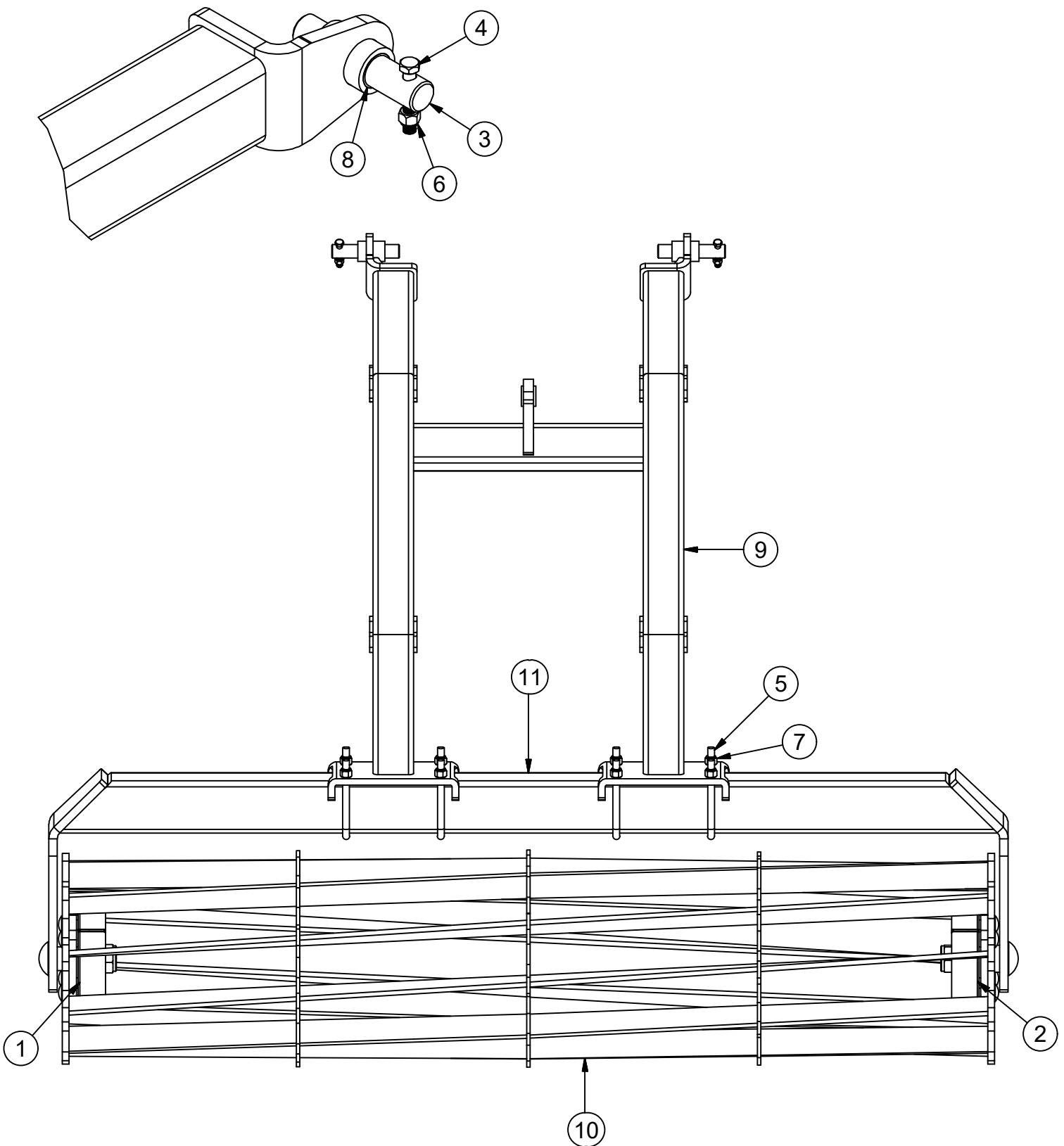
Item	Part #	Description
1 a)	R9915001	Coulter Blade: 20", 13 Wave
1 b)	R9915005	Coulter Blade: 18", 13-Wave
2	R9915002	Coulter Blade: 20", Vortex™ Vortex™ is a registered trademark of CFC Distributors
3 a)	R9915003-L	Coulter Blade: 20", 8 Wave Notched, Left
3 b)	R9915003-R	Coulter Blade: 20", 8 Wave Notched, Right
4	R9915004	Coulter Blade: 20", Samurai



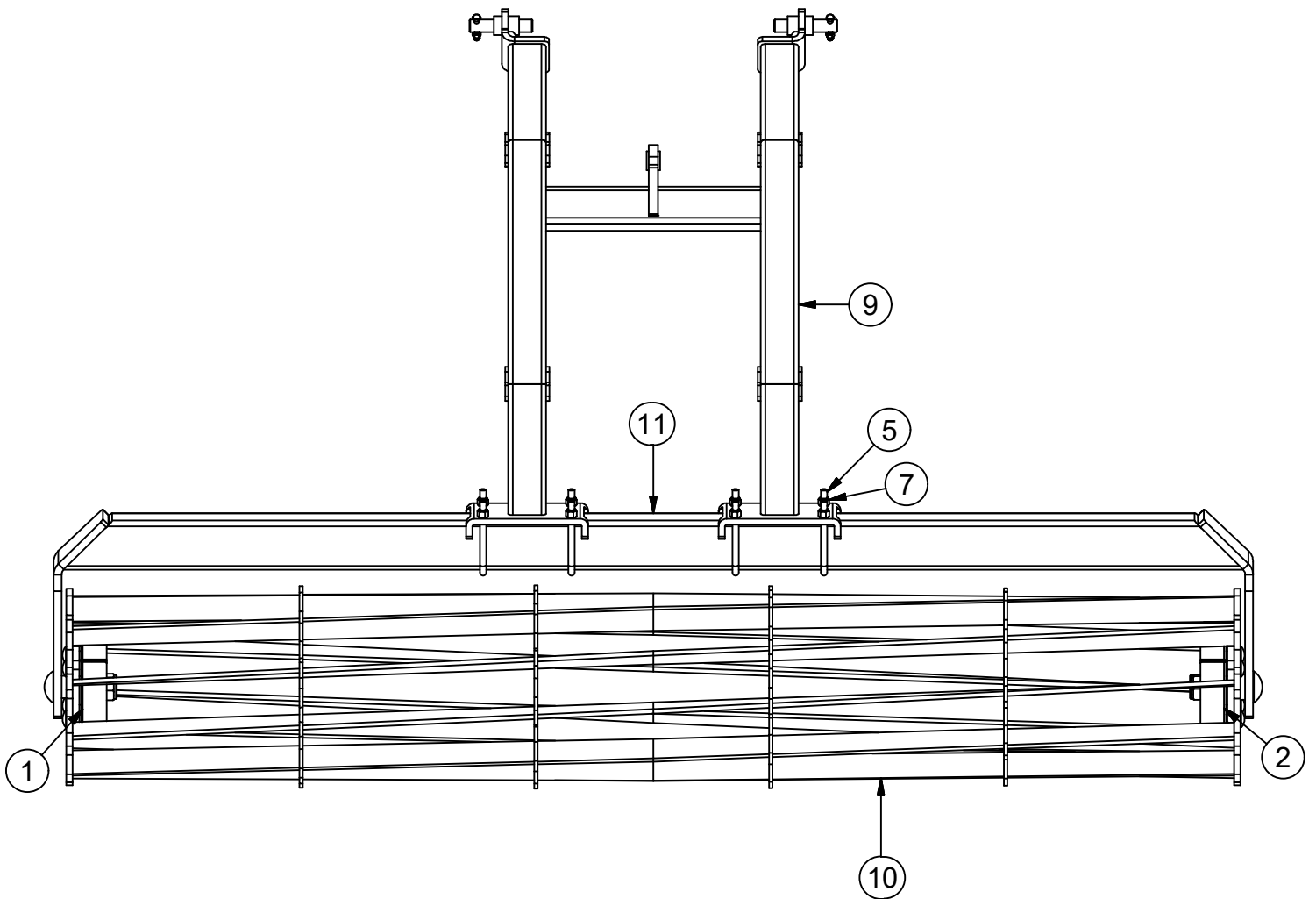
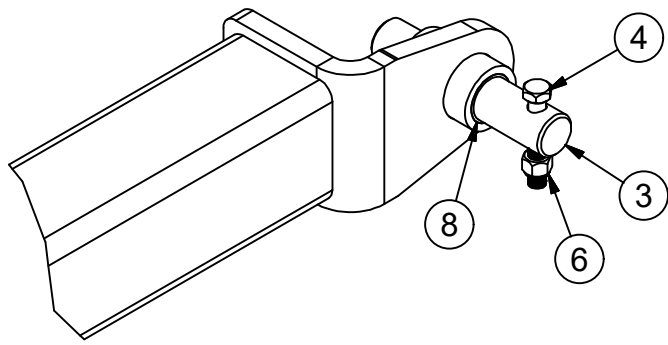
Depth Control Assembly			Depth Control Assembly		
ITEM	PART NUMBER	DESCRIPTION	ITEM	PART NUMBER	DESCRIPTION
1	Inquire	Bushing, Depth Control Guide	12	R0510106	Washer, USS, 1/2" x 1.375"
2	Inquire	Threaded, Depth Control: 3/4"	13	R0912001	Spring, 1-1/8" x 0.120" x 4" Long (2/pack)
3	Inquire	Plate, Depth Control Guide Bushing	14	R1010001	Bushing, Greaseless, 1"OD .77" ID x 3/4"
4	Inquire	Bracket, Depth Control Valve	15	R1010002	Bush, Greaseless, 0.5"ID x .75"OD x 1"L
5	R0110320	Bolt, Grade 5, 5/16"-18 x 2"	16	R1619251	Pin, Cotter: 3/16" x 1.5"
6	R0110325	Bolt, Grade 5, 5/16"-18 x 2-1/2"	17	R1803001	Valve, Depth Control
7	R0110620	Bolt, Grade 5, 1/2"-13 x 2"	18	Inquire	Bracket, Depth Control Plunger Slide
8	R0110630	Bolt, Grade 5, 1/2"-13 x 3"	19	Inquire	Plunger, Depth Control
9	R0310109	Nut, Hex, Grade A, 3/4"-10	20	Inquire	Handle, Depth Control
10	R0410103	Nut, Nylon Insert Lock, Grade 2, 5/16"-18	21	Inquire	Bracket, Linkage End Handle
11	R0410106	Nut, Nylon Insert Lock, Grade 2, 1/2"-13	22	Inquire	Arm, Depth Control Linkage



AC001559: 4' Rolling Basket			AC001559: 4' Rolling Basket		
ITEM	PART NUMBER	DESCRIPTION	ITEM	PART NUMBER	DESCRIPTION
1		Rolling Basket Bearing Assy - LH	7	R0410106	Nut, Nylon Insert Lock, Grade 2, 1/2"-13
2		Rolling Basket Bearing Assy - RH	8	R1010006	Bushing, Greaseless, 1.0" ID x 2"L
3	PR101501	Pin, Rolling Basket: 1"	9	WC001541	Basket Arms
4	R0110423	Bolt, Grade 5, 3/8"-16 x 2-1/4"	10	Inquire	Cradle, Rolling Basket, 4'
5	R0236351	U-Bolt, Gr. 8, 1/2"-13, 5.5" x 3.06" x 5.5"	11	Inquire	Rolling Basket, Flat Bar: 4'
6	R0410104	Nut, Nylon Insert Lock, Grade 2, 3/8"-16		Inquire	Rolling Basket, Round Bar: 4' (Optional)

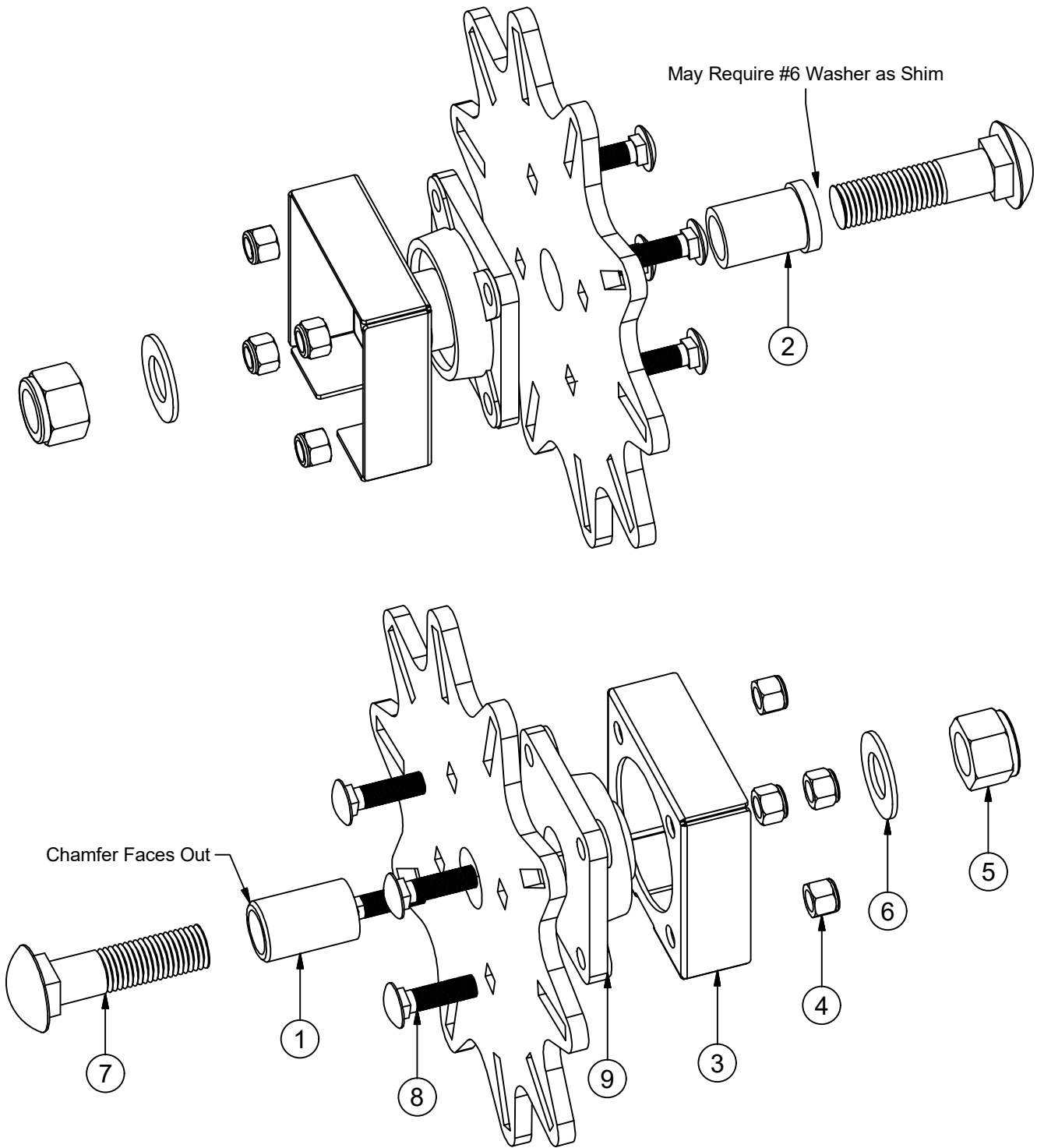


6' Rolling Basket			6 Rolling Basket		
ITEM	PART NUMBER	DESCRIPTION	ITEM	PART NUMBER	DESCRIPTION
1		Rolling Basket Bearing Assy - LH	7	R0410106	Nut, Nylon Insert Lock, Grade 2, 1/2"-13
2		Rolling Basket Bearing Assy - RH	8	R1010006	Bushing, Greaseless, 1.0" ID x 2"L
3	PR101501	Pin, Rolling Basket: 1"	9	WC001541	Basket Arms
4	R0110423	Bolt, Grade 5, 3/8"-16 x 2-1/4"	10	WC001569	Rolling Basket, Flat Bar: 6'
5	R0236351	U-Bolt, Gr. 8, 1/2"-13, 5.5" x 3.06" x 5.5"		Inquire	Rolling Basket, Round Bar: 6' (Optional)
6	R0410104	Nut, Nylon Insert Lock, Grade 2, 3/8"-16	11	WC001573	Cradle, Rolling Basket, 6'

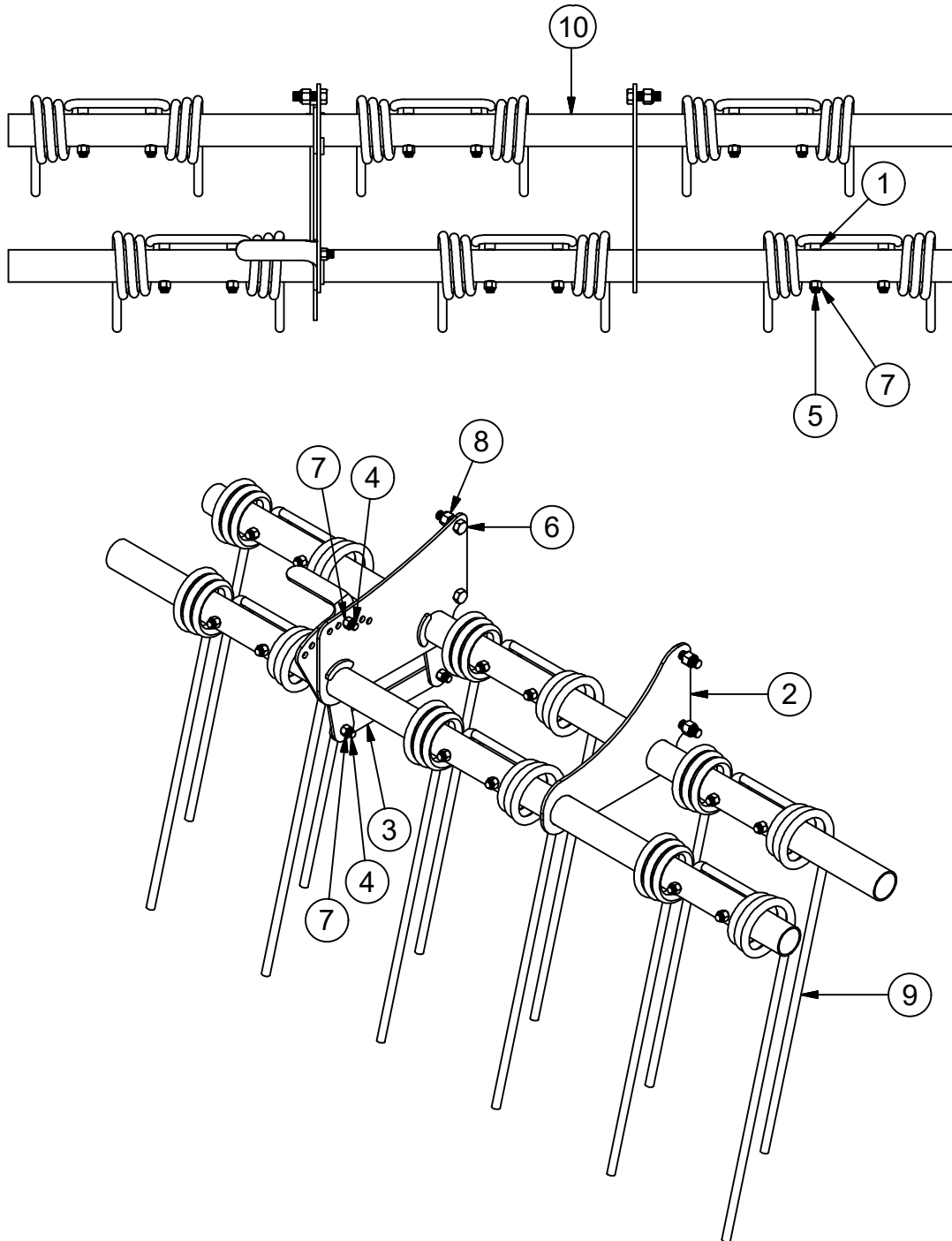


8' Rolling Basket			8' Rolling Basket		
ITEM	PART NUMBER	DESCRIPTION	ITEM	PART NUMBER	DESCRIPTION
1		Rolling Basket Bearing Assy - LH	7	R0410106	Nut, Nylon Insert Lock, Grade 2, 1/2"-13
2		Rolling Basket Bearing Assy - RH	8	R1010006	Bushing, Greaseless, 1.0" ID x 2"L
3	PR101501	Pin, Rolling Basket: 1"	9	WC001541	Basket Arms
4	R0110423	Bolt, Grade 5, 3/8"-16 x 2-1/4"	10	WC001571	Rolling Basket, Flat Bar: 8'
5	R0236351	U-Bolt, Gr. 8, 1/2"-13, 5.5" x 3.06" x 5.5"		Inquire	Rolling Basket, Round Bar: 8' (Optional)
6	R0410104	Nut, Nylon Insert Lock, Grade 2, 3/8"-16	11	WC001574	Cradle, Rolling Basket, 8'

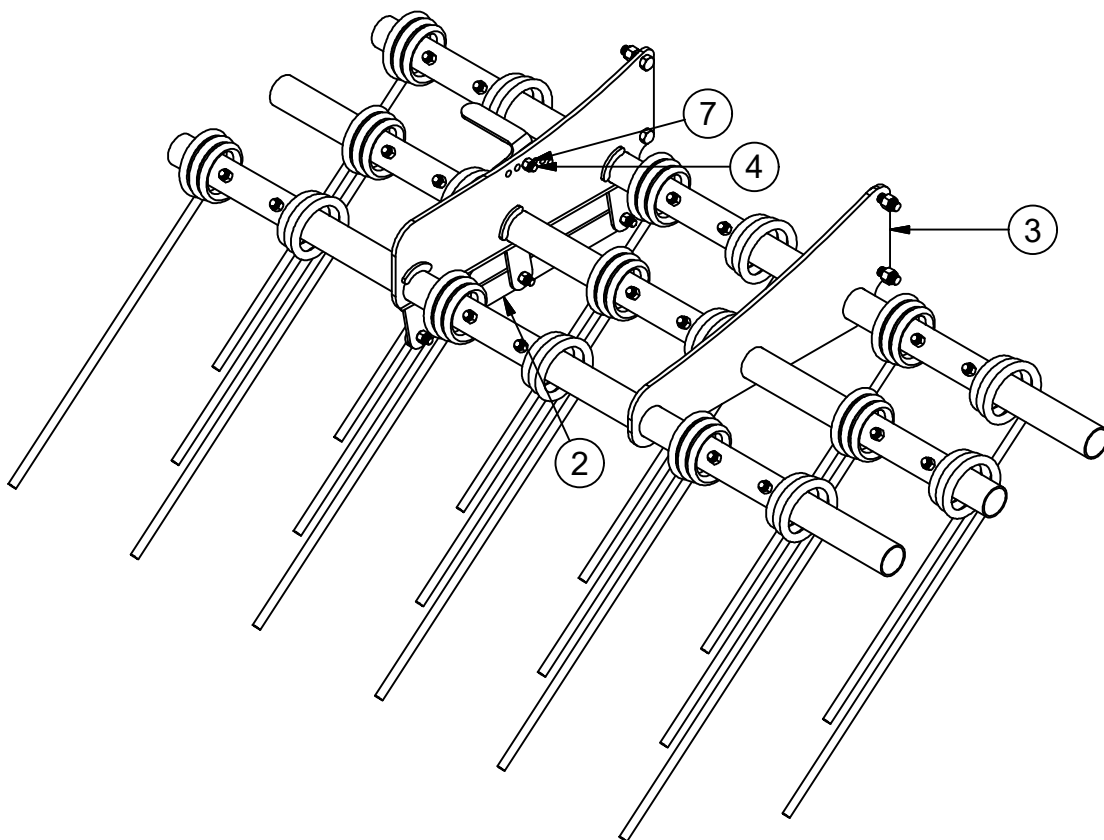
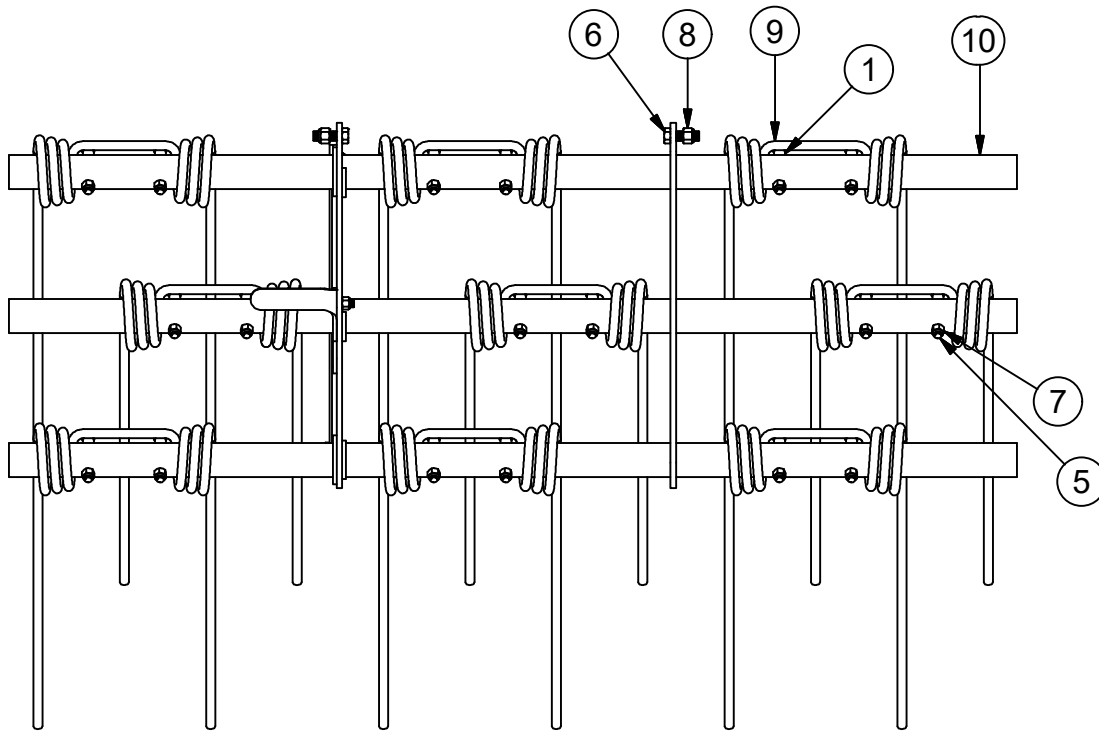
SOME UNITS USE ILLUSTRATION 1 FOR BOTH ENDS. WHEN REPLACING BUSHINGS IT IS RECOMMENDED HAVING ONE END FREE FLOATING (ILLUSTRATION 2).



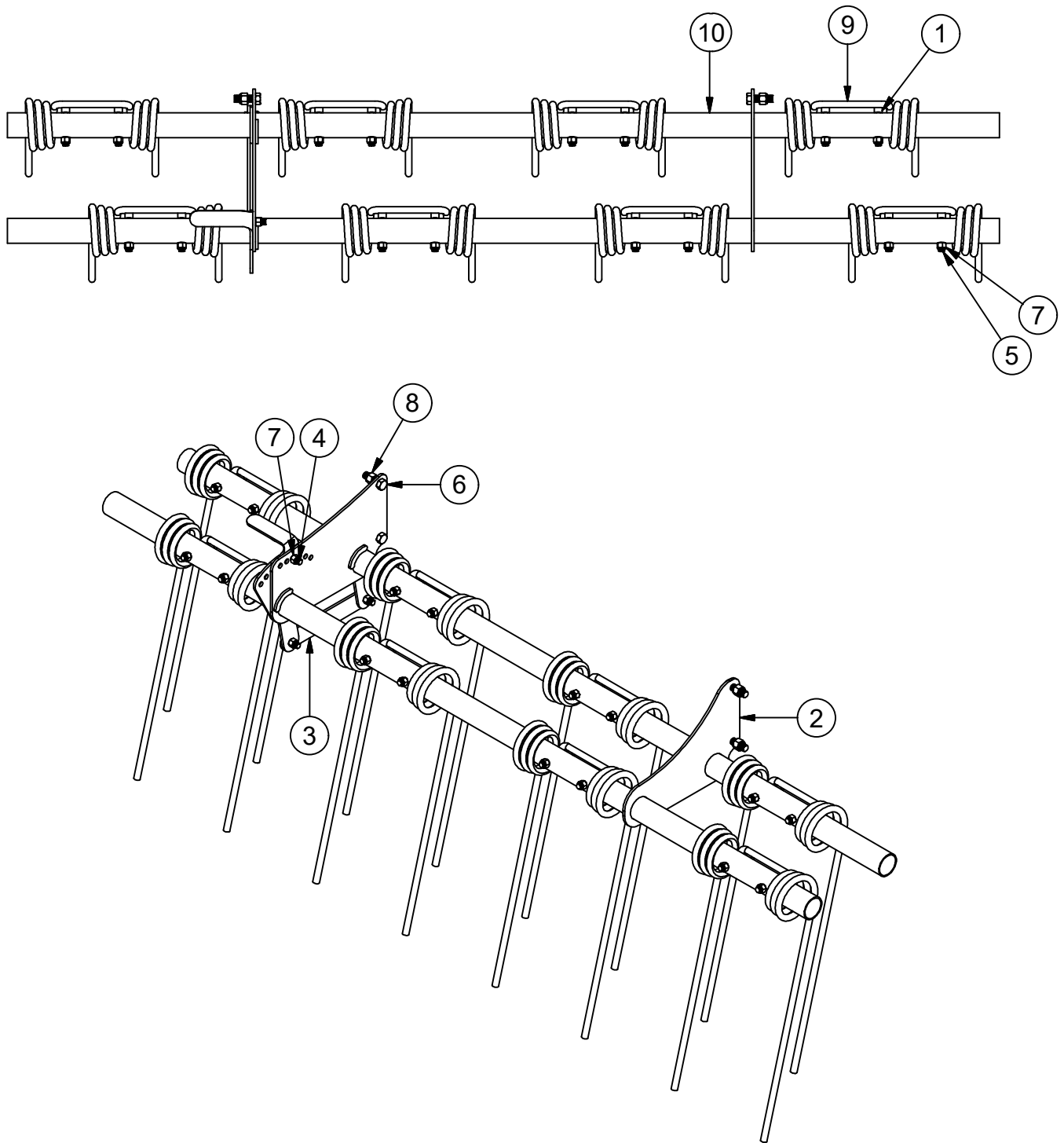
Rolling Basket Bearing Assemblies			Rolling Basket Bearing Assemblies		
ITEM	PART NUMBER	DESCRIPTION	ITEM	PART NUMBER	DESCRIPTION
1	PB181501	Flange Bearing Bushing	6	R0510213	Washer, SAE, 1-1/4" x 2.500"
2	PB201501	Flange Bearing Bushing	7	R0721352	Bolt Carriage, Grade 5, 1-1/4" x 5-1/4"
3	PG101502	Flange Bearing Basket	8	R0730820	Bolt, Carriage, Grade 8, 5/8"-11 x 2"
4	R0410108	Nut, Nylon Insert Lock, Grade 2, 5/8"-11	9	R1100008-02	Bearing, Flange, 4-Bolt, F209: 1-3/4"
5	R0410113	Nut, Nylon Insert Lock, Grade 2, 1-1/4"-7	*KB200003 - Rolling Basket Rebuild Kit (Items 1,2,5-8 for 1 Basket)		



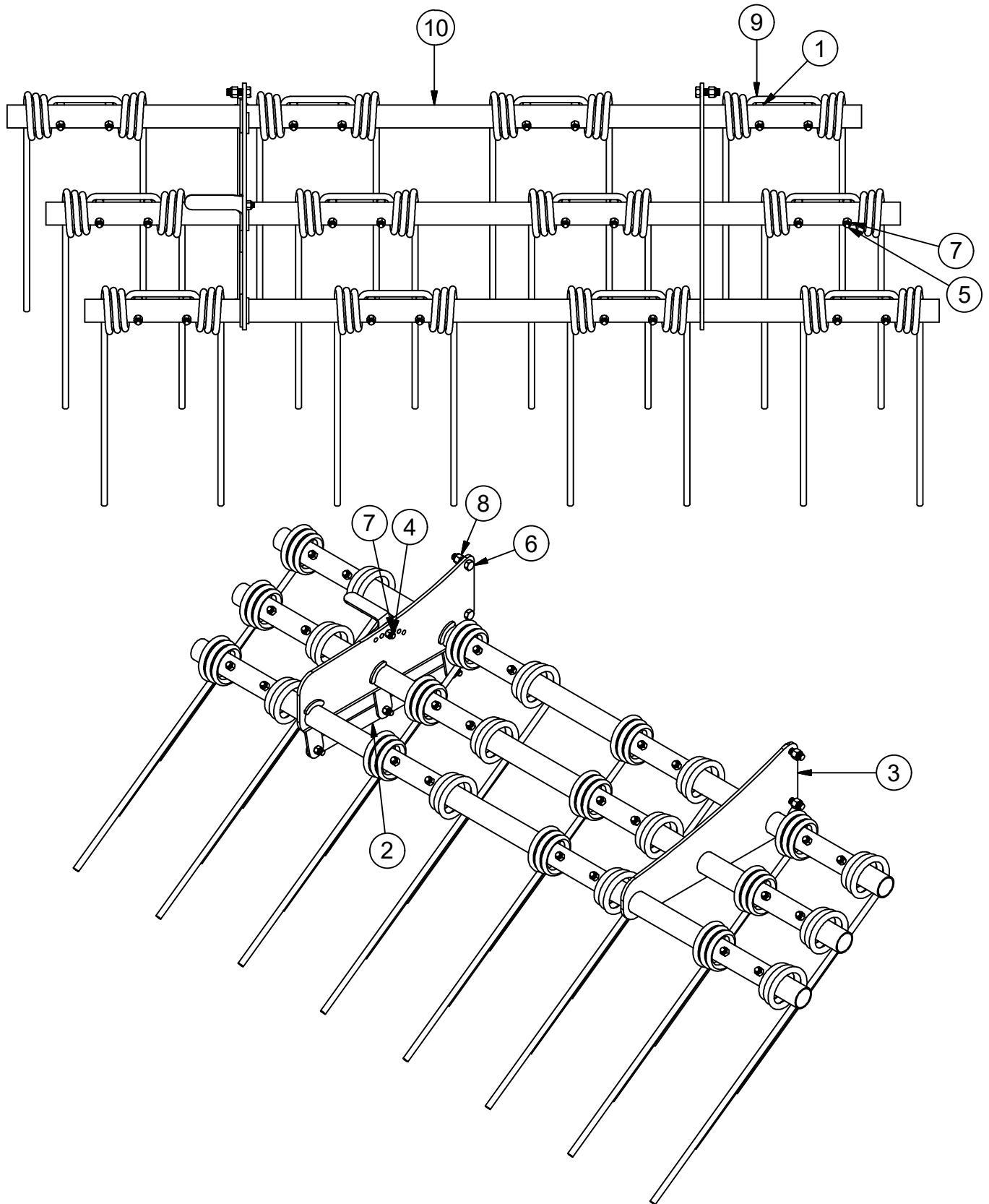
AC001017: 2-Row Harrow Assembly - 6'			AC001017: 2-Row Harrow Assembly - 6'		
ITEM	PART NUMBER	DESCRIPTION	ITEM	PART NUMBER	DESCRIPTION
1	Inquire	Bushing, Tine	6	R0130820	Bolt, Grade 8, 5/8"-11 x 2"
2	Inquire	Plate, Mount, 2-Row Harrow	7	R0410106	Nut, Nylon Insert Lock, Grade 2, 1/2"-13
3	Inquire	Bar, Linkage, 2-Row Harrow	8	R0410108	Nut, Nylon Insert Lock, Grade 2, 5/8"-11
4	R0110615	Bolt, Grade 5, 1/2"-13 x 1-1/2"	9	R9930001	Harrow Tine, 0.562 X 26"
5	R0130640	Bolt, Grade 8, 1/2"-13 x 4"	10	Inquire	Bars, 2-Row Harrow: 6'



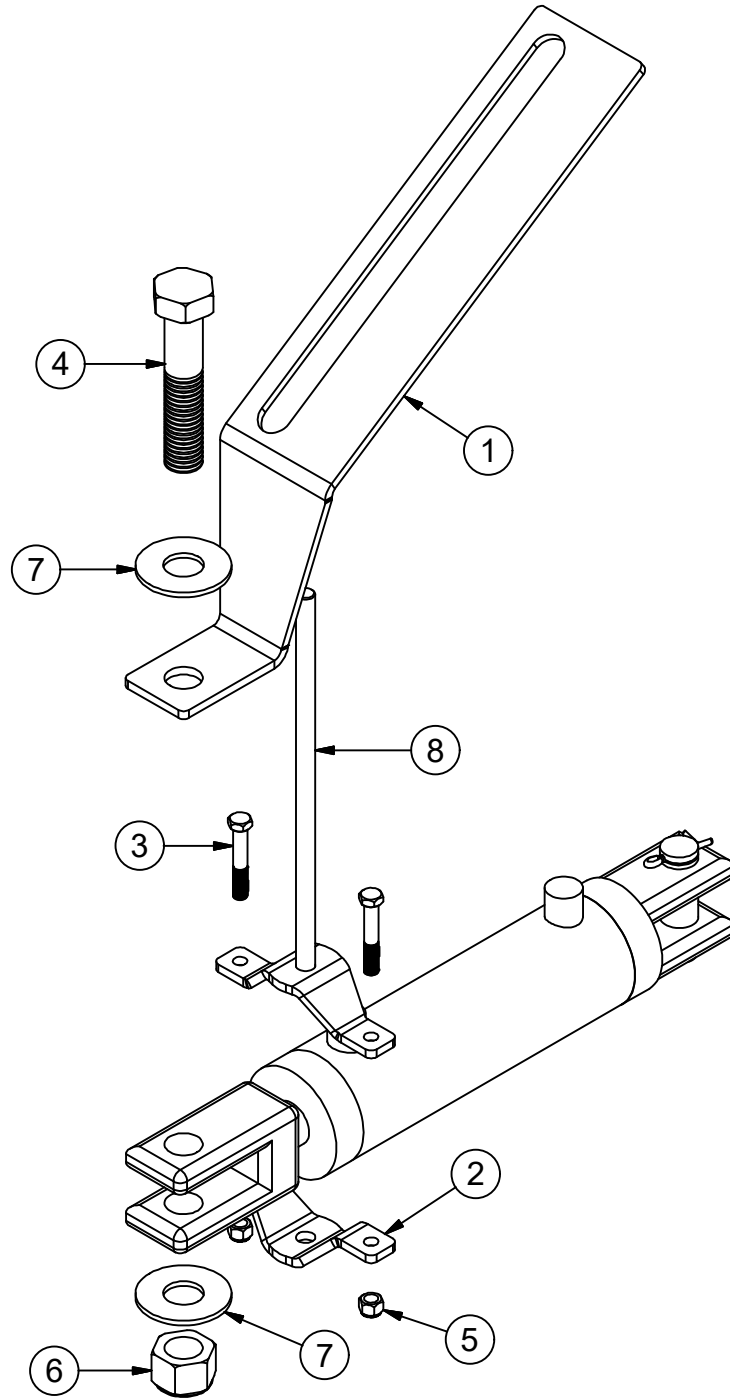
AC001018: 3-Row Harrow Assembly - 6'			AC001018: 3-Row Harrow Assembly - 6'		
ITEM	PART NUMBER	DESCRIPTION	ITEM	PART NUMBER	DESCRIPTION
1	Inquire	Bushing, Tine	6	R0130820	Bolt, Grade 8, 5/8"-11 x 2"
2	Inquire	Bar, Linkage. 3-Row Harrow	7	R0410106	Nut, Nylon Insert Lock, Grade 2, 1/2"-13
3	Inquire	Plate, Mount, 3-Row Harrow	8	R0410108	Nut, Nylon Insert Lock, Grade 2, 5/8"-11
4	R0110615	Bolt, Grade 5, 1/2"-13 x 1-1/2"	9	R9930001	Harrow Tine, 0.562 X 26"
5	R0130640	Bolt, Grade 8, 1/2"-13 x 4"	10	Inquire	Bars, 3-Row Harrow: 6'



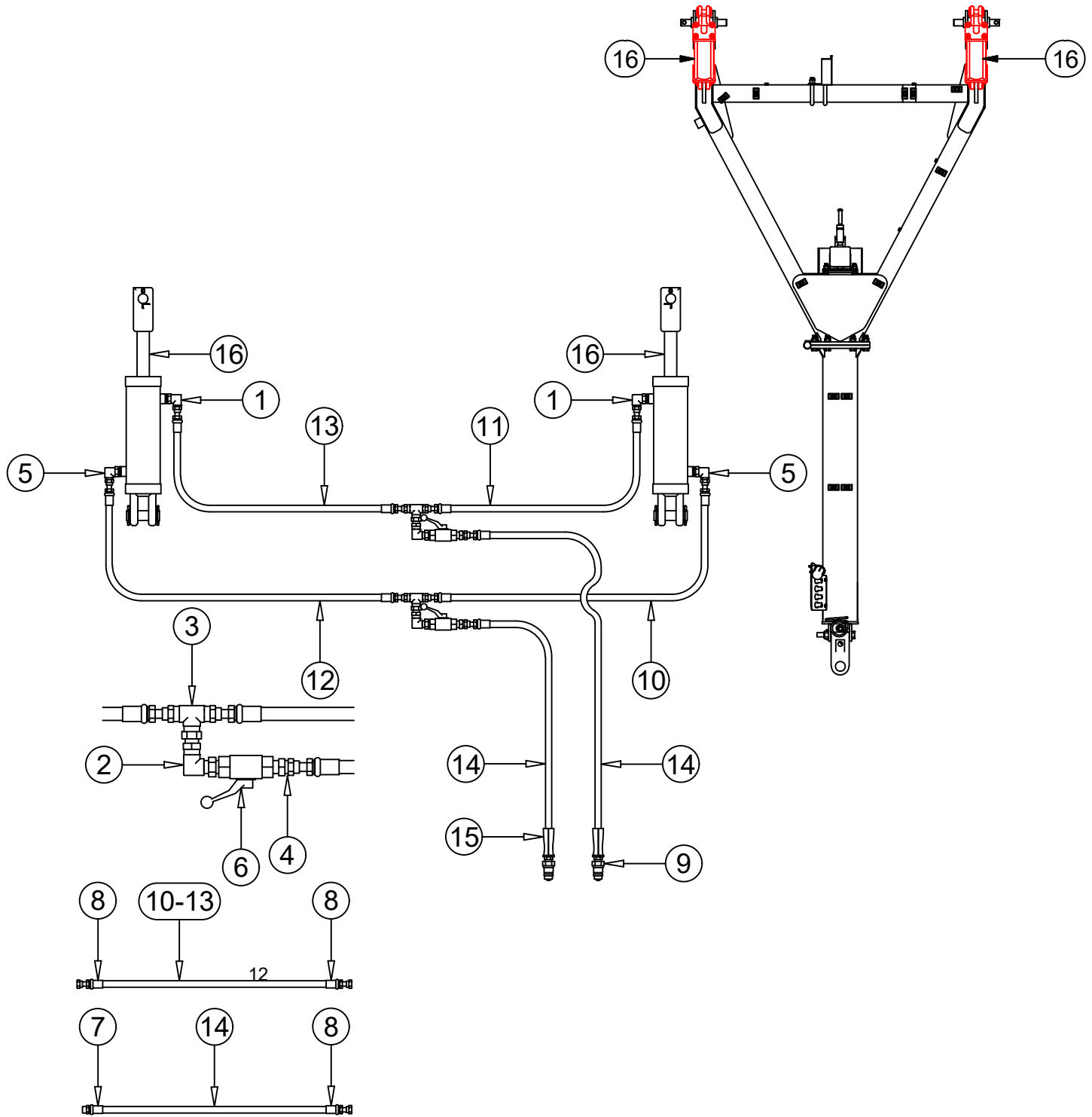
AC001019: 2-Row Harrow Assembly -8'			AC001019: 2-Row Harrow Assembly -8'		
ITEM	PART NUMBER	DESCRIPTION	ITEM	PART NUMBER	DESCRIPTION
1	Inquire	Bushing, Tine	6	R0130820	Bolt, Grade 8, 5/8"-11 x 2"
2	Inquire	Plate, Mount, 2-Row Harrow	7	R0410106	Nut, Nylon Insert Lock, Grade 2, 1/2"-13
3	Inquire	Bar, Linkage, 2-Row Harrow	8	R0410108	Nut, Nylon Insert Lock, Grade 2, 5/8"-11
4	R0110615	Bolt, Grade 5, 1/2"-13 x 1-1/2"	9	R9930001	Harrow Tine, 0.562 X 26"
5	R0130640	Bolt, Grade 8, 1/2"-13 x 4"	10	Inquire	Bars, 2-Row Harrow: 8'



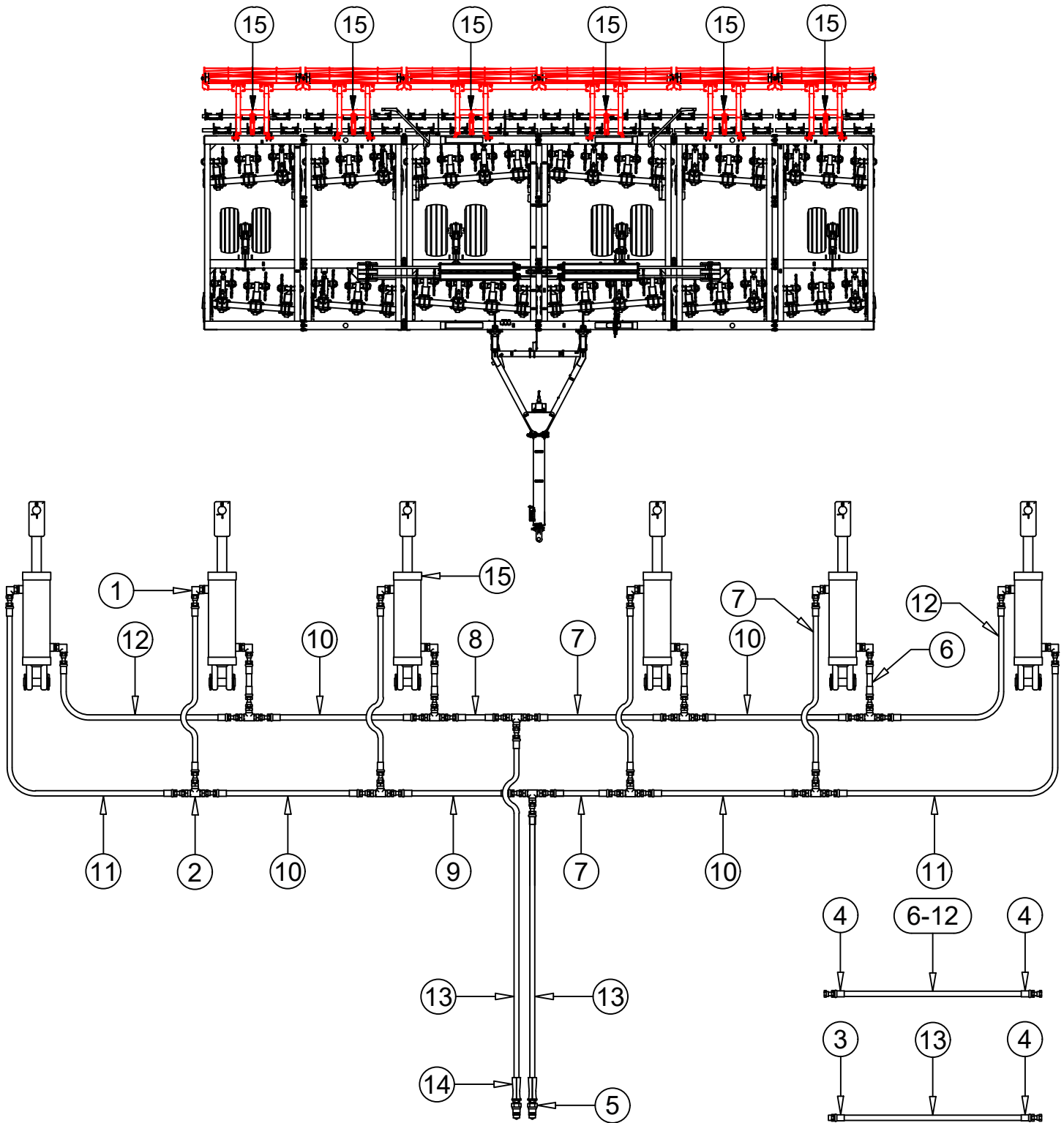
AC001020: 3-Row Harrow Assembly - 8'			AC001020: 3-Row Harrow Assembly - 8'		
ITEM	PART NUMBER	DESCRIPTION	ITEM	PART NUMBER	DESCRIPTION
1	Inquire	Bushing, Tine	6	R0130820	Bolt, Grade 8, 5/8"-11 x 2"
2	Inquire	Bar, Linkage. 3-Row Harrow	7	R0410106	Nut, Nylon Insert Lock, Grade 2, 1/2"-13
3	Inquire	Plate, Mount, 3-Row Harrow	8	R0410108	Nut, Nylon Insert Lock, Grade 2, 5/8"-11
4	R0110615	Bolt, Grade 5, 1/2"-13 x 1-1/2"	9	R9930001	Harrow Tine, 0.562 X 26"
5	R0130640	Bolt, Grade 8, 1/2"-13 x 4"	10	Inquire	Bars, 3-Row Harrow: 8'



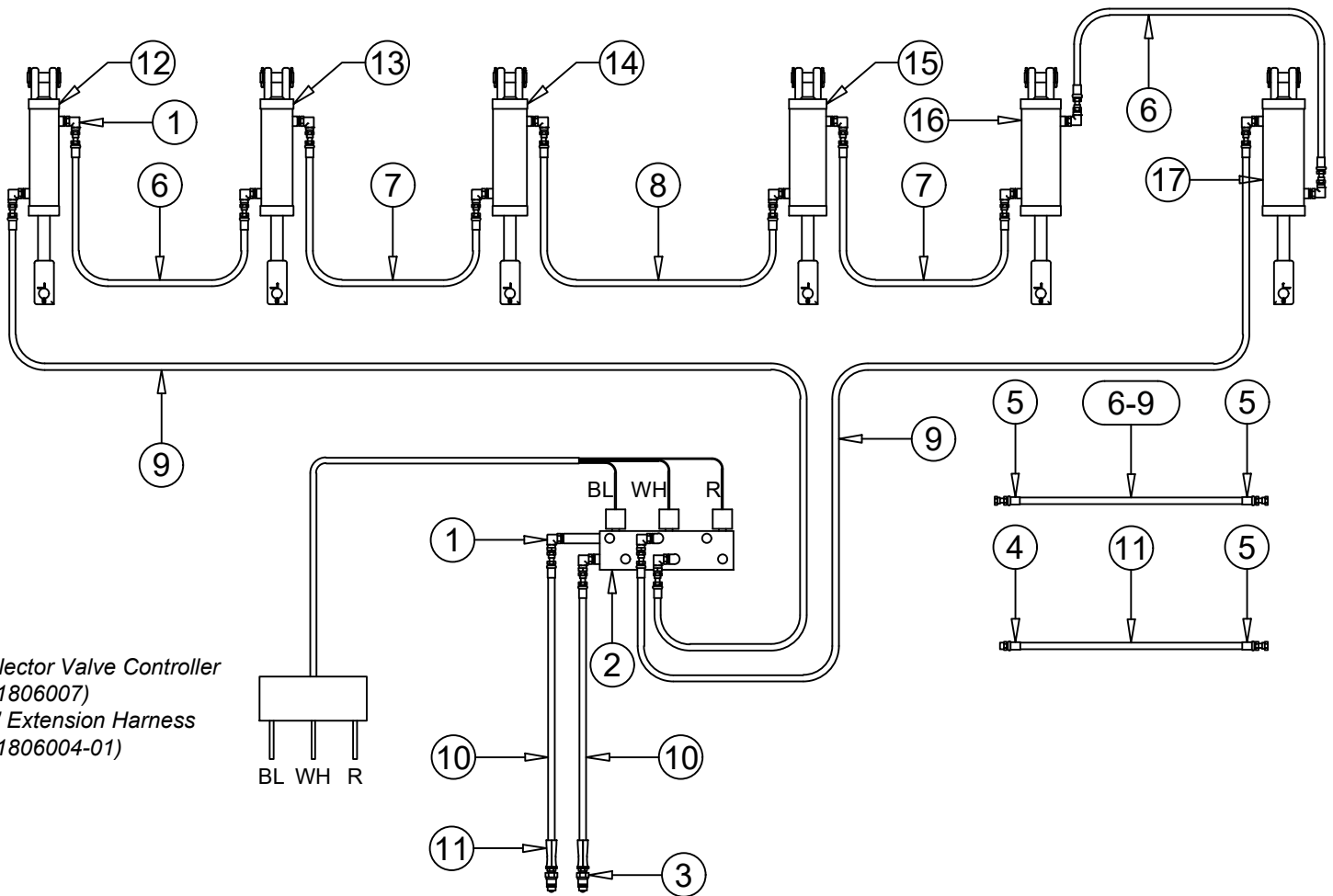
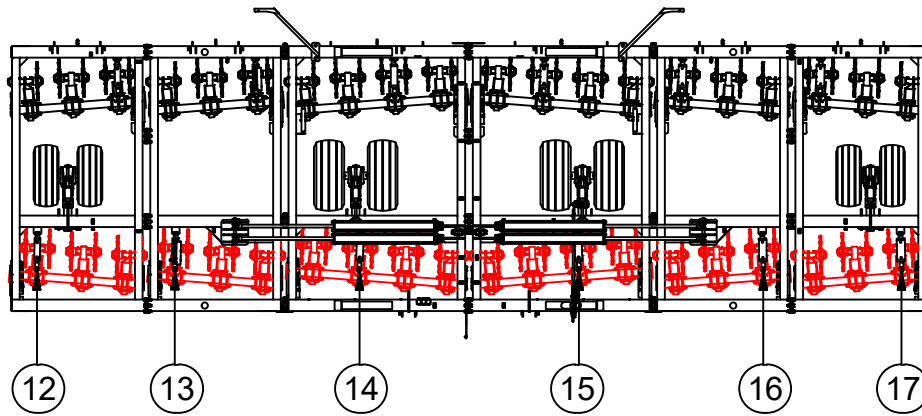
Tool Bar Angle Marker Parts List			Tool Bar Angle Marker Parts List		
ITEM	PART NUMBER	DESCRIPTION	ITEM	PART NUMBER	DESCRIPTION
1	Inquire	Gauge, Tool Bar Angle	5	R0410104	Nut, Nylon Insert Lock, Grade 2, 3/8"-16
2	Inquire	Mount Bracket, Indicator	6	R0410111	Nut, Nylon Insert Lock, Grade 2, 1"-8
3	R0110423	Bolt, Grade 5, 3/8"-16 x 2-1/4"	7	R0510111	Washer, USS, 1" x 2.500"
4	R0131150	Bolt, Grade 8, 1"-8 x 5"	8	Inquire	Rod Bracket, Indicator



AM001601: Hydraulic Schematic, Hitch			AM001601: Hydraulic Schematic, Hitch		
ITEM	PART NUMBER	DESCRIPTION	ITEM	PART NUMBER	DESCRIPTION
1	R1802007	MORFS 6 to MORB 8, 90 Degree	9	R1805000	Tip, Ball, Male: 1/2" NPT
2	R1802028	MORFS 6 to MORB 6, 90 Degree	10	R1810022	Hose, Hydraulic, Complete: 3/8 - 22
3	R1802032	Swivel FORFS 6 to MORFS 6 Tee	11	R1810032	Hose, Hydraulic, Complete: 3/8 - 32
4	R1802041	MORB 6 to MORFS 6 Straight	12	R1810038	Hose, Hydraulic, Complete: 3/8 - 38
5	R1802045	MORFS 6 to MORB 8, 90 Degree Restrictor	13	R1810049	Hose, Hydraulic, Complete: 3/8 - 49
6	R1803006	ORB 6 HP BALL VALVE 7250 PSI	14	R1810216	Hose, Hydraulic, Complete: 3/8 - 216
7	R1804002	Hose Crimp 6 (3/8") to MNPT 8 (1/2")	15	R1899010	Grips, Hose, Hydraulic: 1/2" NPT - Blue
8	R1804006	Hose Crimp 6 (3/8") to FORFS 6	16	R1940801	Cylinder: 4" x 8" - 18-1/4" Ret.

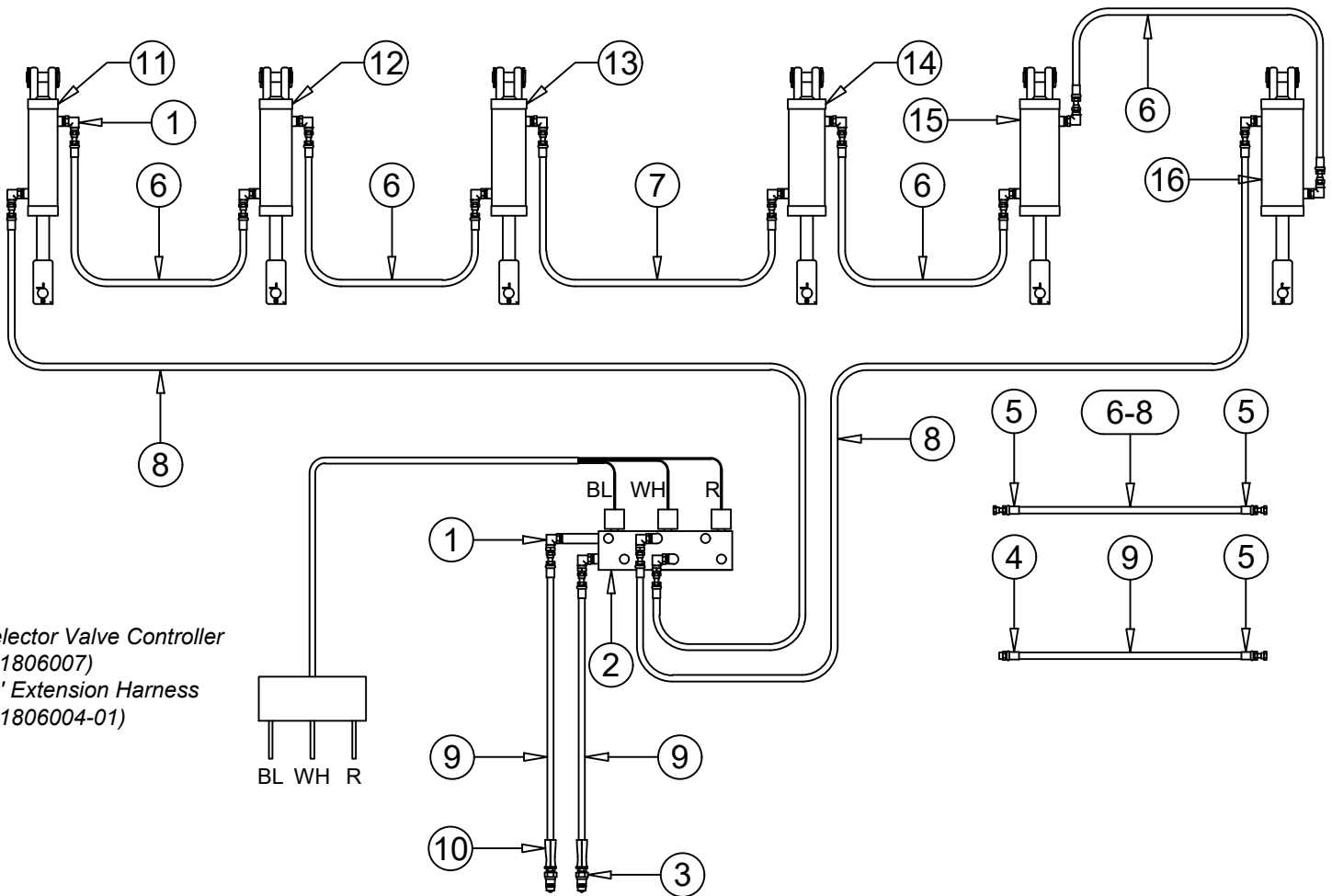
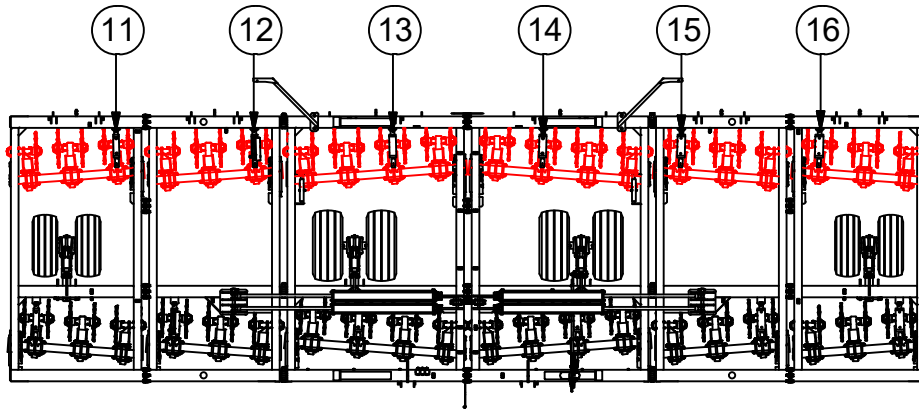


40 Ft Hydraulic Schematic, Hitch			40 Ft Hydraulic Schematic, Hitch		
ITEM	PART NUMBER	DESCRIPTION	ITEM	PART NUMBER	DESCRIPTION
1	R1802045	MORFS 6 to MORB 8, 90 Degree Restrictor	9	R1810056	Hose, Hydraulic: 3/8 - 56
2	R1802031	MORFS 6 to MORFSs 6 Tee	10	R1810060	Hose, Hydraulic: 3/8 - 60
3	R1804002	Hose Crimp 6 (3/8") to MNPT 8 (1/2")	11	R1810084	Hose, Hydraulic: 3/8 - 84
4	R1804006	Hose Crimp 6 (3/8") to FORFS 6	12	R1810090	Hose, Hydraulic: 3/8 - 90
5	R1805000	Tip, Ball, Male: 1/2" NPT	13	R1810366	Hose, Hydraulic: 3/8 - 366
6	R1810018	Hose, Hydraulic: 3/8 - 18	14	R1899012	Grips, Hose, Hydraulic: 1/2" NPT - Red
7	R1810048	Hose, Hydraulic: 3/8 - 48	15	R1930300	Cylinder, Tie-Rod: 3" x 3"
8	R1810054	Hose, Hydraulic: 3/8 - 54		R1920300	(NA) Cylinder, Tie-Rod: 2" x 3"

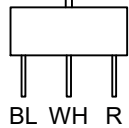


Selector Valve Controller
(R1806007)
20' Extension Harness
(R1806004-01)

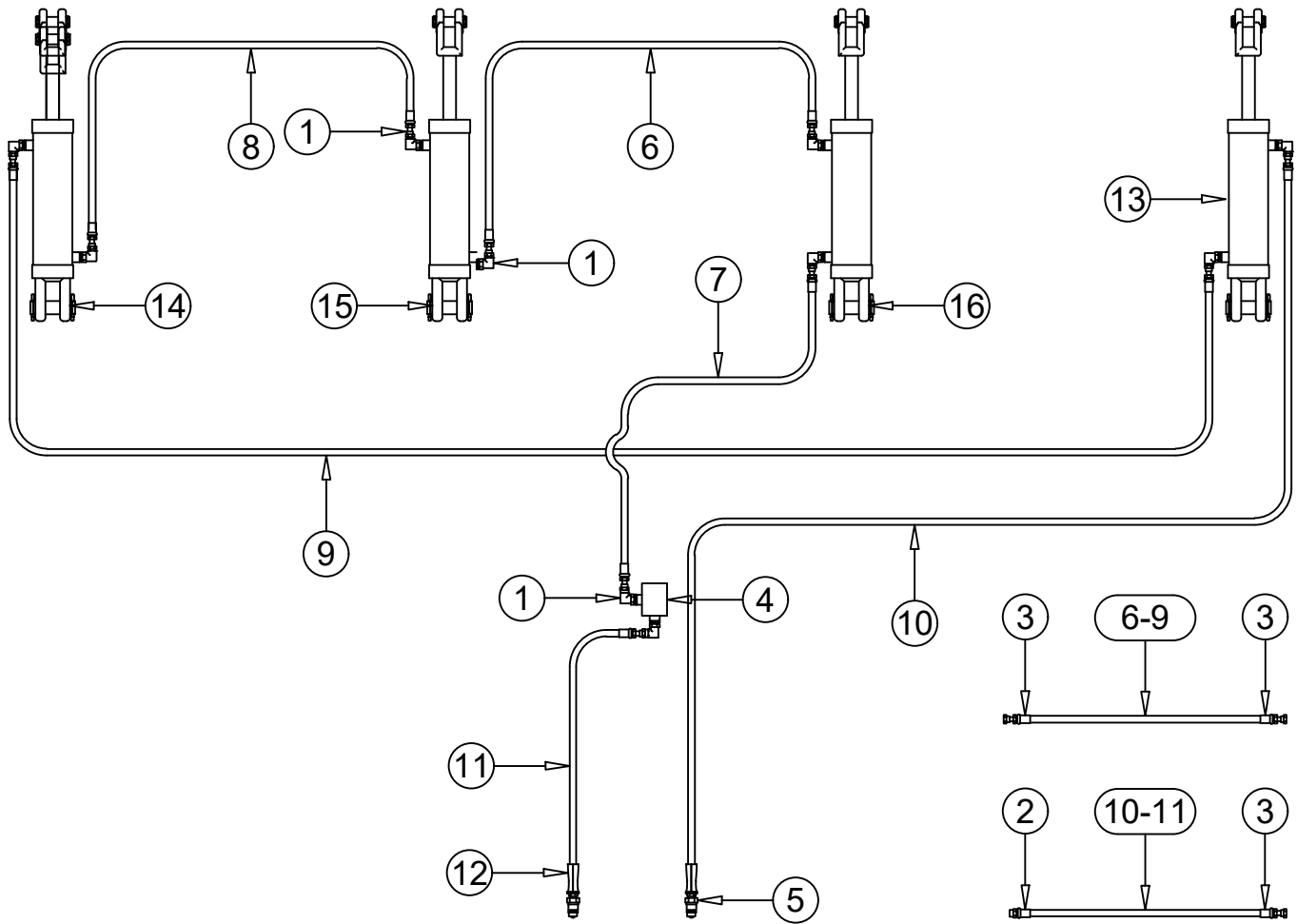
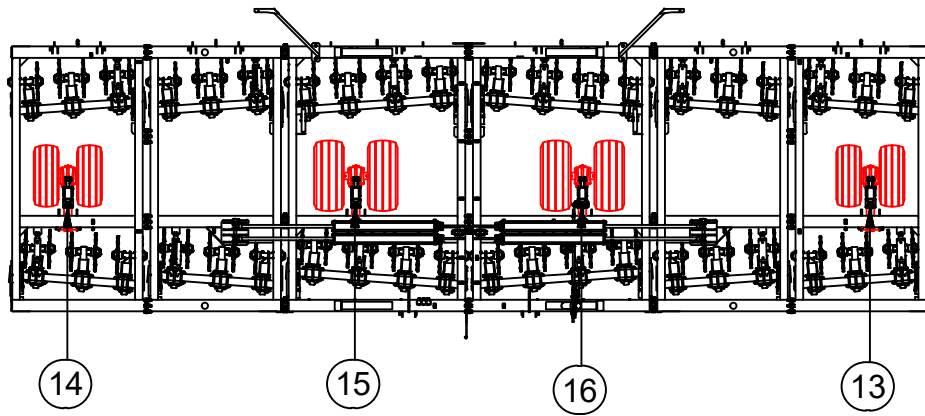
AM001605: Hydraulic Schematic, Tool Bars, Front			AM001605: Hydraulic Schematic, Tool Bars, Front		
ITEM	PART NUMBER	DESCRIPTION	ITEM	PART NUMBER	DESCRIPTION
1	R1802007	MORFS 6 to MORB 8, 90 Degree	10	R1810222	Hose, Hydraulic, Complete: 3/8 - 222
2	R1803007	Selector Valve. 1 - 3 ports w/Wiring & Box	11	R1899013	Grips, Hose, Hydraulic: 1/2" NPT - Yellow
3	R1805000	Tip, Ball, Male: 1/2" NPT	12	R1920801	Cylinder, Reph: 2.50" x 8" - 18.25" Ret.
4	R1804002	Hose Crimp 6 (3/8") to Male NPT 8 (1/2")	13	R1920802	Cylinder, Reph: 2.75" x 8" - 18.25" Ret.
5	R1804006	Hose Crimp 6 (3/8") to Female ORFS 6	14	R1930804	Cylinder, Reph: 3.00" x 8" - 18.25" Ret.
6	R1810081	Hose, Hydraulic, Complete: 3/8 - 81	15	R1930805	Cylinder, Reph: 3.25" x 8" - 18.25" Ret.
7	R1810104	Hose, Hydraulic, Complete: 3/8 - 104	16	R1930806	Cylinder, Reph: 3.50" x 8" - 18.25" Ret.
8	R1810124	Hose, Hydraulic, Complete: 3/8 - 124	17	R1930809	Cylinder, Reph: 3.75" x 8" - 18.25" Ret.
9	R1810288	Hose, Hydraulic, Complete: 3/8 - 288			



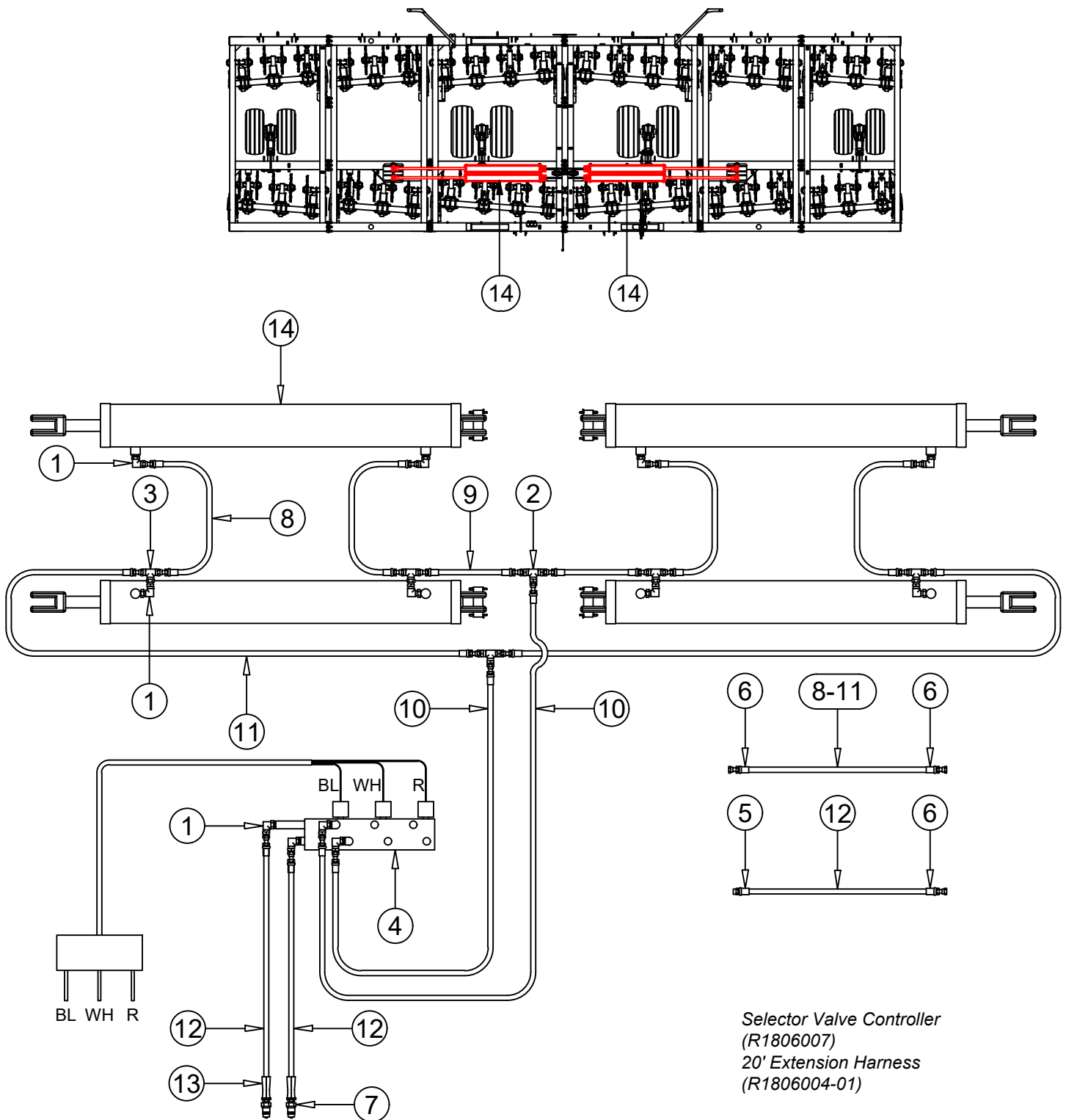
Selector Valve Controller
(R1806007)
20' Extension Harness
(R1806004-01)



AM001605: Hydraulic Schematic, Tool Bars, Rear			AM001605: Hydraulic Schematic, Tool Bars, Rear		
ITEM	PART NUMBER	DESCRIPTION	ITEM	PART NUMBER	DESCRIPTION
1	R1802007	MORFS 6 to MORB 8, 90 Degree	9	R1810222	Hose, Hydraulic, Complete: 3/8 - 222
2	R1803007	Selector Valve. 1 - 3 ports w/Wiring & Box	10	R1899013	Grips, Hose, Hydraulic: 1/2" NPT - Yellow
3	R1805000	Tip, Ball, Male: 1/2" NPT	11	R1920801	Cylinder, Reph: 2.50" x 8" - 18.25" Ret.
4	R1804002	Hose Crimp 6 (3/8") to Male NPT 8 (1/2")	12	R1920802	Cylinder, Reph: 2.75" x 8" - 18.25" Ret.
5	R1804006	Hose Crimp 6 (3/8") to Female ORFS 6	13	R1930804	Cylinder, Reph: 3.00" x 8" - 18.25" Ret.
6	R1810078	Hose, Hydraulic, Complete: 3/8 - 78	14	R1930805	Cylinder, Reph: 3.25" x 8" - 18.25" Ret.
7	R1810086	Hose, Hydraulic, Complete: 3/8 - 86	15	R1930806	Cylinder, Reph: 3.50" x 8" - 18.25" Ret.
8	R1810330	Hose, Hydraulic, Complete: 3/8 - 330	16	R1930809	Cylinder, Reph: 3.75" x 8" - 18.25" Ret.

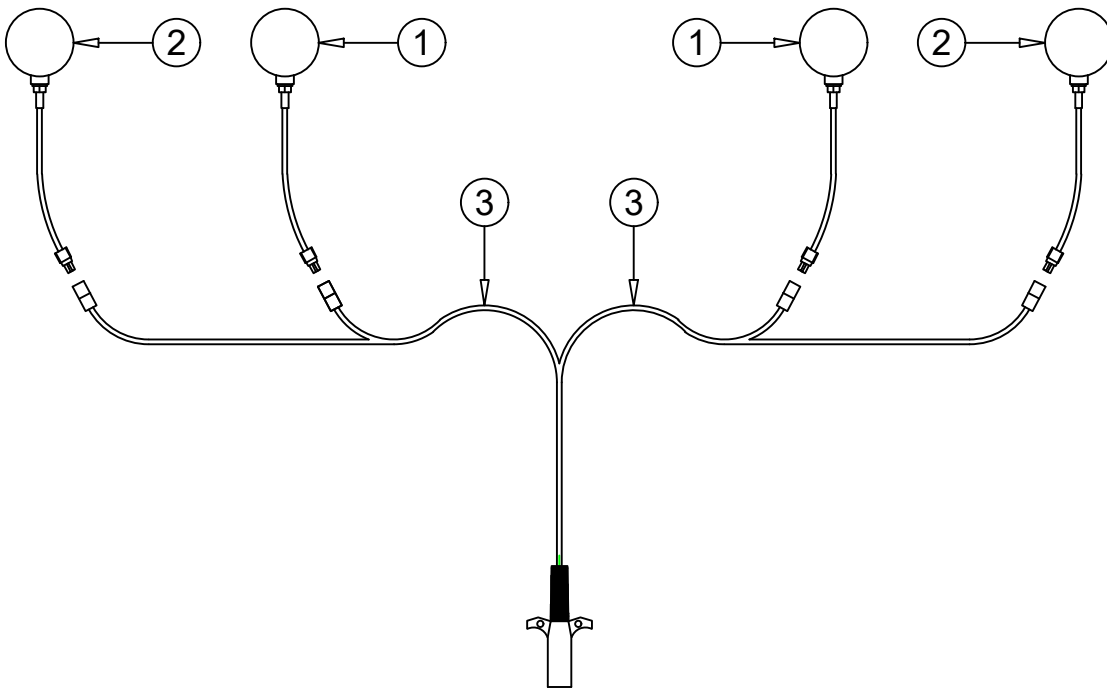
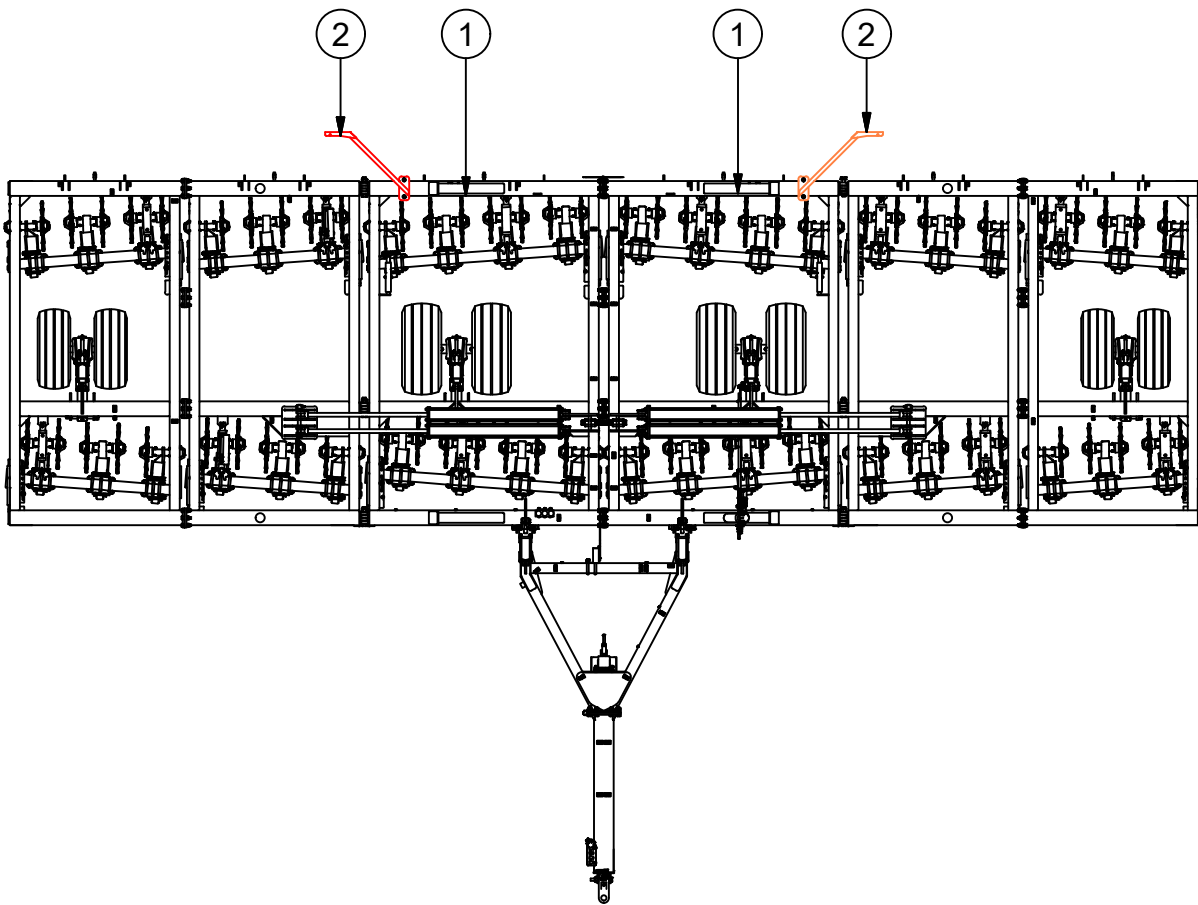


AM001602: Hydraulic Schematic, Wheels			AM001602: Hydraulic Schematic, Wheels		
ITEM	PART NUMBER	DESCRIPTION	ITEM	PART NUMBER	DESCRIPTION
1	R1802007	MORFS 6 to MORB 8, 90 Degree	9	R1810433	Hose, Hydraulic: 3/8 - 433
2	R1804002	Hose Crimp 6 (3/8") to MNPT 8 (1/2")	10	R1810504	Hose, Hydraulic: 3/8 - 504
3	R1804006	Hose Crimp 6 (3/8") to FORFS 6	11	R1810252	Hose, Hydraulic: 3/8 - 252
4	R1803001	Valve, Depth Control	12	R1899011	Grips, Hose, Hydraulic: 1/2" NPT - Green
5	R1805000	Tip, Ball, Male: 1/2" NPT	13	R1931205	Cylinder, Repr: 3.75" x 12", 22-1/4" Ret.
6	R1810136	Hose, Hydraulic: 3/8 - 136	14	R1941206	Cylinder, Repr: 4.00" x 12", 22-1/4" Ret.
7	R1810162	Hose, Hydraulic: 3/8 - 162	15	R1941207	Cylinder, Repr: 4.25" x 12", 22-1/4" Ret.
8	R1810182	Hose, Hydraulic: 3/8 - 182	16	R1951208	Cylinder, Repr: 4.50" x 12", 22-1/4" Ret.

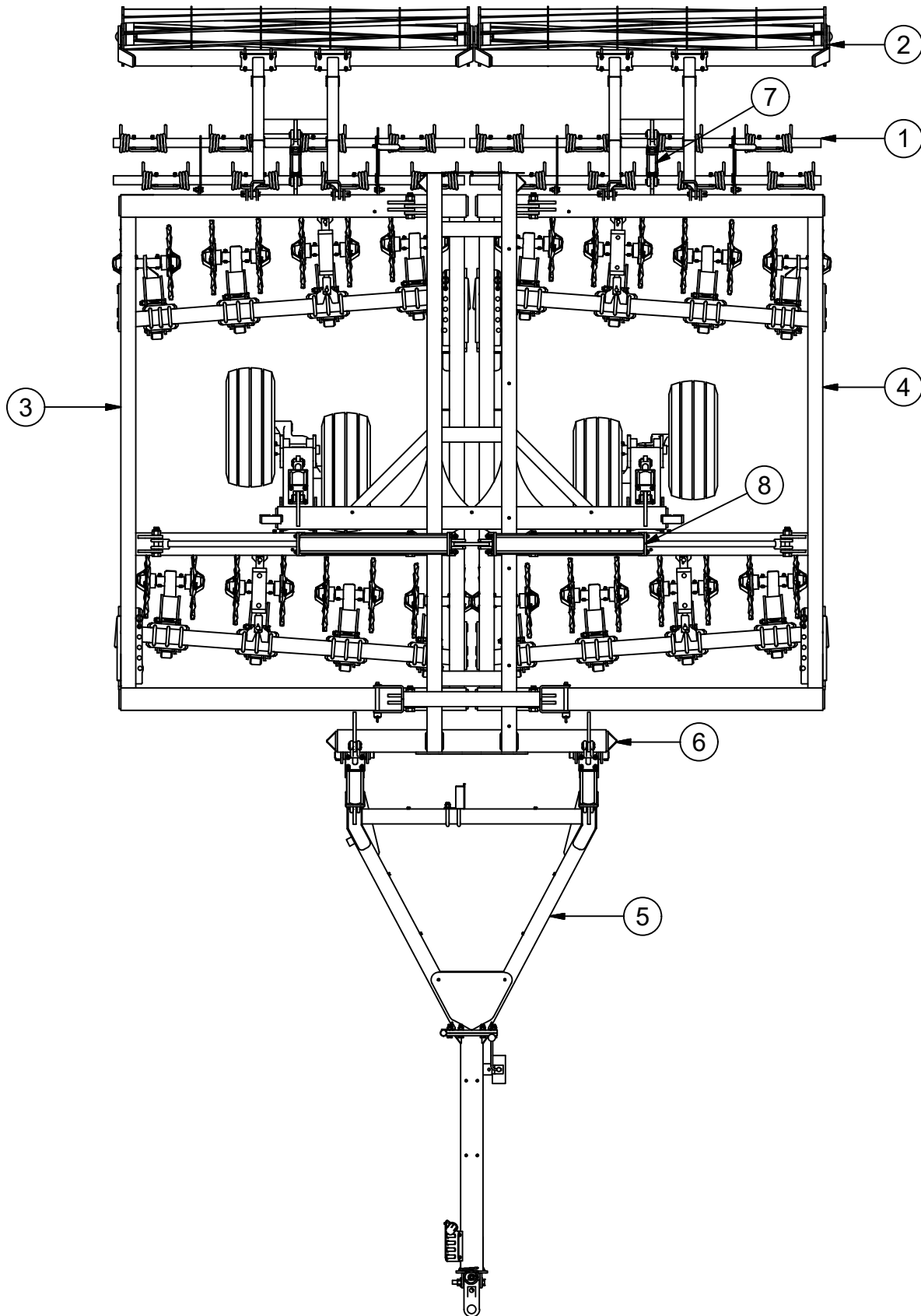


Selector Valve Controller
(R1806007)
20' Extension Harness
(R1806004-01)

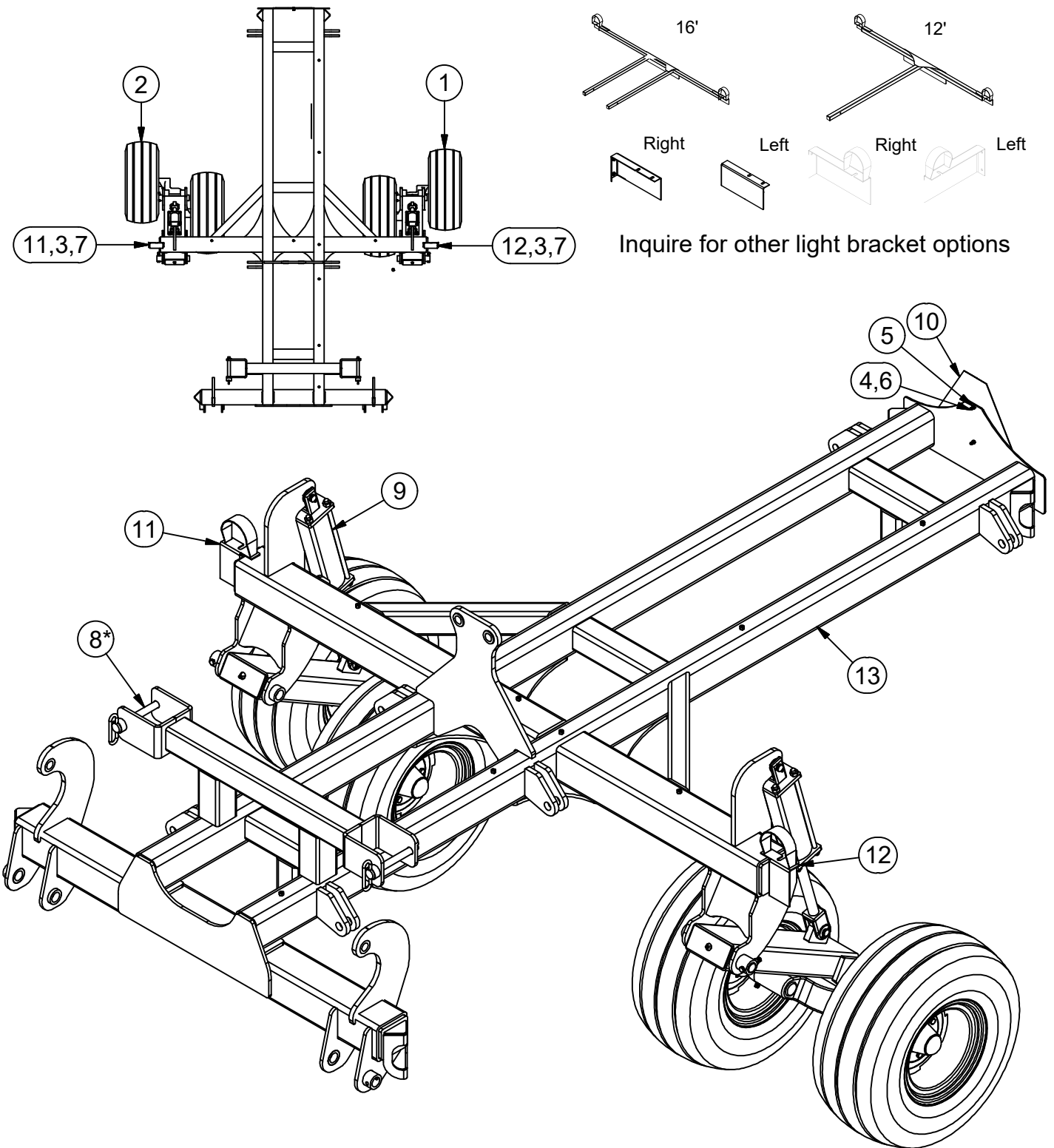
Parts List			Parts List		
ITEM	PART NUMBER	DESCRIPTION	ITEM	PART NUMBER	DESCRIPTION
1	R1802007	MORFS 6 to MORB 8, 90 Degrees	8	R1810012	Hose, Hydraulic: 3/8 - 12
2	R1802031	MORFS 6 to MORFSs 6 Tee	9	R1810018	Hose, Hydraulic: 3/8 - 18
3	R1802032	Swivel FORFS 6 to MORFSs 6 Tee	10	R1810050	Hose, Hydraulic: 3/8 - 50
4	R1803007	Selector Valve. 1 - 3 ports w/Wiring & Box	11	R1810070	Hose, Hydraulic: 3/8 - 70
5	R1804002	Hose Crimp 6 (3/8") to MNPT 8 (1/2")	12	R1810222	Hose, Hydraulic: 3/8 - 222
6	R1804006	Hose Crimp 6 (3/8") to FORFS 6	13	R1899013	Grips, Hose, Hydraulic: 1/2" NPT - Yellow
7	R1805000	Tip, Ball, Male: 1/2" NPT	14	R1954801	Cylinder, Tie-rod: 5" x 48" - 58-1/4" Ret.



40 Ft Twister Hazard Lights Parts List			40 Ft Twister Hazard Lights Parts List		
ITEM	PART NUMBER	DESCRIPTION	ITEM	PART NUMBER	DESCRIPTION
1	R1701012	Harness, Hazard Light	3		Harness, Plug, Hazard Lights
2	R1701011	Harness, Hazard Light			

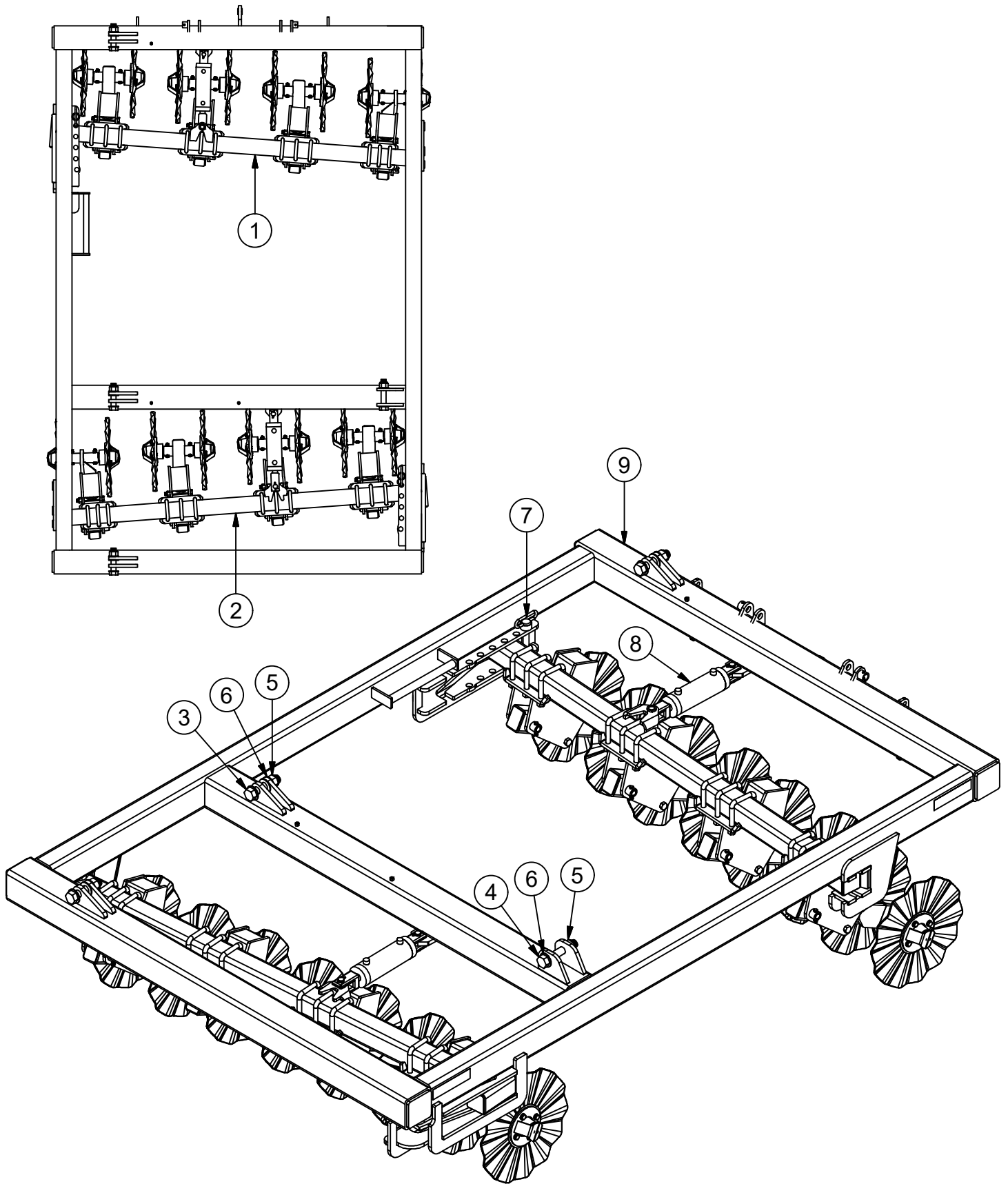


T1630 Parts List			T1630 Parts List		
ITEM	PART NUMBER	DESCRIPTION	ITEM	PART NUMBER	DESCRIPTION
1	AC001019	Harrow Assembly, 2-Row: 8'	5	AM001575	Folding Hitch Assembly, Light Duty
2	AC001563	Rolling Basket Assembly: 8 Ft	6	AM001601	16 Ft Twister Main Frame Assembly
3	AM001527	Main Frame Assembly, Folding, RH: 8'	7	R1930300	Cylinder, Tie-Rod: 3" x 3"
4	AM001528	Main Frame Assembly, Folding, LH: 8'	8	R1953601	Cylinder, Tie-Rod: 5" x 36"

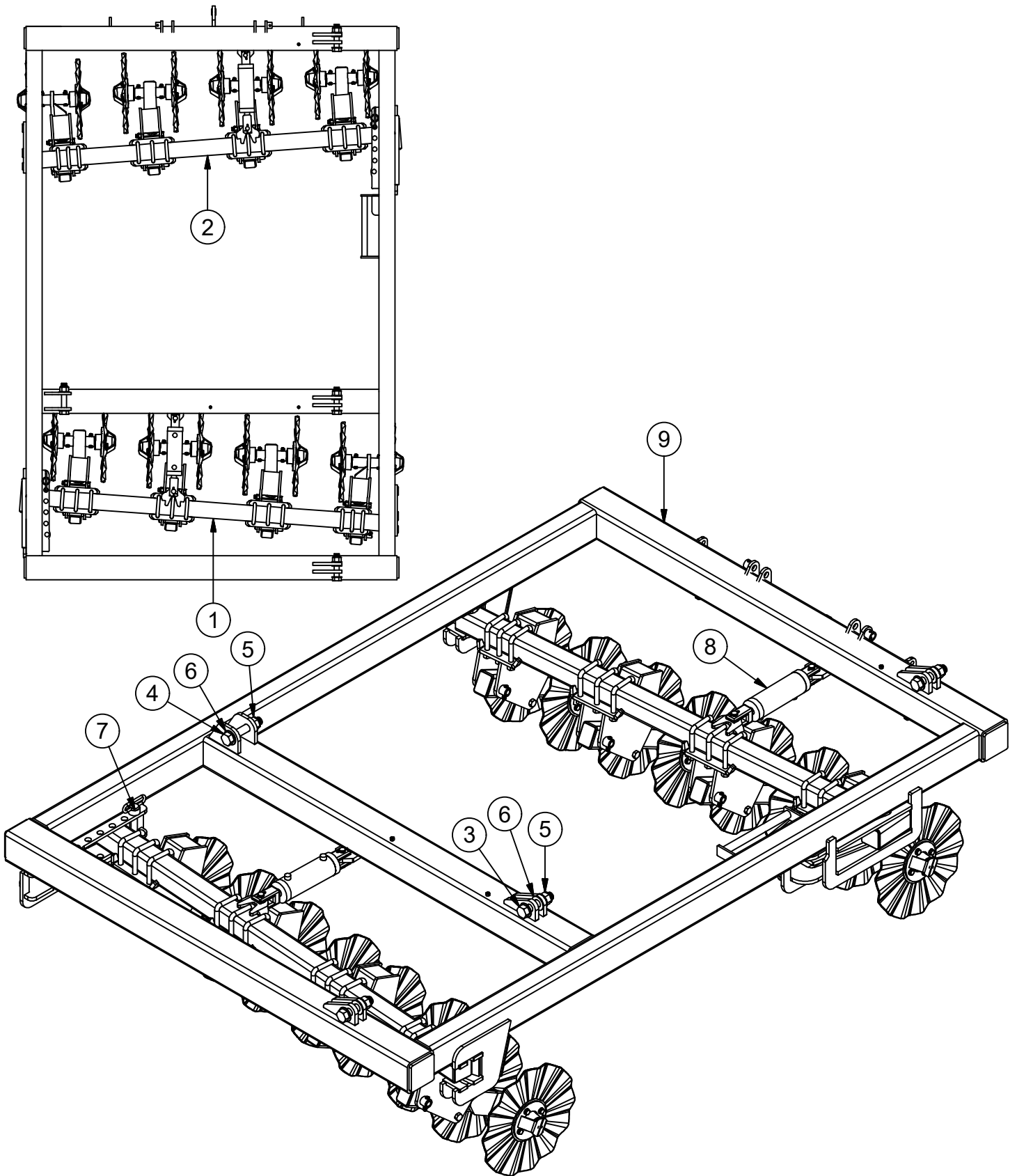


AM001601: 16 ft Twister Main Frame Assembly			AM001601: 16 ft Twister Main Frame Assembly		
ITEM	PART NUMBER	DESCRIPTION	ITEM	PART NUMBER	DESCRIPTION
1	AC001015	Assembly, Floatation Axle & Wheel: RH	8	R0810751	Pin, Hitch: 1" x 7-1/2" Red D-handle W/ Clip
2	AC001016	Assembly, Floatation Axle & Wheel: LH	9	R1941201	Cylinder, Tie-Rod: 4" x 12"
3	R0104101	Bolt: 3/8" x 1"	10	R9913001	Sign, SMV Emblem w/ Aluminum backing
4	R0130210	Bolt, Grade 8, 1/4"-20 x 1"	11	WC001561	Light Bracket
5	R0410102	Nut, Nylon Insert Lock, Grade 2, 1/4"-20	12	WC001562	Light Bracket
6	R0510102	Washer, USS, 1/4" x 0.625"	13	WM001601	Frame, Main
7	R0610003	Lock Washer, 3/8", Medium			

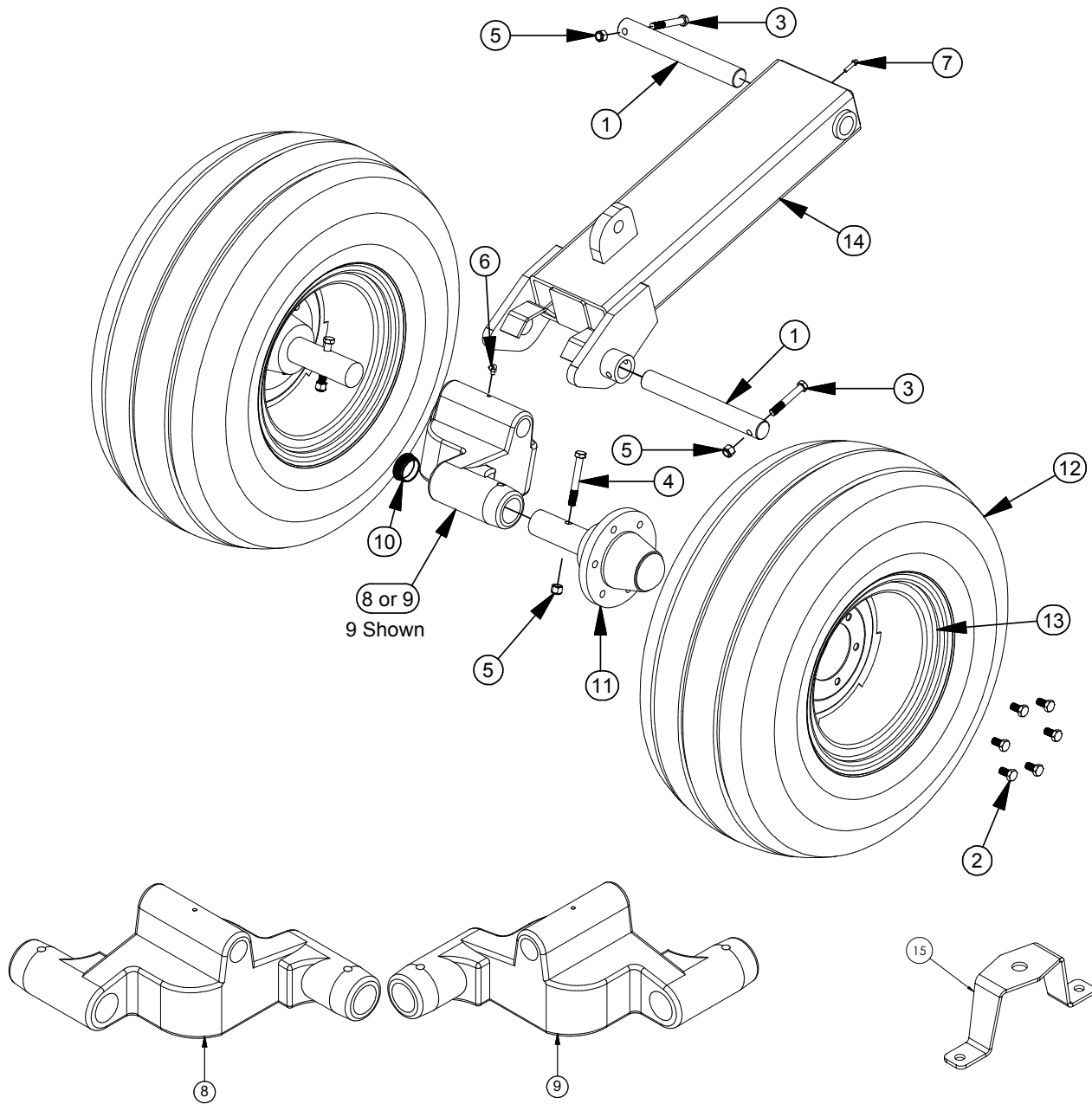
* Some models use R



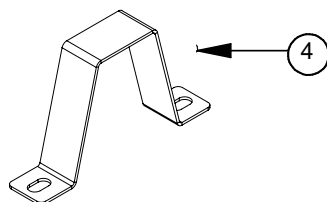
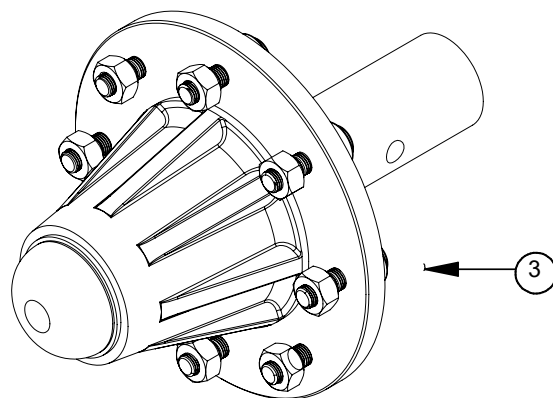
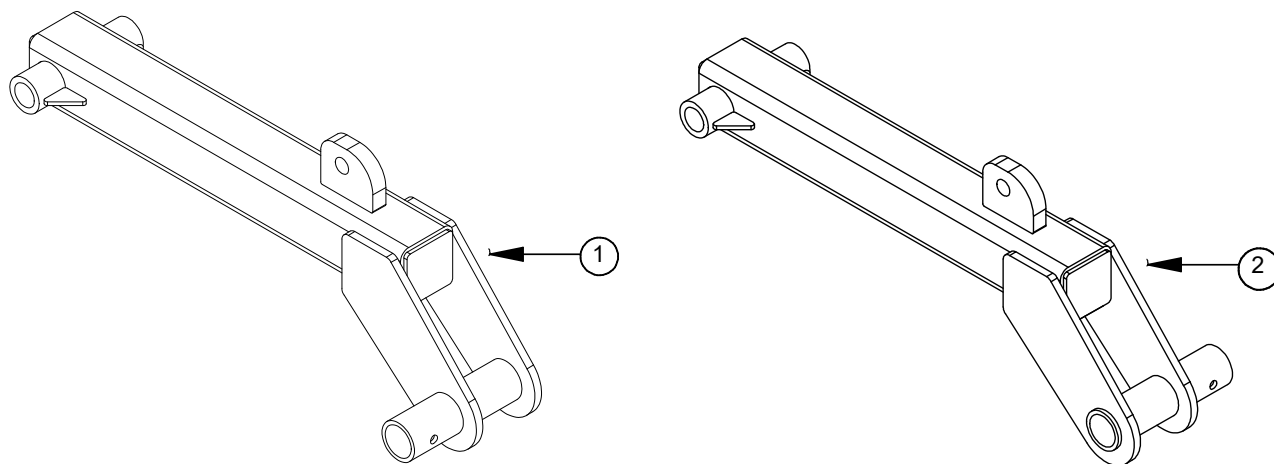
AM111528: Wing, Left, 16 Ft Euro			AM111528: Wing, Left, 16 Ft Euro		
ITEM	PART NUMBER	DESCRIPTION	ITEM	PART NUMBER	DESCRIPTION
1	AC001516	Assembly, Coulter Bar, LH: 8'	6	R0510213	Washer, SAE, 1-1/4" x 2.500"
2	AC001554	Assembly, Coulter Bar, LH: 8'	7	R0810751	Pin, Hitch: 1" x 7-1/2" Red D-handle W/ Clip
3	R0113602	Bolt, Grd 8: 1-1/4" x 6"	8	R1920801	Cylinder, Reph 2.50" x 8" - 18.25" Ret.
4	R0131385	Bolt, Grade 8, 1-1/4"-7 x 8-1/2" (Cut to 7")	9	WM001528	Frame, Main, Folding, LH: 8'
5	R0410113	Nut, Nylon Insert Lock, Grade 2, 1-1/4"-7			



AM111527: Wing, Right, 16 Ft Euro			AM111527: Wing, Right, 16 Ft Euro		
ITEM	PART NUMBER	DESCRIPTION	ITEM	PART NUMBER	DESCRIPTION
1	AC001553	Assembly, Coulter Bar, RH: 8'	6	R0510213	Washer, SAE, 1-1/4" x 2.500"
2	AC001554	Assembly, Coulter Bar, LH: 8'	7	R0810751	Pin, Hitch: 1" x 7-1/2" Red D-handle W/ Clip
3	R0113602	Bolt, Grd 8: 1-1/4" x 6"	8	R1920802	Cylinder, Reph: 2.75" x 8" - 18.25" Ret.
4	R0131385	Bolt, Grade 8, 1-1/4"-7 x 8-1/2" (Cut to 7")	9	WM001527	Frame, Main, Folding, RH: 8'
5	R0410113	Nut, Nylon Insert Lock, Grade 2, 1-1/4"-7			



Item	Part #	Description	Item	Part #	Description
1	PR151004	Pin: 1-1/2" x 12"	9	R9901002	Walking Axle, Cast: Left
2	R0150713	Bolt, Lug, Fine: 9/16" x 1-1/4"	10	R9900001	Cap, Plastic: 2"
3	R0130635	Bolt: 1/2" x 3-1/2"	11	R9903001-04	6-Bolt Wheel Hub/Spindle Assembly
4	R0130640	Bolt: 1/2" x 4"	12	Inquire	Tire, Flotation: 12.5 L
5	R0410106	Nut, Lock: 1/2"	13	Inquire	Wheel (See Pg. 52)
6	R1502503	Zerk, Grease: 1/8" NPT 90°	14	WC001001	Twister Axle Arm
7	R1502509	Zerk, Grease: 1/8" NPT: 1" Ext	15	PP030006	Dust Cap Sheild: 6-Bolt Wheel Hub
8	R9901001	Walking Axle, Cast: Right			



Item	Part #	Description
1	WC001516	LH Axle Arm(12' Euro Twister)
2	WC001515	RH Axle Arm(12' Euro Twister)
3	R9903012	8-Bolt Hub Assembly, 2.48" machined shaft diameter(4.5" seal to hole)
4	PP030006	Dust Cap Shield: 8-Bolt Wheel Hub
*		See Page 18 for Hub Bearing Options