



MANDAKO

TWISTER
10-20 SERIES

PARTS MANUAL

Box 379 | 12159B Hwy 306
Plum Coulee, MB R0G 1R0
Toll-Free: 1-888-525-5892
Telephone: (204) 829-3092
Fax: (204) 829-7712
Email: parts@mandako.com / info@mandako.com
<http://www.mandako.com/partsmanuals>

Overview

12' - 24' Machine Overview	4
28' - 40' Machine Overview	5

Hitch Assemblies

Folding Hitch.....	6
A-Frame Hitch	7

Main Frame Assemblies

12' Main Frame: Left.....	8
12' Main Frame: Right.....	9
16' Main Frame: Left.....	10
16' Main Frame: Right.....	11
20' Main Frame.....	12
20' Main Frame.....	13
24' Main Frame: Left.....	16
24' Main Frame: Right.....	17
28' Main Frame: Left.....	20
28' Main Frame: Right	21
32' Main Frame: Left.....	24
32' Main Frame: Right	25
36' Main Frame: Left.....	28
36' Main Frame: Right	29
40' Main Frame: Left.....	32
40' Main Frame: Right	33

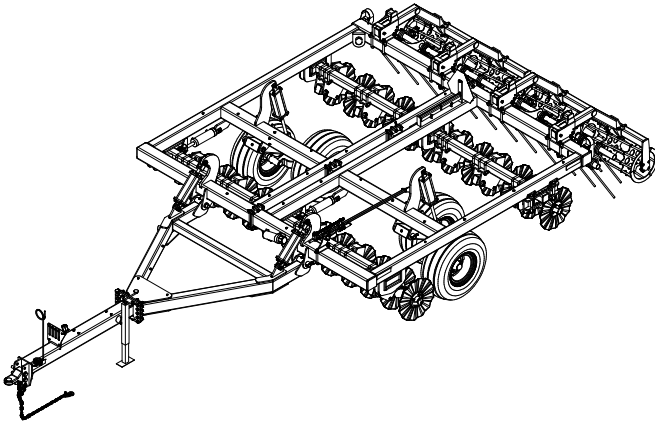
Wing Frame Assemblies

20' Wing Frame: Left	14
20' Wing Frame: Right.....	15
24' Wing Frame: Left	18
24' Wing Frame: Right	19
28' Wing Frame: Left	22
28' Wing Frame: Right.....	23
32' Wing Frame: Left	26
32' Wing Frame: Right.....	27
36' Wing Frame: Left	30
36' Wing Frame: Right.....	31

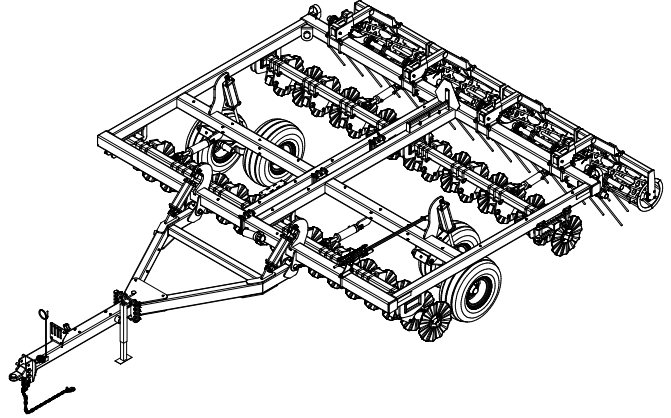
40' Wing Frame: Inner, Left	34
40' Wing Frame: Outer, Left.....	35
40' Wing Frame: Inner, Right	36
40' Wing Frame: Outer, Right	37
Attachments & Other Assemblies	
6' Coulter Bar Assemblies	38
8' Coulter Bar Assemblies	39
10' Coulter Bar Assemblies: Left	40
10' Coulter Bar Assemblies: Right	41
Coulter Bars, Shanks & Shank Bodies	42
Clearing Shank Locations.....	43
Shank Body Assembly.....	44
Coulter Blade Options	45
4-Bolt Coulter Hub Assembly	46
4-Bolt Coulter Hub Assembly	47
Axle Assembly.....	48
6-Bolt Wheel Hub Assembly.....	49
Optional 8-Bolt Wheel Hub Assembly	50
Spindle Order Form	51
Wheel Options.....	52
Depth Control Assembly.....	58
Depth Control Assembly.....	59
Harrow & Basket Assemblies	
6' Harrow Assemblies.....	53
8' Harrow Assemblies.....	54
10' Harrow Assemblies.....	55
4' Basket Assemblies.....	56
6' Basket Assemblies	57
Hydraulic Schematics	
12' & 16': Hitch Hydraulic Schematic	60
12' & 16': Hitch Hydraulic Schematic	61
20': Hitch Hydraulic Schematic	62
20': Hitch Hydraulic Schematic	63
24': Hitch Hydraulic Schematic	64
24': Hitch Hydraulic Schematic	65
28': Hitch Hydraulic Schematic	66
28': Hitch Hydraulic Schematic	67
32': Hitch Hydraulic Schematic	68
32': Hitch Hydraulic Schematic	69
36': Hitch Hydraulic Schematic	70
36': Hitch Hydraulic Schematic	71
40': Hitch Hydraulic Schematic	72
40': Hitch Hydraulic Schematic	73

12': Rear Gang Angle Hydraulic Schematic.....	74
12': Front Gang Angle Hydraulic Schematic	75
16': Rear Gang Angle Hydraulic Schematic.....	76
16': Front Gang Angle Hydraulic Schematic	77
20': Rear Gang Angle Hydraulic Schematic.....	78
20': Front Gang Angle Hydraulic Schematic	79
24': Rear Gang Angle Hydraulic Schematic.....	80
24': Rear Gang Angle Hydraulic Schematic.....	81
24': Front Gang Angle Hydraulic Schematic	82
24': Front Gang Angle Hydraulic Schematic	83
28': Rear Gang Angle Hydraulic Schematic.....	84
28': Rear Gang Angle Hydraulic Schematic.....	85
28': Front Gang Angle Hydraulic Schematic	86
28': Front Gang Angle Hydraulic Schematic	87
32': Rear Gang Angle Hydraulic Schematic.....	88
32': Rear Gang Angle Hydraulic Schematic.....	89
32': Front Gang Angle Hydraulic Schematic	90
32': Front Gang Angle Hydraulic Schematic	91
36': Rear Gang Angle Hydraulic Schematic.....	92
36': Rear Gang Angle Hydraulic Schematic.....	93
36': Front Gang Angle Hydraulic Schematic	94
36': Front Gang Angle Hydraulic Schematic	95
40': Rear Gang Angle Hydraulic Schematic.....	96
40': Rear Gang Angle Hydraulic Schematic.....	97
40': Front Gang Angle Hydraulic Schematic	98
40': Front Gang Angle Hydraulic Schematic	99
12': Wheel Lift Hydraulic Schematic	100
16': Wheel Lift Hydraulic Schematic	101
20': Wheel Lift Hydraulic Schematic	102
20': Wheel Lift Hydraulic Schematic	103
24': Wheel Lift Hydraulic Schematic	104
24': Wheel Lift Hydraulic Schematic	105
28': Wheel Lift Hydraulic Schematic	106
28': Wheel Lift Hydraulic Schematic	107
32': Wheel Lift Hydraulic Schematic	108
32': Wheel Lift Hydraulic Schematic	109
36': Wheel Lift Hydraulic Schematic	110
36': Wheel Lift Hydraulic Schematic	111
40': Wheel Lift Hydraulic Schematic	112
40': Wheel Lift Hydraulic Schematic	113
Lighting, Electrical & Other	
Hinges & Bolted Connections.....	114
Lighting & Electrical.....	115

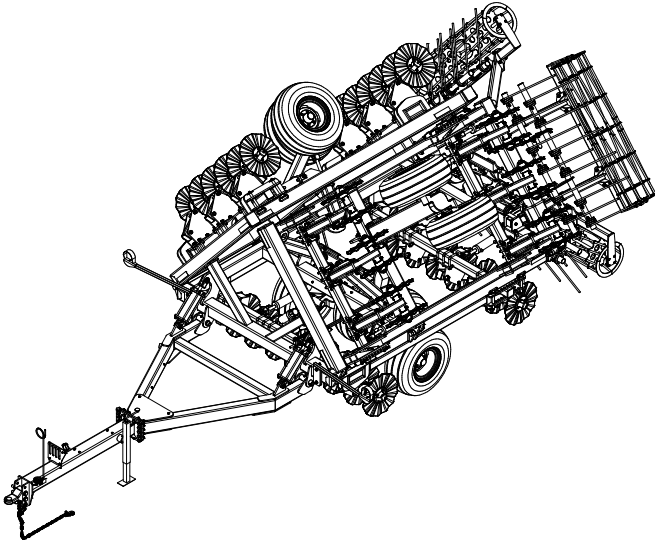
**12' TWISTER
(Rigid)**



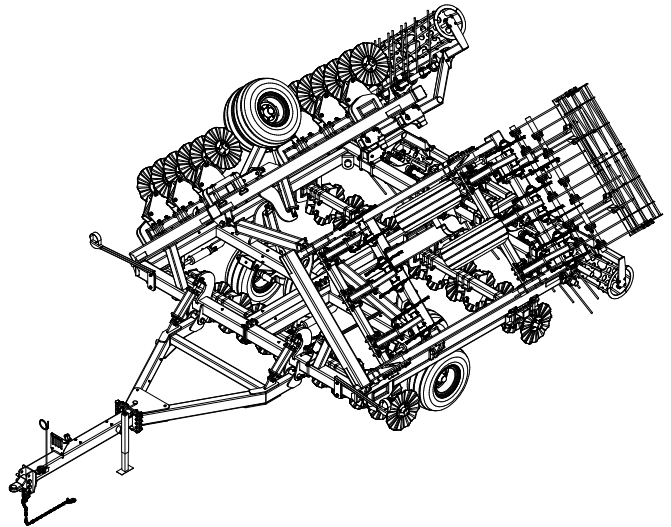
**16' TWISTER
(Rigid)**



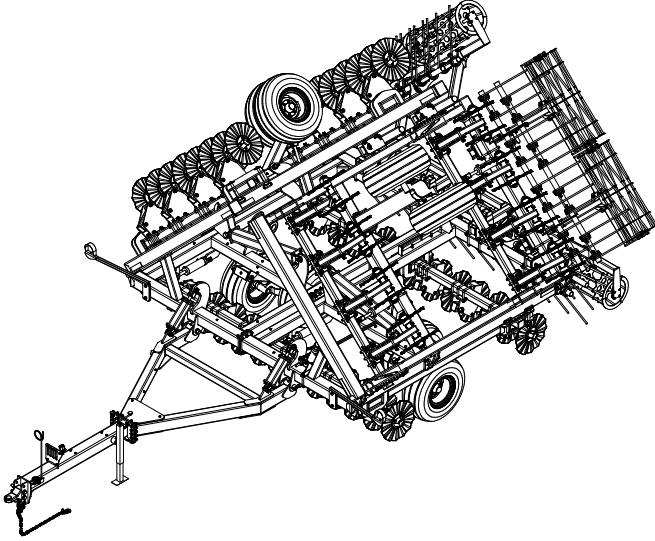
**20' TWISTER
(3-Section)**



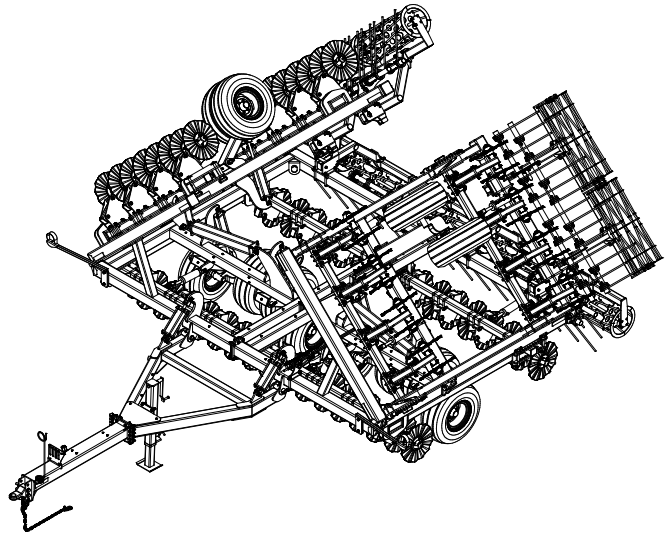
**24' TWISTER
(3-Section)**



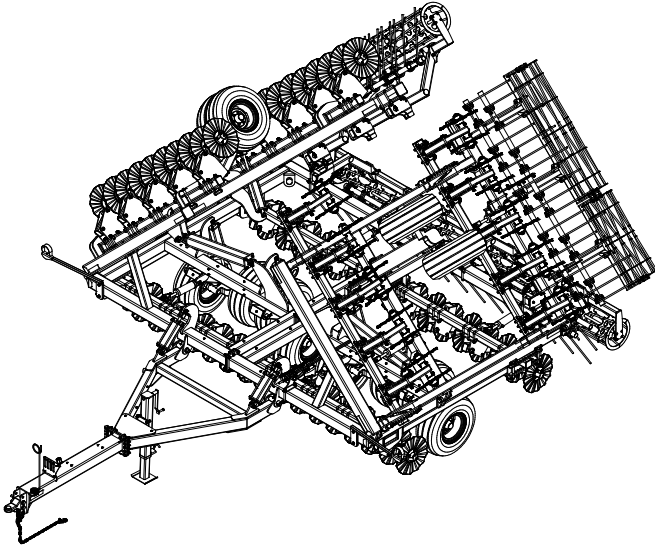
**28' TWISTER
(3-Section)**



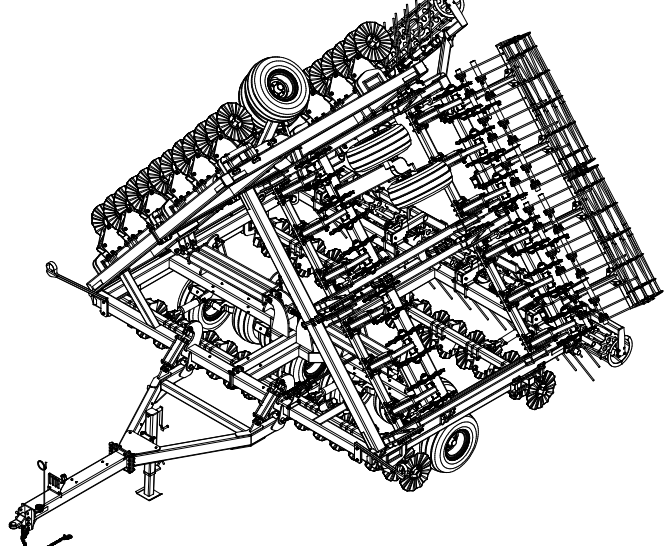
**32' TWISTER
(3-Section)**

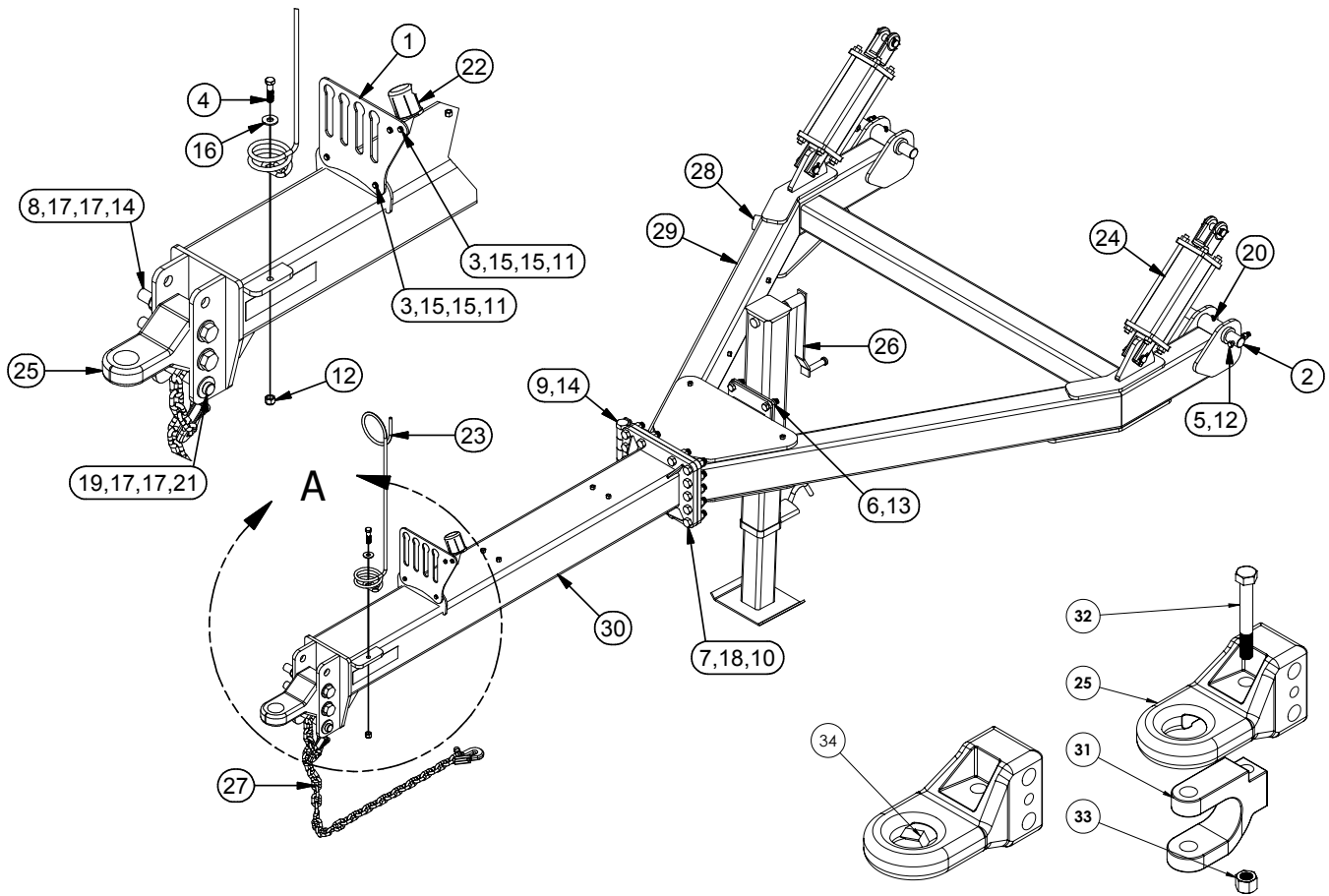


**36' TWISTER
(3-Section)**

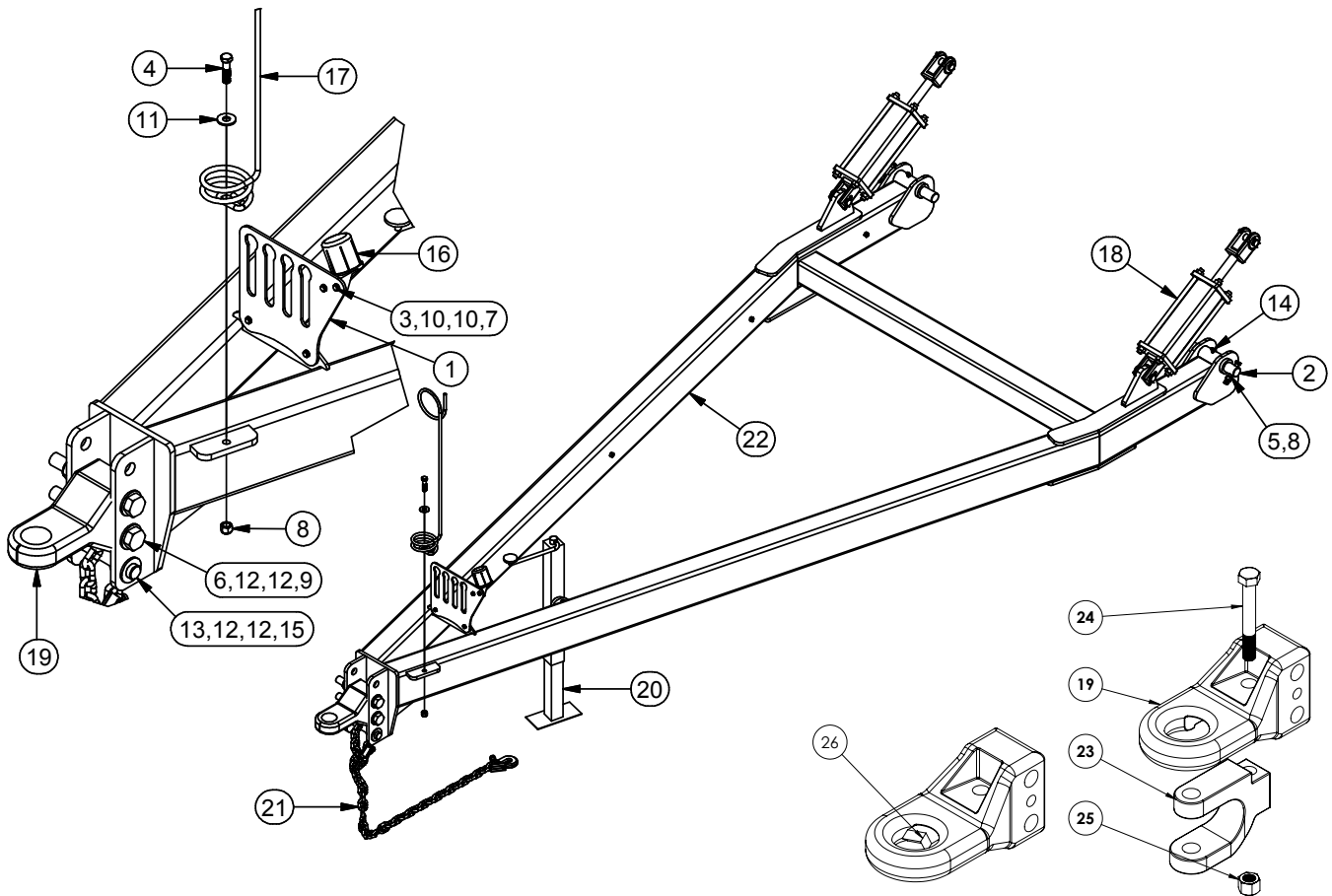


**40' TWISTER
(3-Section)**



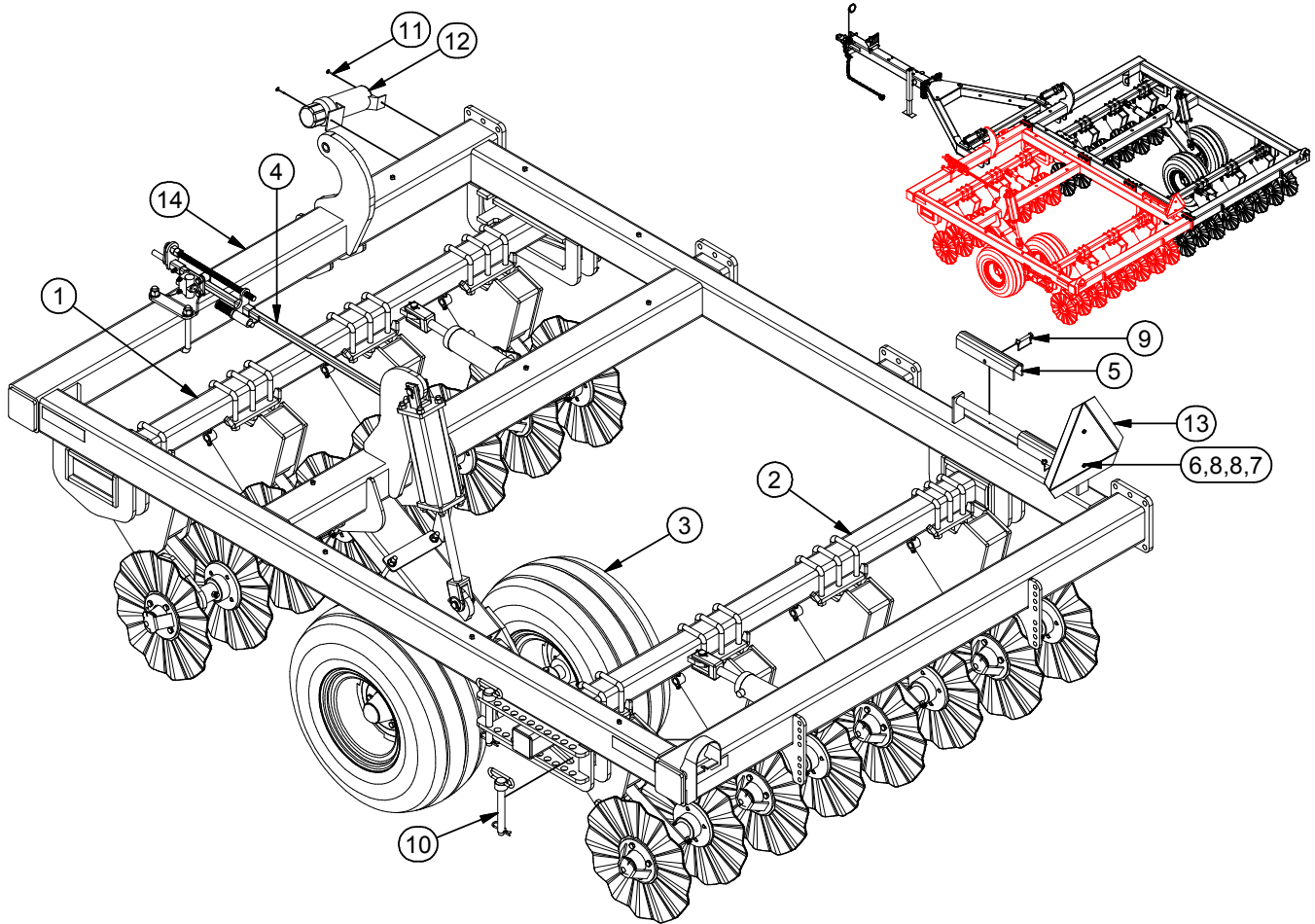


Item	Part #	Description	Item	Part #	Description
1	PP010001	Storage Plate: Hydraulic Tips	19	R0810601	Pin, Clevis: 1" x 6"
2	PR151002	Pin: 1-1/2" x 10"	20	R1502502	Zerk, Grease: 1/8" NPT, 45°
3	R0130210	Bolt: 1/4" x 1"	21	R1618900	Pin, Cotter: 3/16" x 2"
4	R0110620	Bolt: 1/2" x 2"	22	R1701018	Protector, Electrical Plug
5	R0130635	Bolt: 1/2" x 3-1/2"	23	R1899001	Retainer, Hose, Spring Loaded
6	R0130820	Bolt: 5/8" x 2"	24	n/a	(See Pg.60-73 for Hitch Hydraulic)
7	R0140930	Bolt, Fine: 3/4" x 3"	25	R9901003	Hitch, Pintle, Cat 3: 3" Spacing
8	R0131180	Bolt: 1" x 8"	26	R9909001	Jack, Heavy Duty
9	R01311A0	Bolt: 1" x 10"	27 a)	R9910001	Safety Chain: 3/8" Grd. 90 (28'<)
10	R0340109	Nut, Fine: 3/4"	27 b)	R9910002	Safety Chain: 1/2" Grd. 90 (32'>)
11	R0430102	Nut, Lock: 1/4"	28	R9911002	Bumper, Rubber
12	R0410106	Nut, Lock: 1/2"	29	n/a	Hitch, Folding, A-Frame (Inquire)
13	R0430108	Nut, Lock: 5/8"	30	n/a	Hitch, Folding, Tongue (Inquire)
14	R0430111	Nut, Lock: 1"	31	AA001090	Clevis Hitch Insert (Includes Items 32, 33)
15	R0510102	Washer, Flat: 1/4"	32	R0130955	Bolt: 3/4" x 5-1/2"
16	R0510106	Washer, Flat: 1/2"	33	R0430109	Nut, Lock: 3/4"
17	R0530211	Washer, Flat: 1"	34	AA001089	Pintle Wedge Kit
18	R0610009	Washer, Lock: 3/4"			



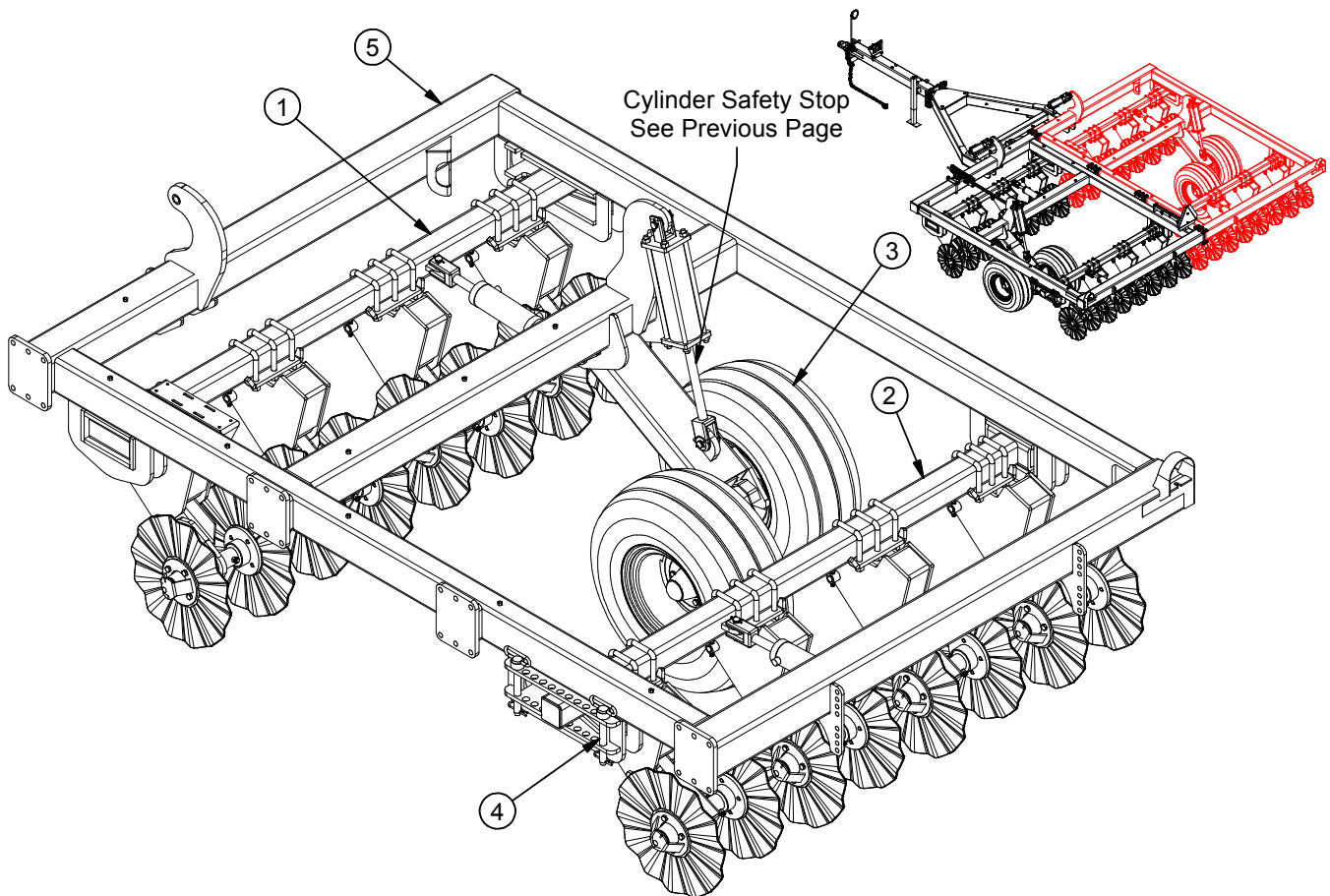
Item	Part #	Description	Item	Part #	Description
1	PP010001	Storage Plate: Hydraulic Tips	15	R1618900	Pin, Cotter: 3/16" x 2-1/2"
2	PR151002	Pin: 1-1/2" x 10"	16	R1701018	Protector: Electrical Plug
3	R0130210	Bolt: 1/4" x 1"	17	R1899001	Retainer, Hose, Spring Loaded
4	R0110620	Bolt: 1/2" x 2"	18	n/a	(See Pg.60-73 for Hitch Hydraulic)
5	R0130635	Bolt: 1/2" x 3-1/2"	19	R9901003	Hitch, Pintle, Cat 3: 3" Spacing
6	R0131180	Bolt: 1" x 8"	20	R9909002	Jack, Light Duty, Round Reciever
7	R0430102	Nut, Lock: 1/4"	21 a)	R9910001	Safety Chain: 3/8" Grd.90 (28'<)
8	R0410106	Nut, Lock: 1/2"	21 b)	R9910002	Safety Chain: 1/2" Grd.90 (32'>)
9	R0430111	Nut, Lock: 1"	22	n/a	Hitch, A-Frame (Inquire)
10	R0510102	Washer, Flat: 1/4"	23	AA001090	Clevis Hitch Insert (Includes Items 24, 25)
11	R0510106	Washer, Flat: 1/2"			
12	R0530211	Washer, Flat: 1"			
13	R0810601	Pin, Clevis: 1" x 6"	24	R0130955	Bolt: 3/4" x 5-1/2"
14	R1502502	Zerk, Grease: 1/8" NPT, 45°	25	R0430109	Nut, Lock: 3/4"
			26	AA001089	Pintle Wedge Kit

12' TWISTER



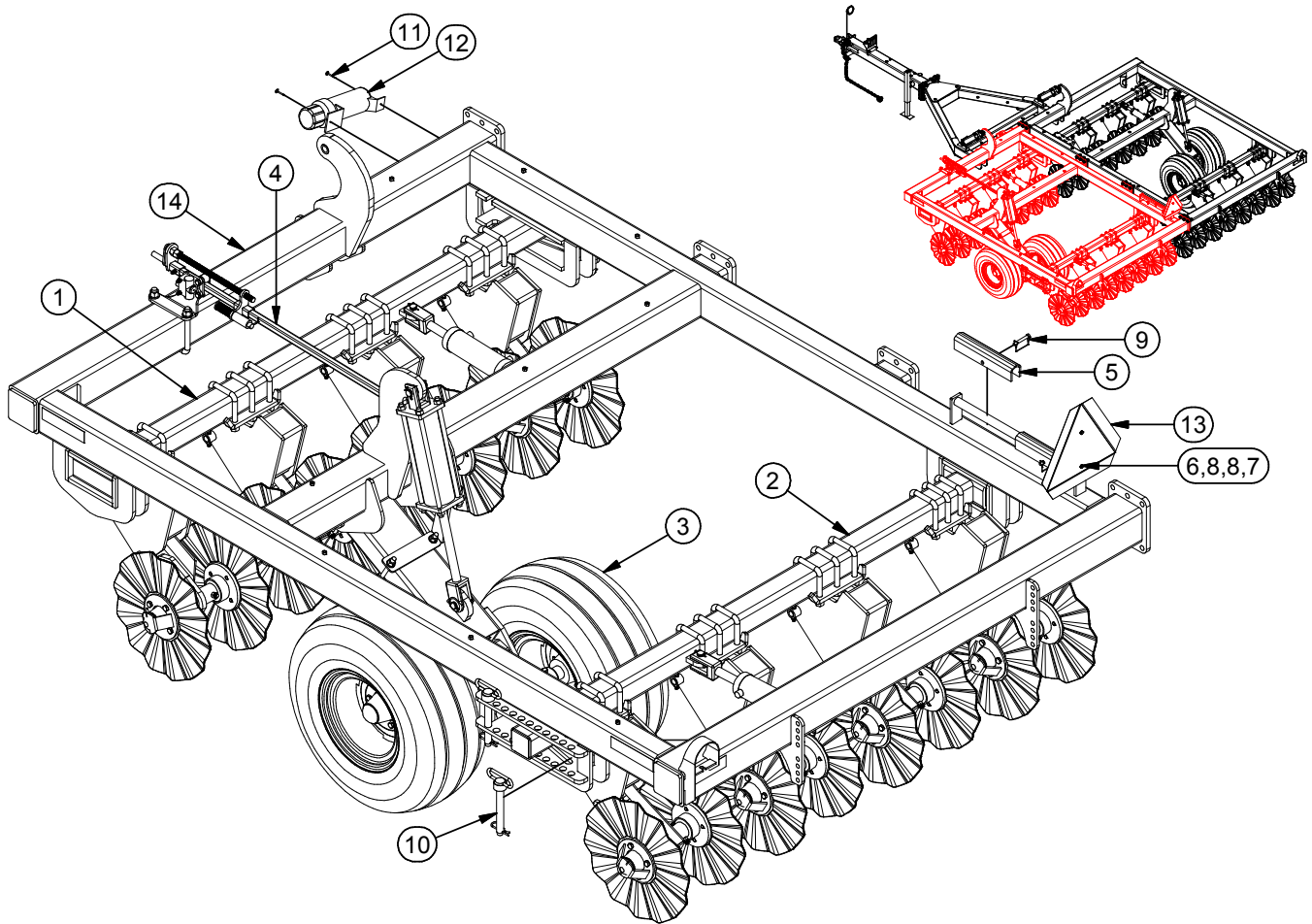
Item	Part #	Description
1	n/a	Assembly, Coulters Bar, Front: 6' (See Pg. 38-47)
2	n/a	Assembly, Coulters Bar, Rear: 6' (See Pg. 38-47)
3	n/a	Assembly, Axle and Wheels (See Pg.48)
4	n/a	Assembly, Depth Control (See Pg.58-59)
5	PP031001	Cylinder Stop: 1-1/2" x 11-3/4" (Includes Item No.9)
6	R0130210	Bolt: 1/4" x 1"
7	R0430102	Nut, Lock: 1/4"
8	R0510102	Washer, Flat: 1/4"
9	R0804281	Wire Latch Pin: 3/8" x 2-1/2"
10	R0810751	Pin, D-Handle: 1" x 7-1/2"
11	R2000000	Screw, Self Tapping: #12 x 1-1/2"
12	R9912001	Operators Manual Cannister
13	R9913001	SMV Sign
14	n/a	12' Twister Main Frame: Left (Inquire)

12' TWISTER



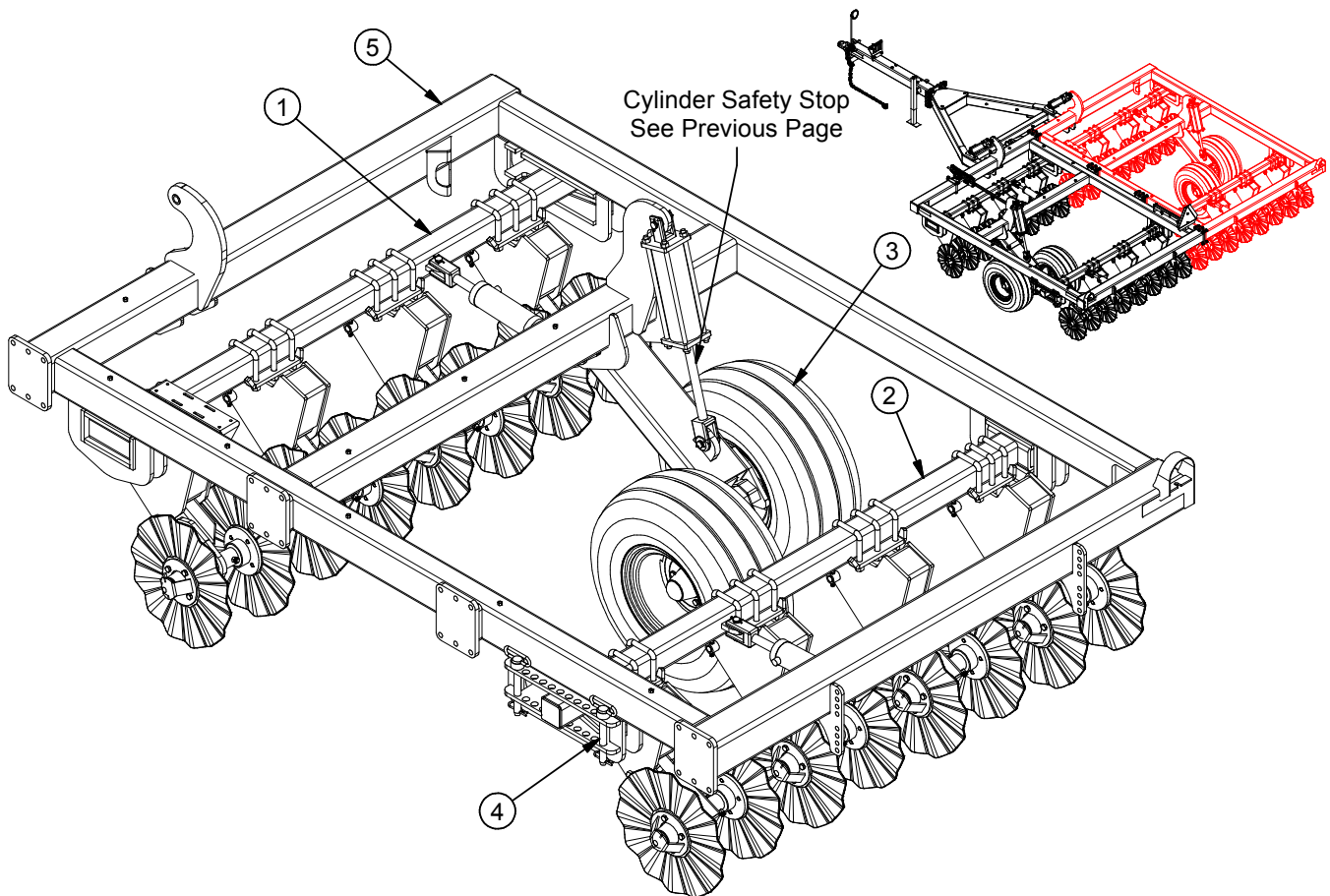
Item	Part #	Description
1	n/a	Assembly, Coulters Bar, Front: 6' (See Pg. 38-47)
2	n/a	Assembly, Coulters Bar, Rear: 6' (See Pg. 38-47)
3	n/a	Assembly, Axle and Wheels (See Pg.48)
4	R0810751	Pin, D-Handle: 1" x 7-1/2"
5	n/a	12' Twister Main Frame: Right (Inquire)

16' TWISTER



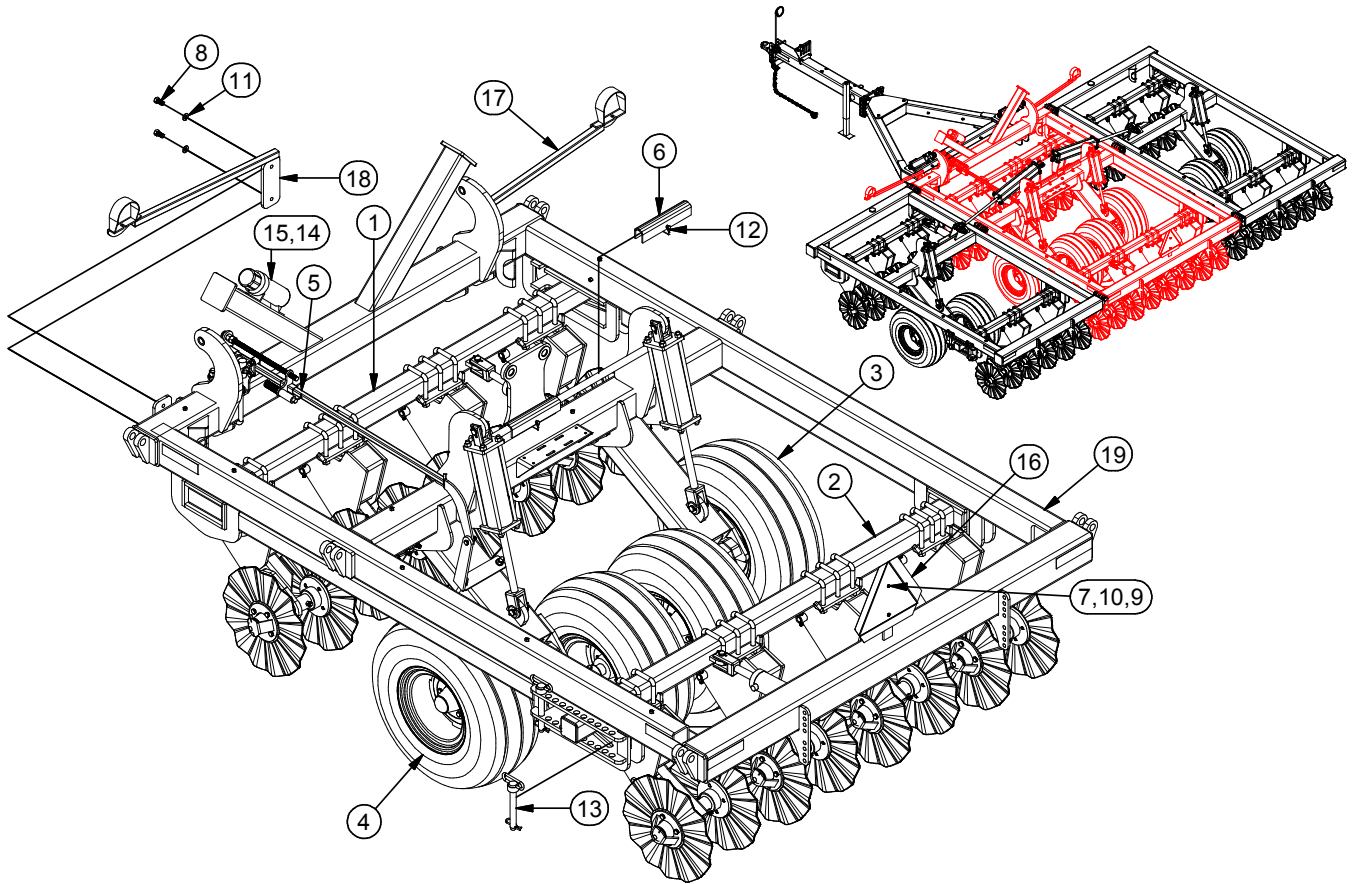
Item	Part #	Description
1	n/a	Assembly, Coulters Bar, Front: 8' (See Pg. 38-47)
2	n/a	Assembly, Coulters Bar, Rear: 8' (See Pg. 38-47)
3	n/a	Assembly, Axle and Wheels (See Pg.48)
4	n/a	Assembly, Depth Control (See Pg.58-59)
5	PP031001	Cylinder Stop: 1-1/2" x 11-3/4" (Includes Item No.9)
6	R0130210	Bolt: 1/4" x 1"
7	R0430102	Nut, Lock: 1/4"
8	R0510102	Washer, Flat: 1/4"
9	R0804281	Wire Latch Pin: 3/8" x 2-1/2"
10	R0810751	Pin, D-Handle: 1" x 7-1/2"
11	R2000000	Screw, Self Tapping: #12 x 1-1/2"
12	R9912001	Operators Manual Cannister
13	R9913001	SMV Sign
14	n/a	16' Twister Main Frame: Left (Inquire)

16' TWISTER



Item	Part #	Description
1	n/a	Assembly, Coulters Bar, Front: 8' (See Pg. 38-47)
2	n/a	Assembly, Coulters Bar, Rear: 8' (See Pg. 38-47)
3	n/a	Assembly, Axle and Wheels (See Pg.48)
4	R0810751	Pin, D-Handle: 1" x 7-1/2"
5	n/a	16' Twister Main Frame: Right (Inquire)

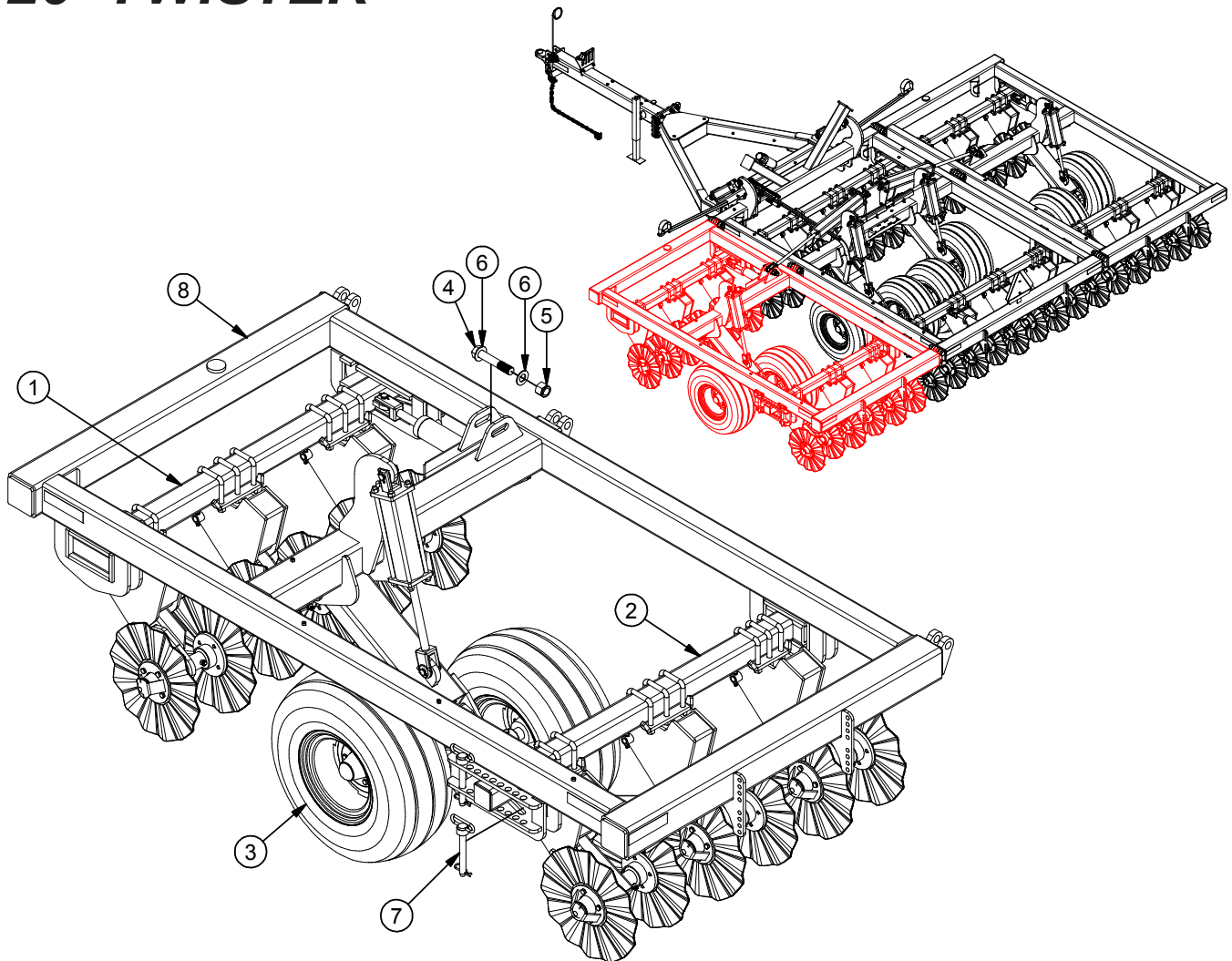
20' TWISTER



20' TWISTER

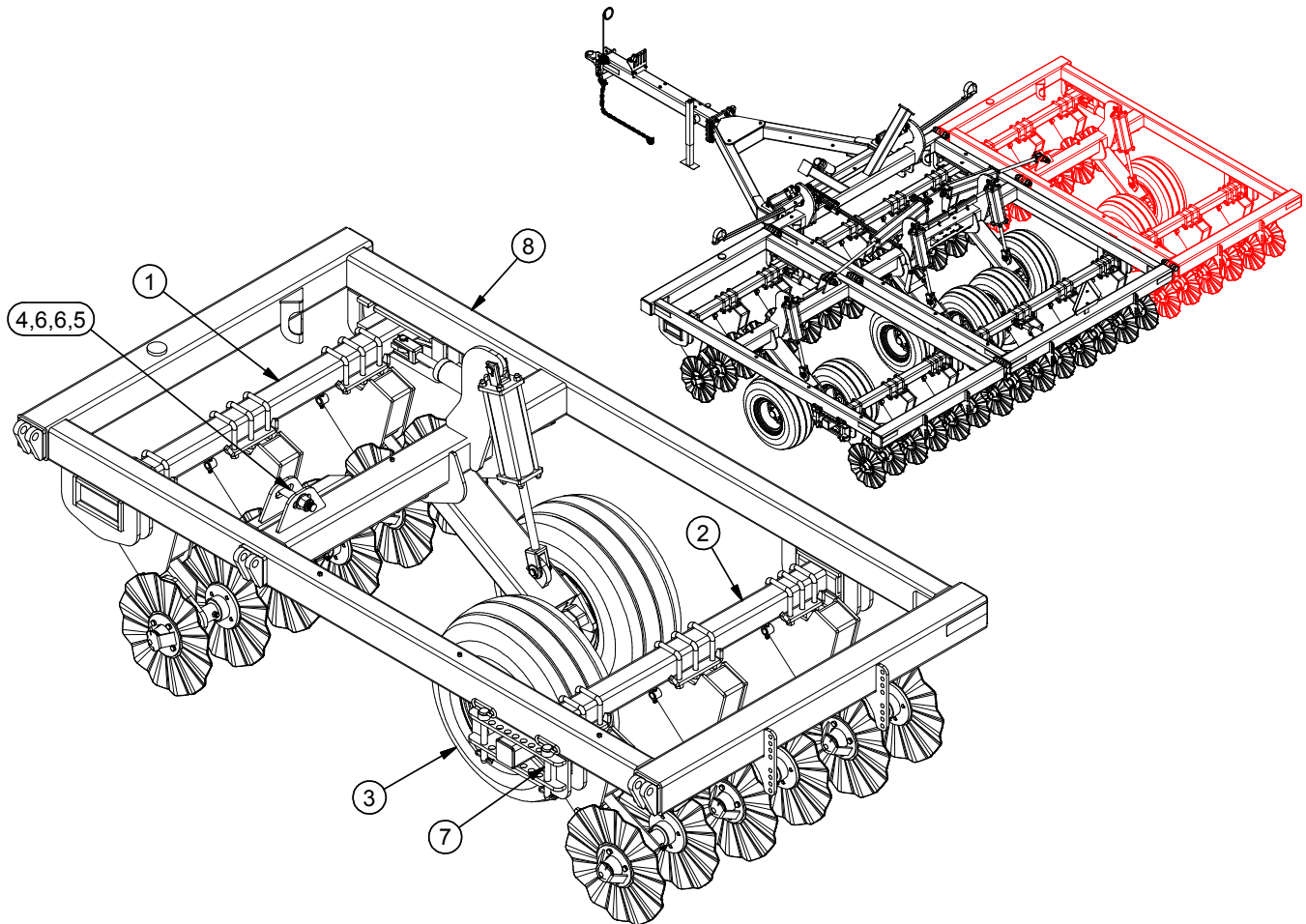
Item	Part #	Description
1	n/a	Assembly, Coultter Bar, Front: 8' (See Pg. 38-47)
2	n/a	Assembly, Coultter Bar, Rear: 8' (See Pg. 38-47)
3	n/a	Assembly, Axle and Wheels (See Pg.48)
4	n/a	Assembly, Axle and Wheels (See Pg.48)
5	n/a	Assembly, Depth Control (See Pg.58-59)
6	PP031001	Cylinder Stop: 1-1/2" x 11-3/4" (Includes Item No.9)
7	R0130210	Bolt: 1/4" x 1"
8	R0110815	Bolt: 5/8" x 1-1/4"
9	R0430102	Nut, Lock: 1/4"
10	R0510102	Washer, Flat: 1/4"
11	R0610008	Washer, Lock: 5/8"
12	R0804281	Wire Latch Pin: 3/8" x 2-1/2"
13	R0810751	Pin, D-Handle: 1" x 7-1/2"
14	R2000000	Screw, Self Tapping: #12 x 1-1/2"
15	R9912001	Operators Manual Cannister
16	R9913001	SMV Sign
17	WC001017	Bracket, Hazard Light: Right
18	WC001018	Bracket, Hazard Light: Left
19	n/a	20' Twister Main Frame (Inquire)

20' TWISTER



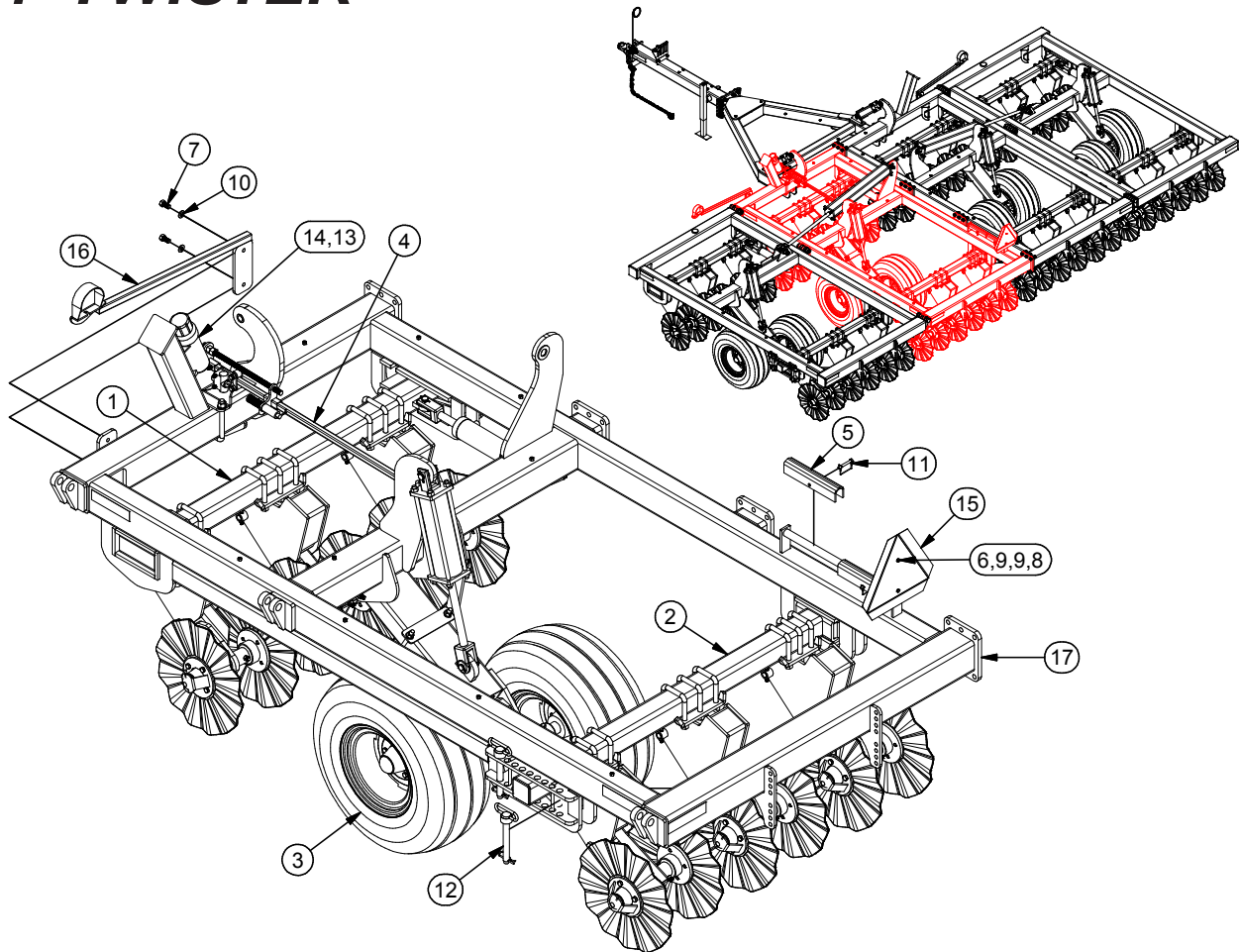
Item	Part #	Description
1	n/a	Assembly, Coultter Bar, Front: 6' (See Pg. 38-47)
2	n/a	Assembly, Coultter Bar, Rear: 6' (See Pg. 38-47)
3	n/a	Assembly, Axle and Wheels (See Pg.48)
4	R0131385	Bolt: 1-1/4" x 8-1/2"
5	R0430113	Nut, Lock: 1-1/4"
6	R0510213	Washer, Flat: 1-1/4"
7	R0810751	Pin, D-Handle: 1" x 7-1/2"
8	n/a	20' Twister Wing Frame: Left (Inquire)

20' TWISTER



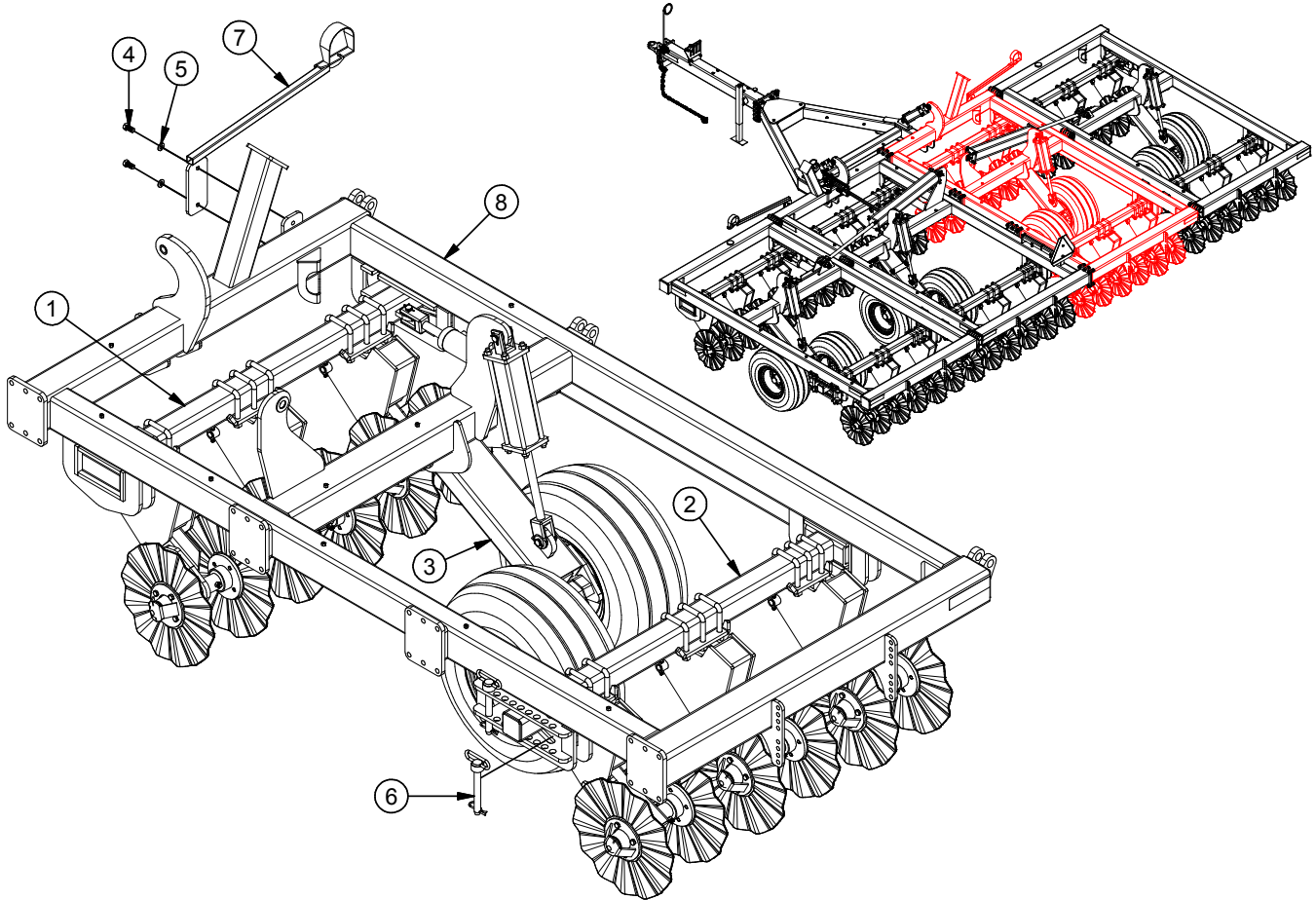
Item	Part #	Description
1	n/a	Assembly, Coulters Bar, Front: 6' (See Pg. 38-47)
2	n/a	Assembly, Coulters Bar, Rear: 6' (See Pg. 38-47)
3	n/a	Assembly, Axle and Wheels (See Pg.48)
4	R0131385	Bolt: 1-1/4" x 8-1/2"
5	R0430113	Nut, Lock: 1-1/4"
6	R0510213	Washer, Flat: 1-1/4"
7	R0810751	Pin, D-Handle: 1" x 7-1/2"
8	n/a	20' Twister Wing Frame: Right (Inquire)

24' TWISTER



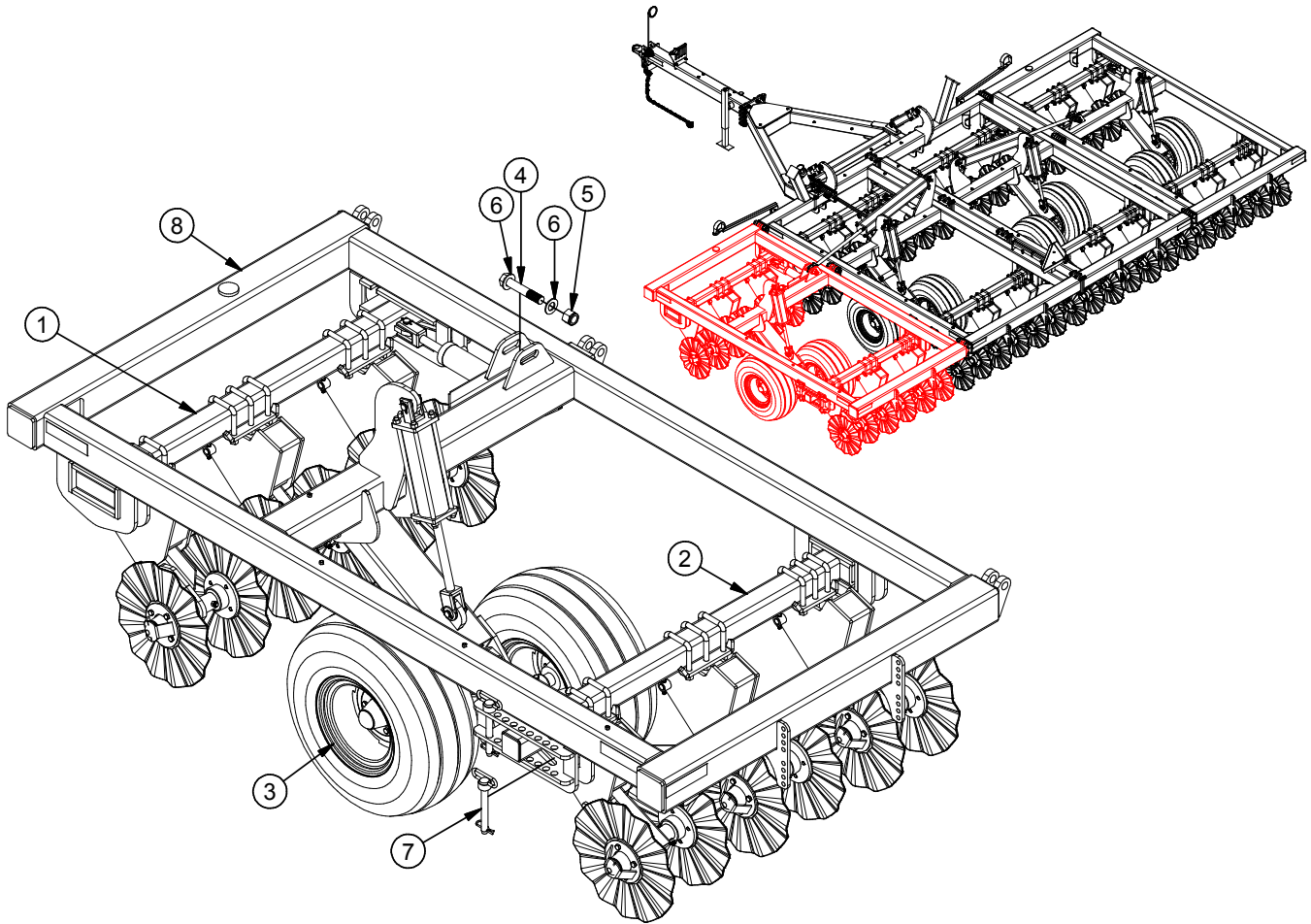
Item	Part #	Description
1	n/a	Assembly, Coulters Bar, Front: 6' (See Pg. 38-47)
2	n/a	Assembly, Coulters Bar, Rear: 6' (See Pg. 38-47)
3	n/a	Assembly, Axle and Wheels (See Pg.48)
4	n/a	Assembly, Depth Control (See Pg.58-59)
5	PP031001	Cylinder Stop: 1-1/2" x 11-3/4" (Includes Item No.11)
6	R0130210	Bolt: 1/4" x 1"
7	R0110815	Bolt: 5/8" x 1-1/4"
8	R0430102	Nut, Lock: 1/4"
9	R0510102	Washer, Flat: 1/4"
10	R0610008	Washer, Lock: 5/8"
11	R0804281	Wire Latch Pin: 3/8" x 2-1/2"
12	R0810751	Pin, D-Handle: 1" x 7-1/2"
13	R2000000	Screw, Self Tapping: #12 x 1-1/2"
14	R9912001	Operators Manual Cannister
15	R9913001	SMV Sign
16	WC001018	Bracket, Hazard Light: Left
17	n/a	24' Twister Main Frame: Left (Inquire)

24' TWISTER



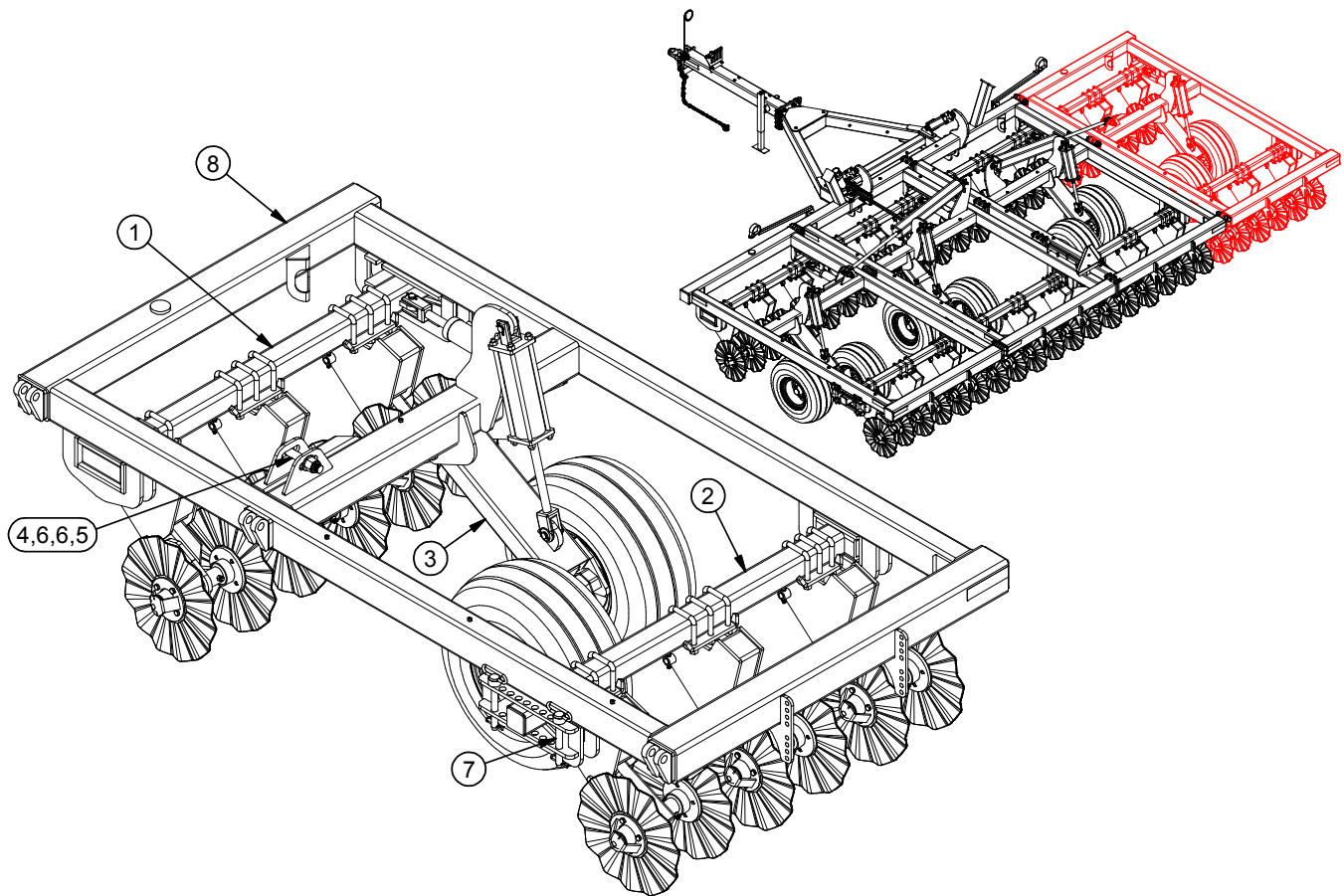
Item	Part #	Description
1	n/a	Assembly, Coulters Bar, Front: 6' (See Pg. 38-47)
2	n/a	Assembly, Coulters Bar, Rear: 6' (See Pg. 38-47)
3	n/a	Assembly, Axle and Wheels (See Pg.48)
4	R0110815	Bolt: 5/8" x 1-1/4"
5	R0610008	Washer, Lock: 5/8"
6	R0810751	Pin, D-Handle: 1" x 7-1/2"
7	WC001017	Bracket, Hazard Light: Right
8	n/a	24' Twister Main Frame: Right (Inquire)

24' TWISTER



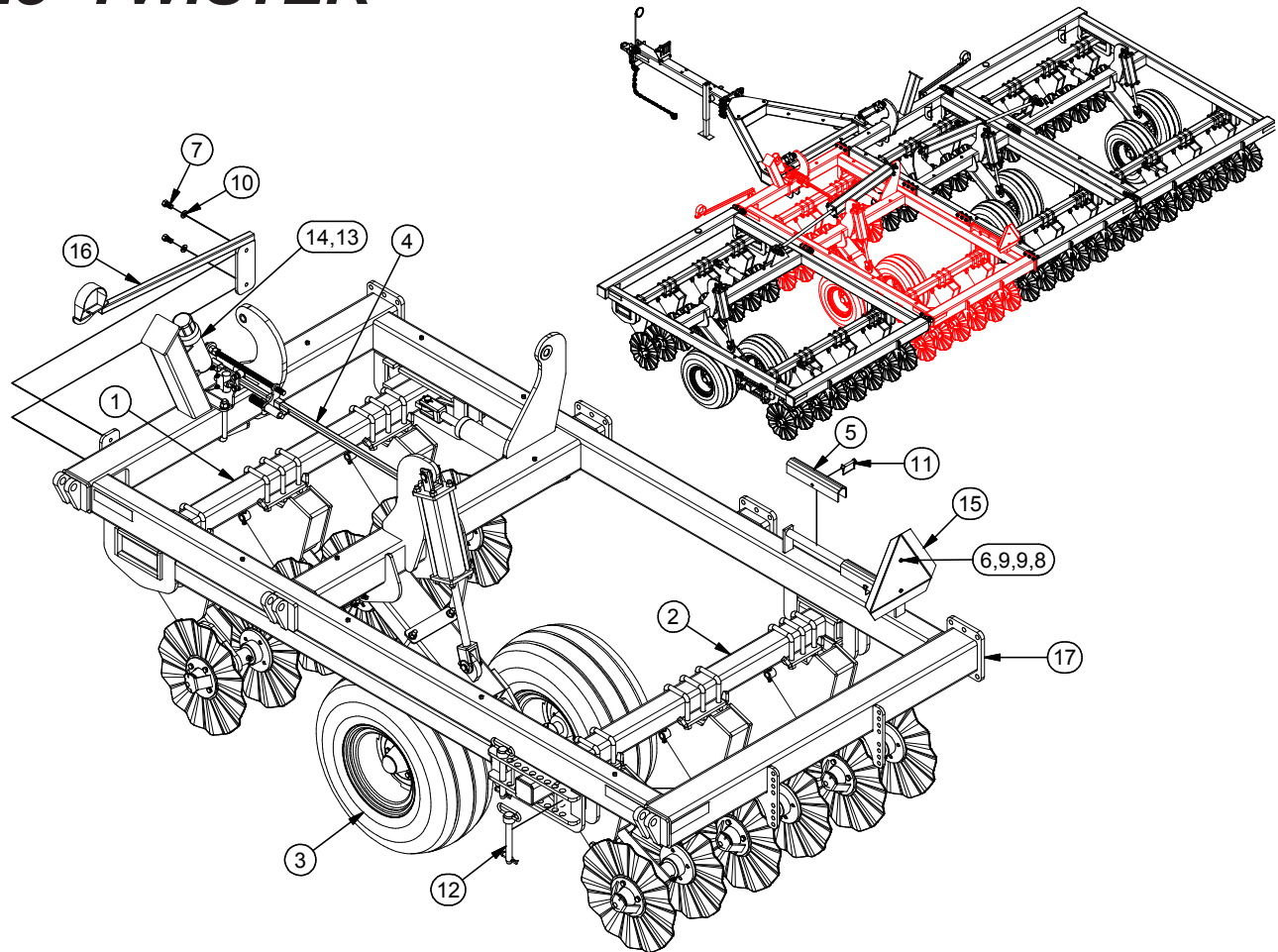
Item	Part #	Description
1	n/a	Assembly, Coulters Bar, Front: 6' (See Pg. 38-47)
2	n/a	Assembly, Coulters Bar, Rear: 6' (See Pg. 38-47)
3	n/a	Assembly, Axle and Wheels (See Pg.48)
4	R0131385	Bolt: 1-1/4" x 8-1/2"
5	R0430113	Nut, Lock: 1-1/4"
6	R0510213	Washer, Flat: 1-1/4"
7	R0810751	Pin, D-Handle: 1" x 7-1/2"
8	n/a	24' Twister Wing Frame: Left (Inquire)

24' TWISTER



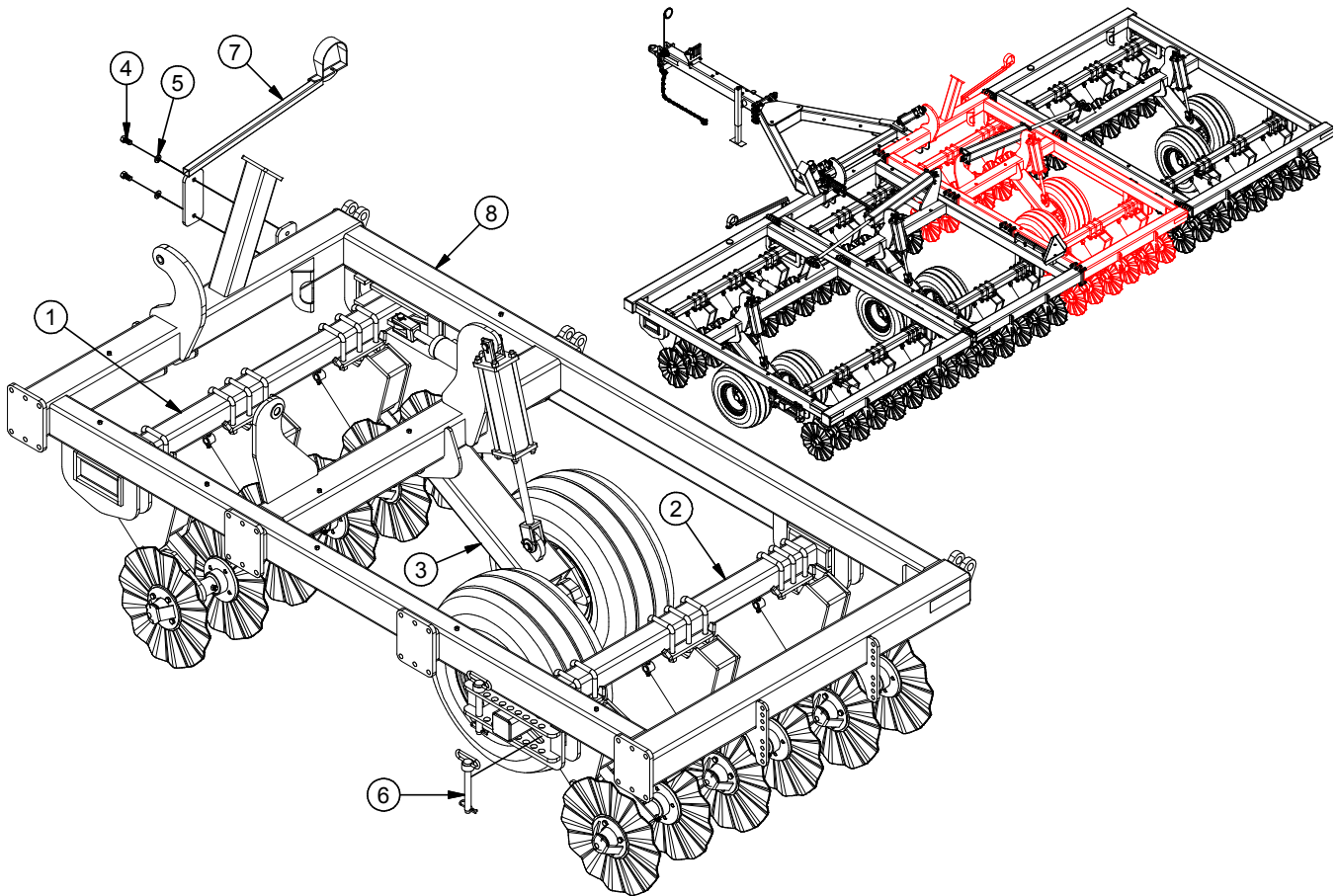
Item	Part #	Description
1	n/a	Assembly, Coulters Bar, Front: 6' (See Pg. 38-47)
2	n/a	Assembly, Coulters Bar, Rear: 6' (See Pg. 38-47)
3	n/a	Assembly, Axle and Wheels (See Pg.48)
4	R0131385	Bolt: 1-1/4" x 8-1/2"
5	R0430113	Nut, Lock: 1-1/4"
6	R0510213	Washer, Flat: 1-1/4"
7	R0810751	Pin, D-Handle: 1" x 7-1/2"
8	n/a	24' Twister Wing Frame: Right (Inquire)

28' TWISTER



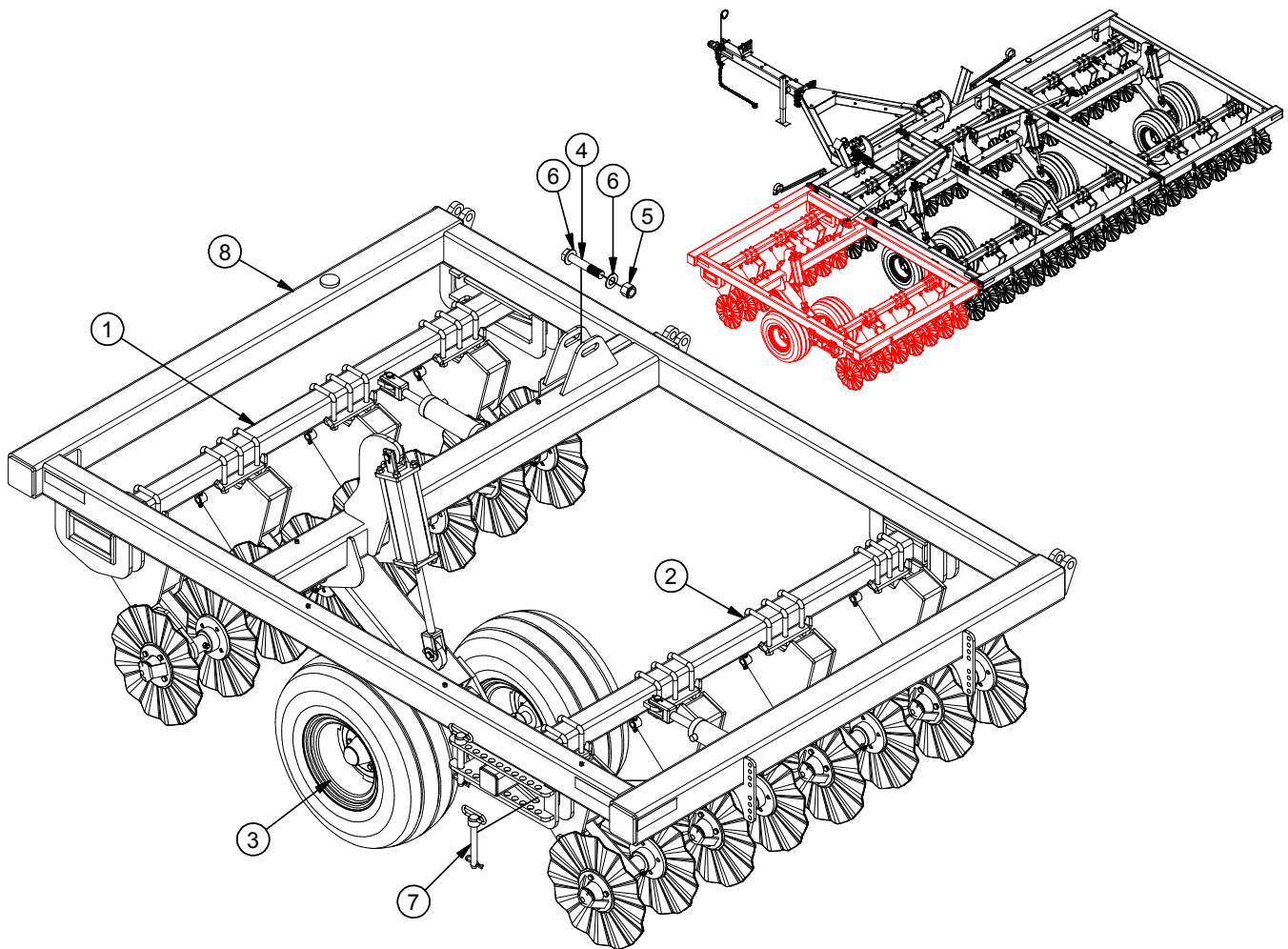
Item	Part #	Description
1	n/a	Assembly, Coulters Bar, Front: 6' (See Pg. 38-47)
2	n/a	Assembly, Coulters Bar, Rear: 6' (See Pg. 38-47)
3	n/a	Assembly, Axle and Wheels (See Pg.48)
4	n/a	Assembly, Depth Control (See Pg.58-59)
5	PP031001	Cylinder Stop: 1-1/2" x 11-3/4" (Includes Item No.11)
6	R0130210	Bolt: 1/4" x 1"
7	R0110815	Bolt: 5/8" x 1-1/4"
8	R0430102	Nut, Lock: 1/4"
9	R0510102	Washer, Flat: 1/4"
10	R0610008	Washer, Lock: 5/8"
11	R0804281	Wire Latch Pin: 3/8" x 2-1/2"
12	R0810751	Pin, D-Handle: 1" x 7-1/2"
13	R2000000	Screw, Self Tapping: #12 x 1-1/2"
14	R9912001	Operators Manual Cannister
15	R9913001	SMV Sign
16	WC001018	Bracket, Hazard Light: Left
17	n/a	28' Twister Main Frame: Left (Inquire)

28' TWISTER



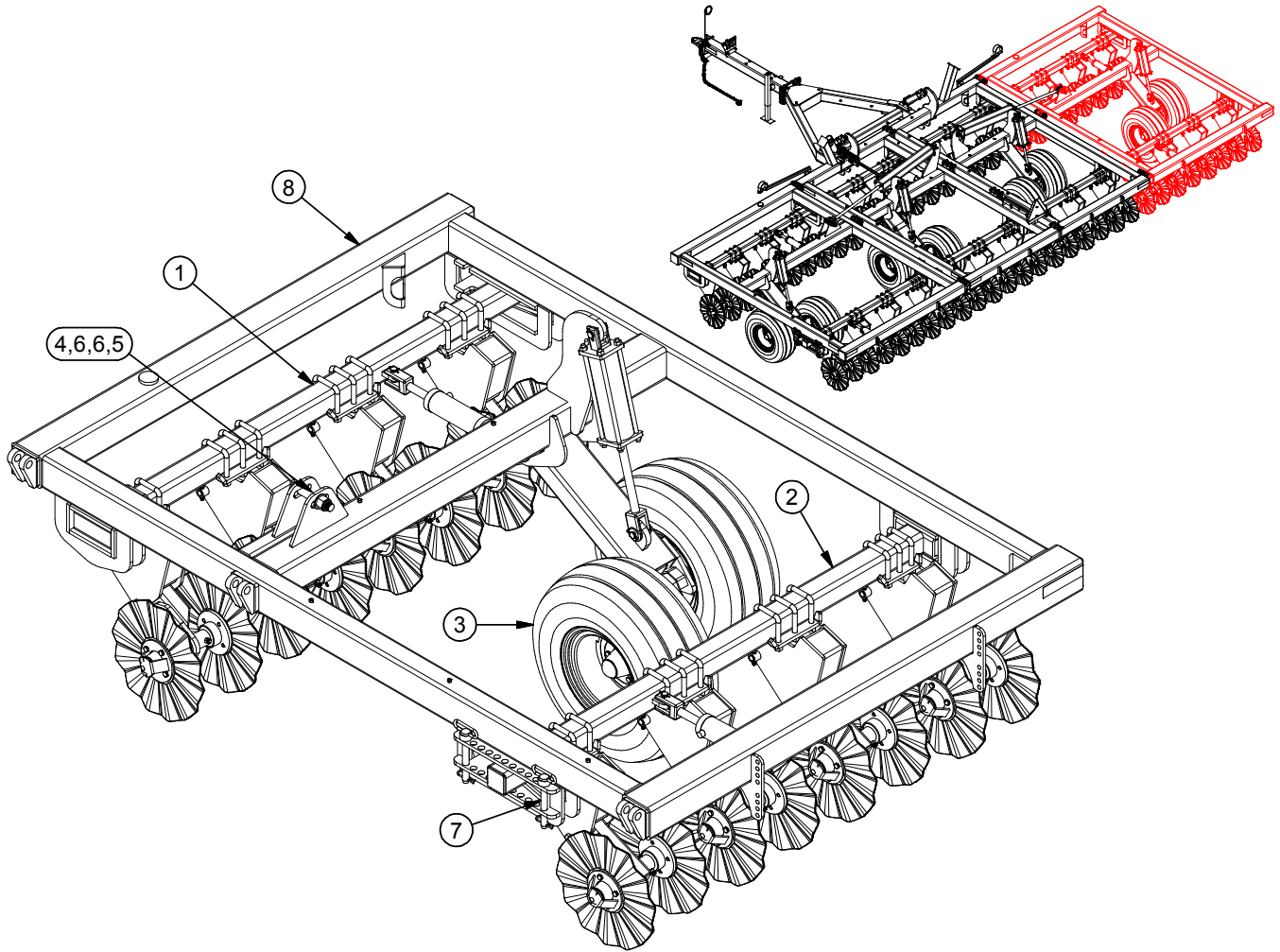
Item	Part #	Description
1	n/a	Assembly, Coulters Bar, Front: 6' (See Pg. 38-47)
2	n/a	Assembly, Coulters Bar, Rear: 6' (See Pg. 38-47)
3	n/a	Assembly, Axle and Wheels (See Pg.48)
4	R0110815	Bolt: 5/8" x 1-1/4"
5	R0610008	Washer, Lock: 5/8"
6	R0810751	Pin, D-Handle: 1" x 7-1/2"
7	WC001017	Bracket, Hazard Light: Right
8	n/a	28' Twister Main Frame: Right (Inquire)

28' TWISTER



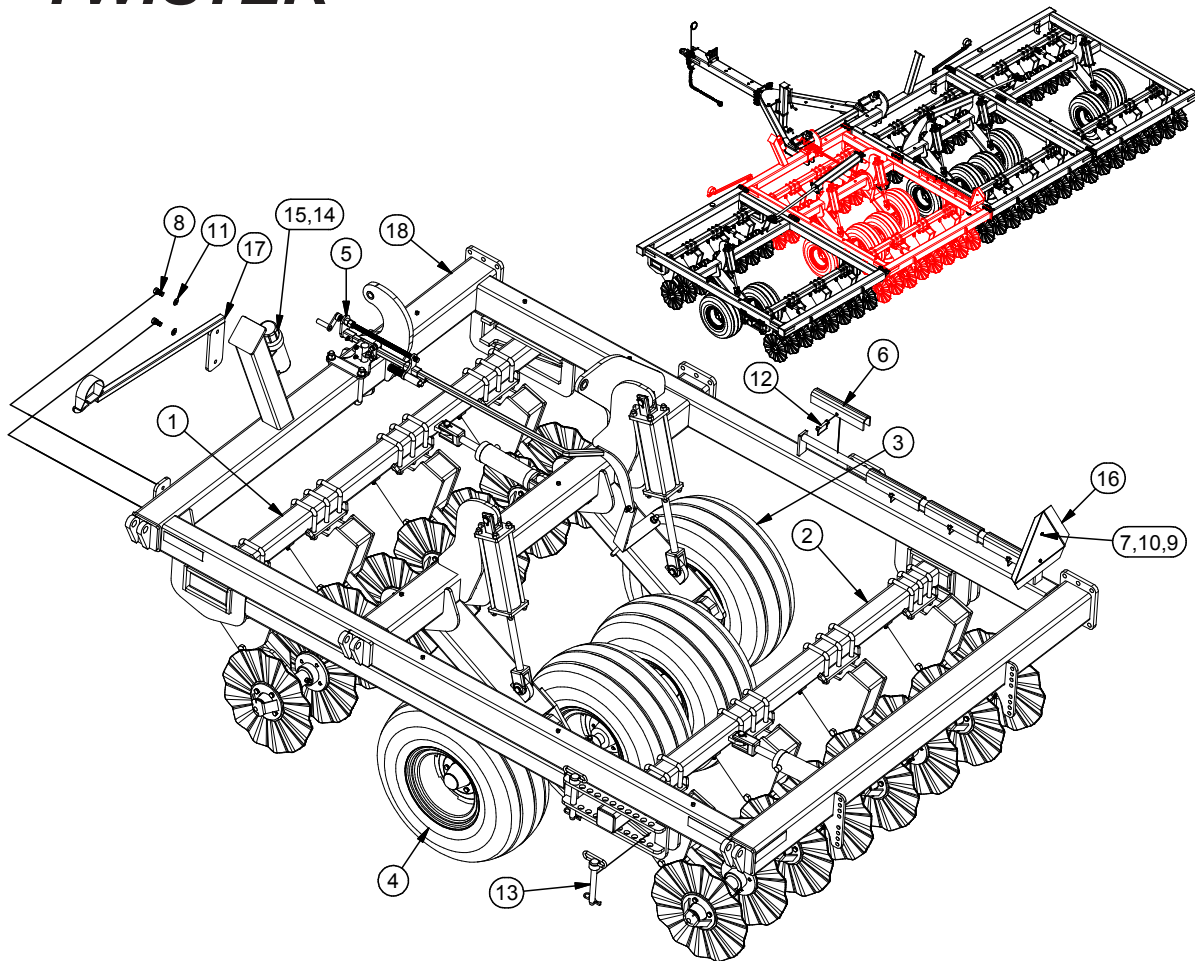
Item	Part #	Description
1	n/a	Assembly, Coulters Bar, Front: 8' (See Pg. 38-47)
2	n/a	Assembly, Coulters Bar, Rear: 8' (See Pg. 38-47)
3	n/a	Assembly, Axle and Wheels (See Pg.48)
4	R0131385	Bolt: 1-1/4" x 8-1/2"
5	R0430113	Nut, Lock: 1-1/4"
6	R0510213	Washer, Flat: 1-1/4"
7	R0810751	Pin, D-Handle: 1" x 7-1/2"
8	n/a	28' Twister Wing Frame: Left (Inquire)

28' TWISTER



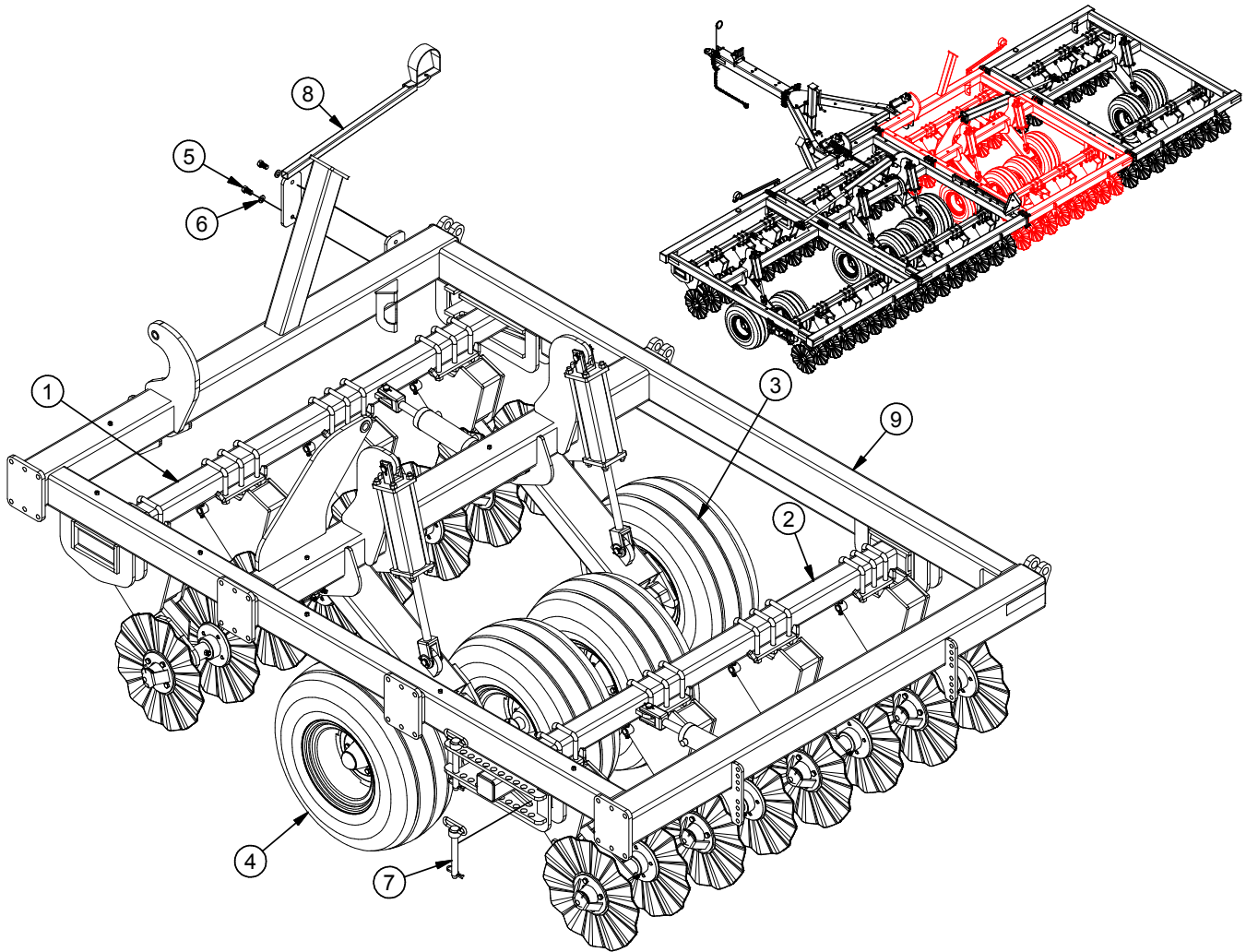
Item	Part #	Description
1	n/a	Assembly, Coulters Bar, Front: 8' (See Pg. 38-47)
2	n/a	Assembly, Coulters Bar, Rear: 8' (See Pg. 38-47)
3	n/a	Assembly, Axle and Wheels (See Pg.48)
4	R0131385	Bolt: 1-1/4" x 8-1/2"
5	R0430113	Nut, Lock: 1-1/4"
6	R0510213	Washer, Flat: 1-1/4"
7	R0810751	Pin, D-Handle: 1" x 7-1/2"
8	n/a	28' Twister Wing Frame: Right (Inquire)

32' TWISTER



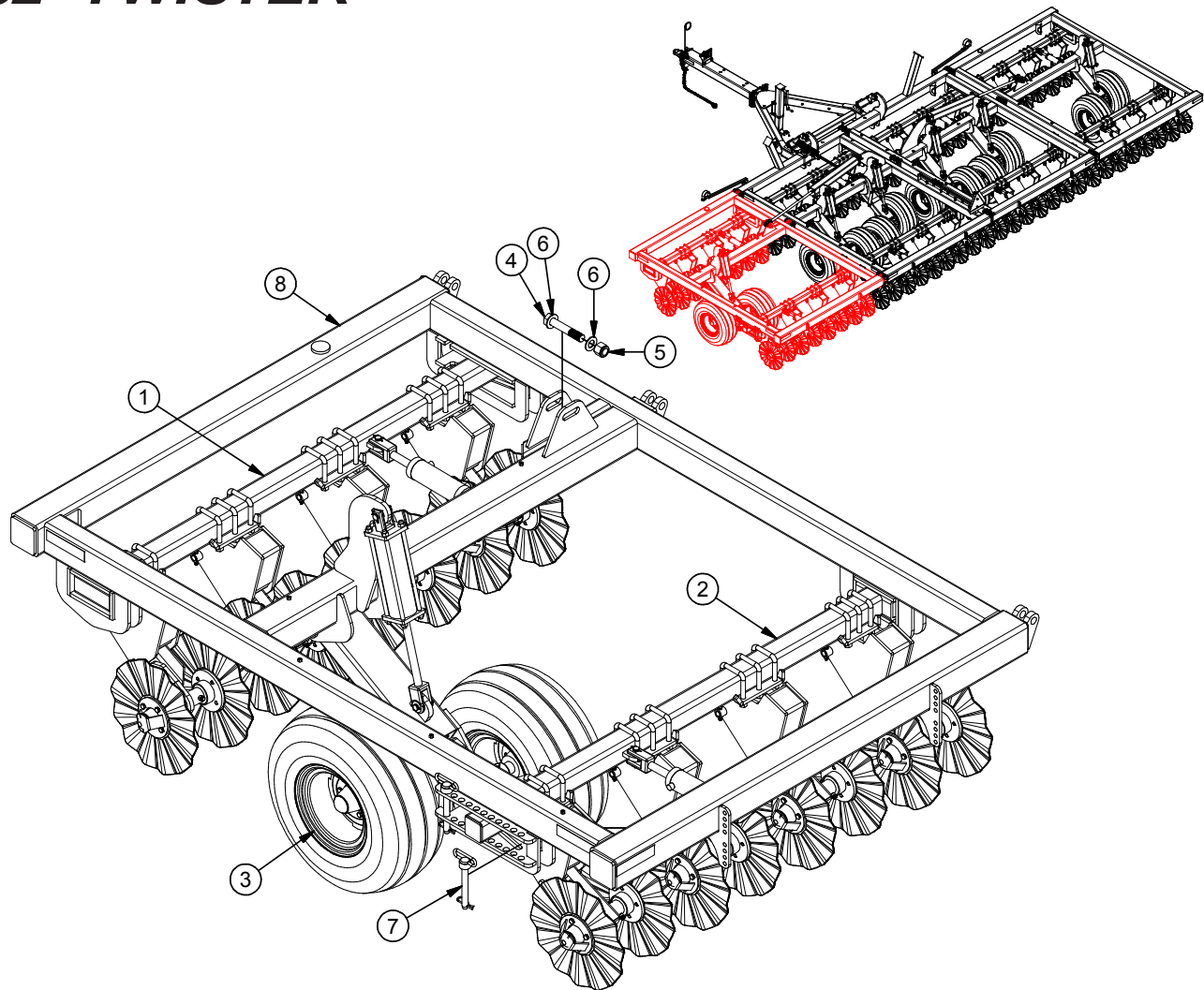
Item	Part #	Description
1	n/a	Assembly, Coulters Bar, Front: 8' (See Pg. 38-47)
2	n/a	Assembly, Coulters Bar, Rear: 8' (See Pg. 38-47)
3	n/a	Assembly, Axle and Wheels (See Pg.48)
4	n/a	Assembly, Axle and Wheels (See Pg.48)
5	n/a	Assembly, Depth Control (See Pg.58-59)
6	PP031001	Cylinder Stop: 1-1/2" x 11-3/4" (Includes Item No.11)
7	R0130210	Bolt: 1/4" x 1"
8	R0110815	Bolt: 5/8" x 1-1/4"
9	R0430102	Nut, Lock: 1/4"
10	R0510102	Washer, Flat: 1/4"
11	R0610008	Washer, Lock: 5/8"
12	R0804281	Wire Latch Pin: 3/8" x 2-1/2"
13	R0810751	Pin, D-Handle: 1" x 7-1/2"
14	R2000000	Screw, Self Tapping: #12 x 1-1/2"
15	R9912001	Operators Manual Cannister
16	R9913001	SMV Sign
17	WC001018	Bracket, Hazard Light: Left
18	n/a	32' Twister Main Frame: Left (Inquire)

32' TWISTER



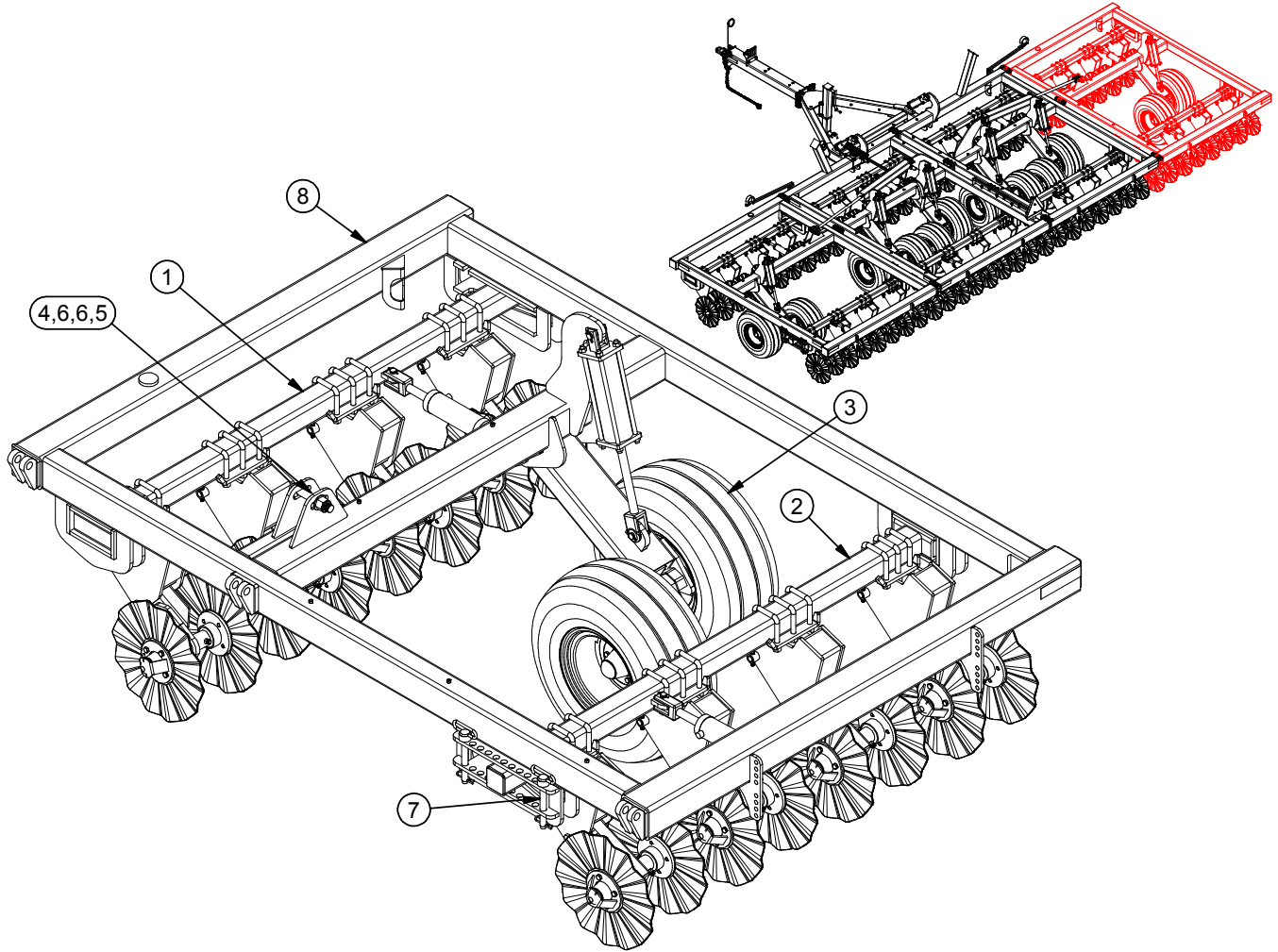
Item	Part #	Description
1	n/a	Assembly, Coulters Bar, Front: 8' (See Pg. 38-47)
2	n/a	Assembly, Coulters Bar, Rear: 8' (See Pg. 38-47)
3	n/a	Assembly, Axle and Wheels (See Pg.48)
4	n/a	Assembly, Axle and Wheels (See Pg.48)
5	R0110815	Bolt: 5/8" x 1-1/4"
6	R0610008	Washer, Lock: 5/8"
7	R0810751	Pin, D-Handle: 1" x 7-1/2"
8	WC001017	Bracket, Hazard Light: Right
9	n/a	32' Twister Main Frame: Right (Inquire)

32' TWISTER



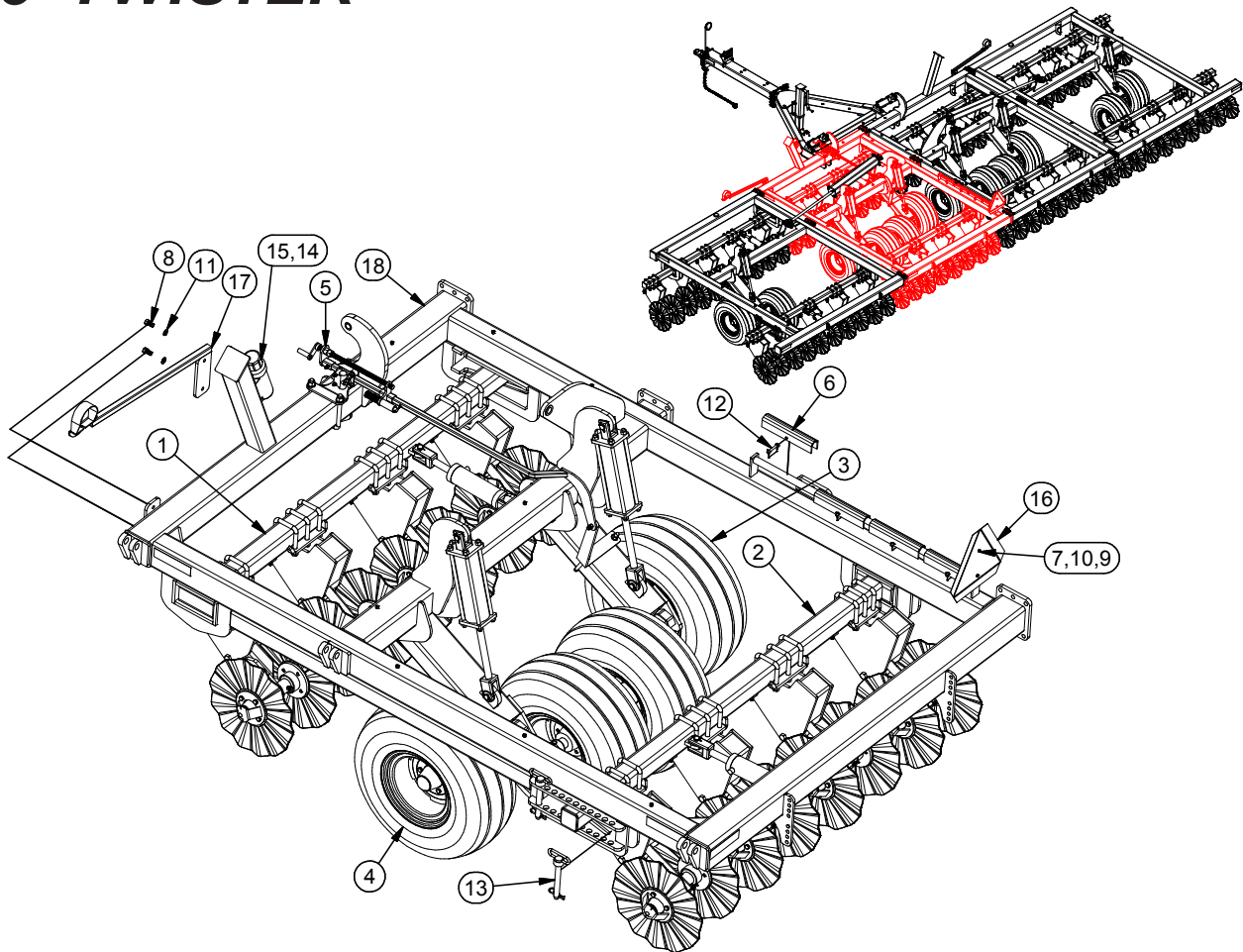
Item	Part #	Description
1	n/a	Assembly, Coulters Bar, Front: 8' (See Pg. 38-47)
2	n/a	Assembly, Coulters Bar, Rear: 8' (See Pg. 38-47)
3	n/a	Assembly, Axle and Wheels (See Pg.48)
4	R0131385	Bolt: 1-1/4" x 8-1/2"
5	R0430113	Nut, Lock: 1-1/4"
6	R0510213	Washer, Flat: 1-1/4"
7	R0810751	Pin, D-Handle: 1" x 7-1/2"
8	n/a	32' Twister Wing Frame: Left (Inquire)

32' TWISTER



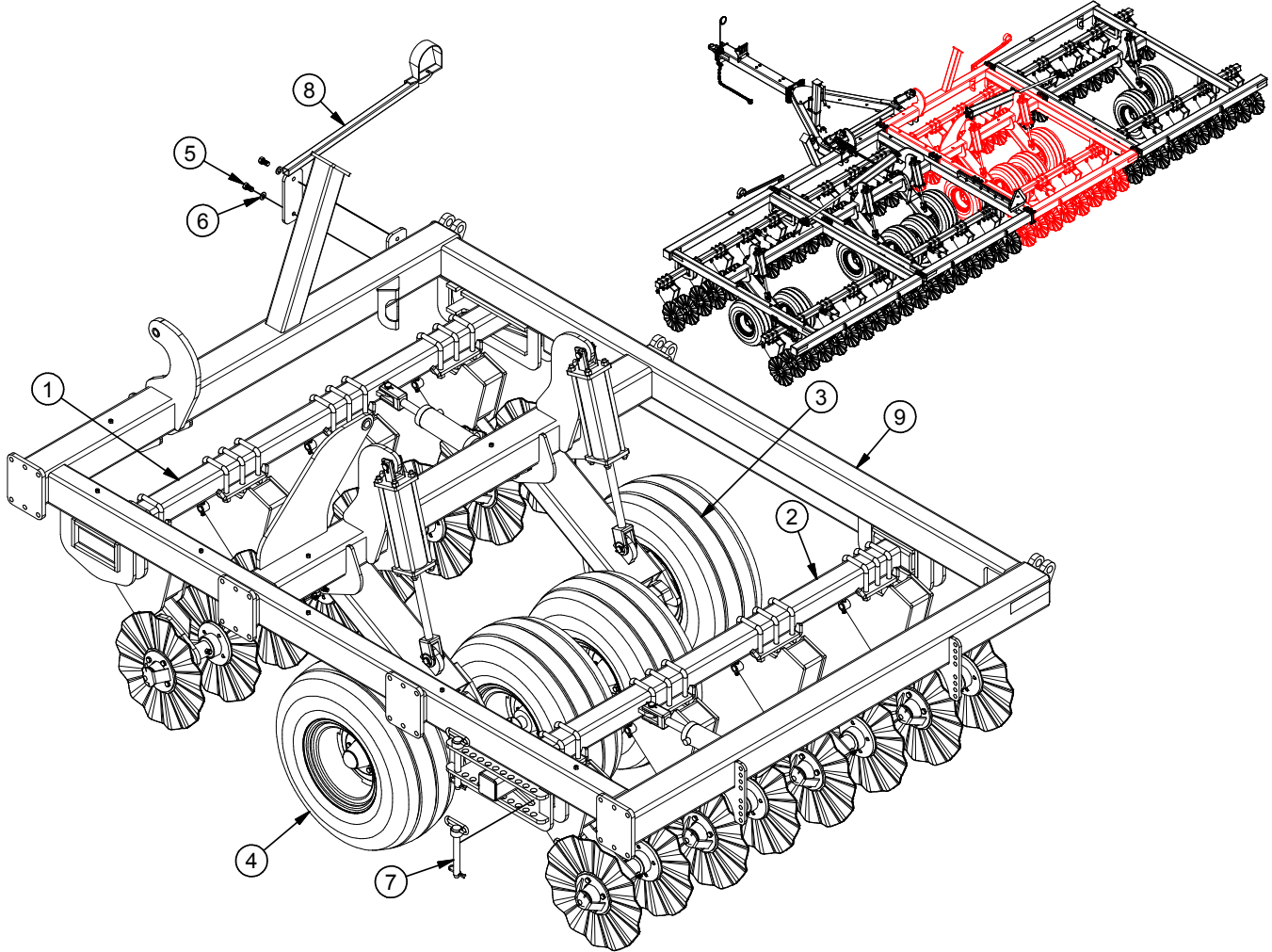
Item	Part #	Description
1	n/a	Assembly, Coulters Bar, Front: 8' (See Pg. 38-47)
2	n/a	Assembly, Coulters Bar, Rear: 8' (See Pg. 38-47)
3	n/a	Assembly, Axle and Wheels (See Pg.48)
4	R0131385	Bolt: 1-1/4" x 8-1/2"
5	R0430113	Nut, Lock: 1-1/4"
6	R0510213	Washer, Flat: 1-1/4"
7	R0810751	Pin, D-Handle: 1" x 7-1/2"
8	n/a	32' Twister Wing Frame: Right (Inquire)

36' TWISTER



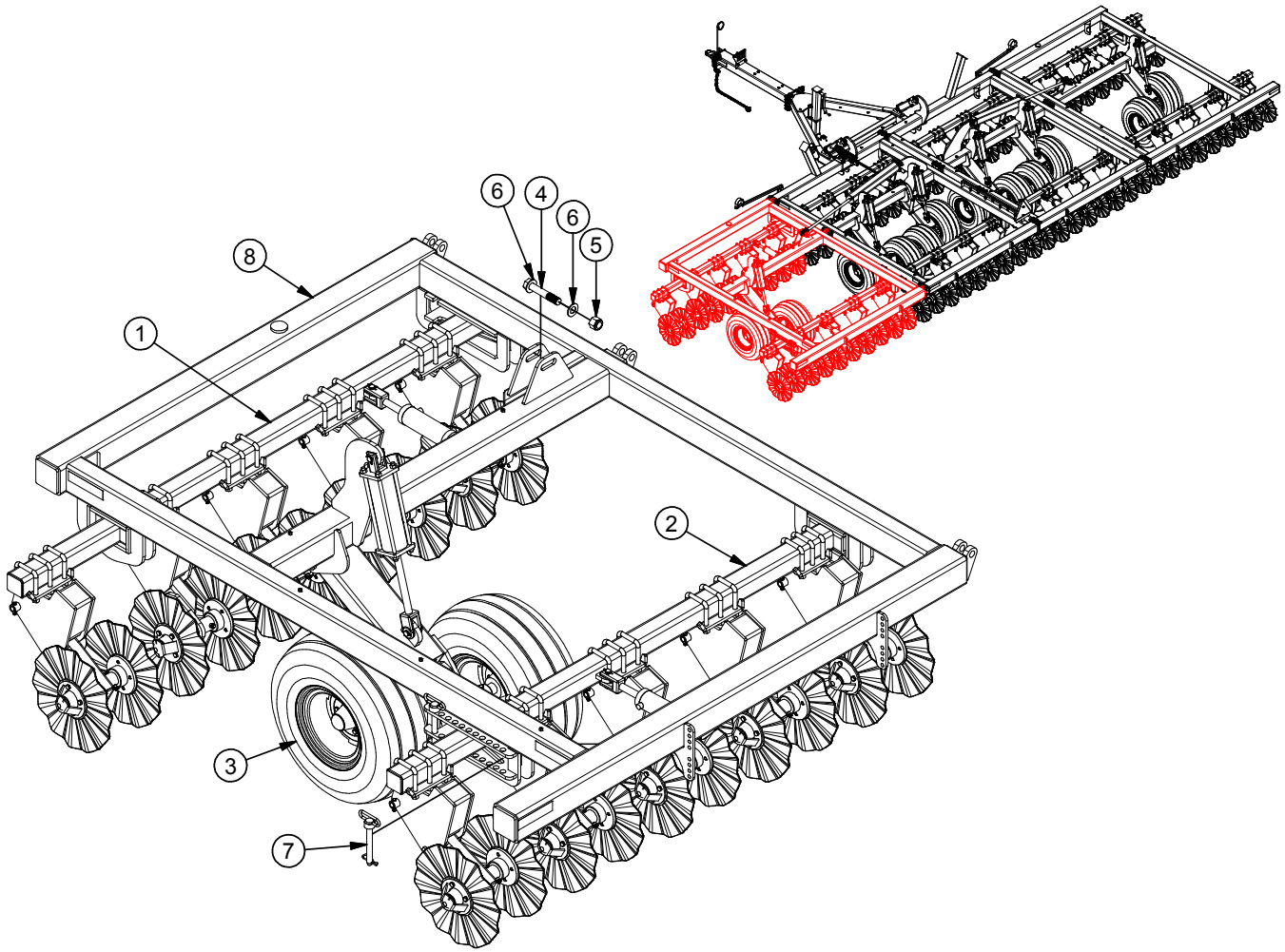
Item	Part #	Description
1	n/a	Assembly, Coulters Bar, Front: 8' (See Pg. 38-47)
2	n/a	Assembly, Coulters Bar, Rear: 8' (See Pg. 38-47)
3	n/a	Assembly, Axle and Wheels (See Pg.48)
4	n/a	Assembly, Axle and Wheels (See Pg.48)
5	n/a	Assembly, Depth Control (See Pg.58-59)
6	PP031001	Cylinder Stop: 1-1/2" x 11-3/4" (Includes Item No.11)
7	R0130210	Bolt: 1/4" x 1"
8	R0110815	Bolt: 5/8" x 1-1/4"
9	R0430102	Nut, Lock: 1/4"
10	R0510102	Washer, Flat: 1/4"
11	R0610008	Washer, Lock: 5/8"
12	R0804281	Wire Latch Pin: 3/8" x 2-1/2"
13	R0810751	Pin, D-Handle: 1" x 7-1/2"
14	R2000000	Screw, Self Tapping: #12 x 1-1/2"
15	R9912001	Operators Manual Cannister
16	R9913001	SMV Sign
17	WC001018	Bracket, Hazard Light: Left
18	n/a	36' Twister Main Frame: Left (Inquire)

36' TWISTER



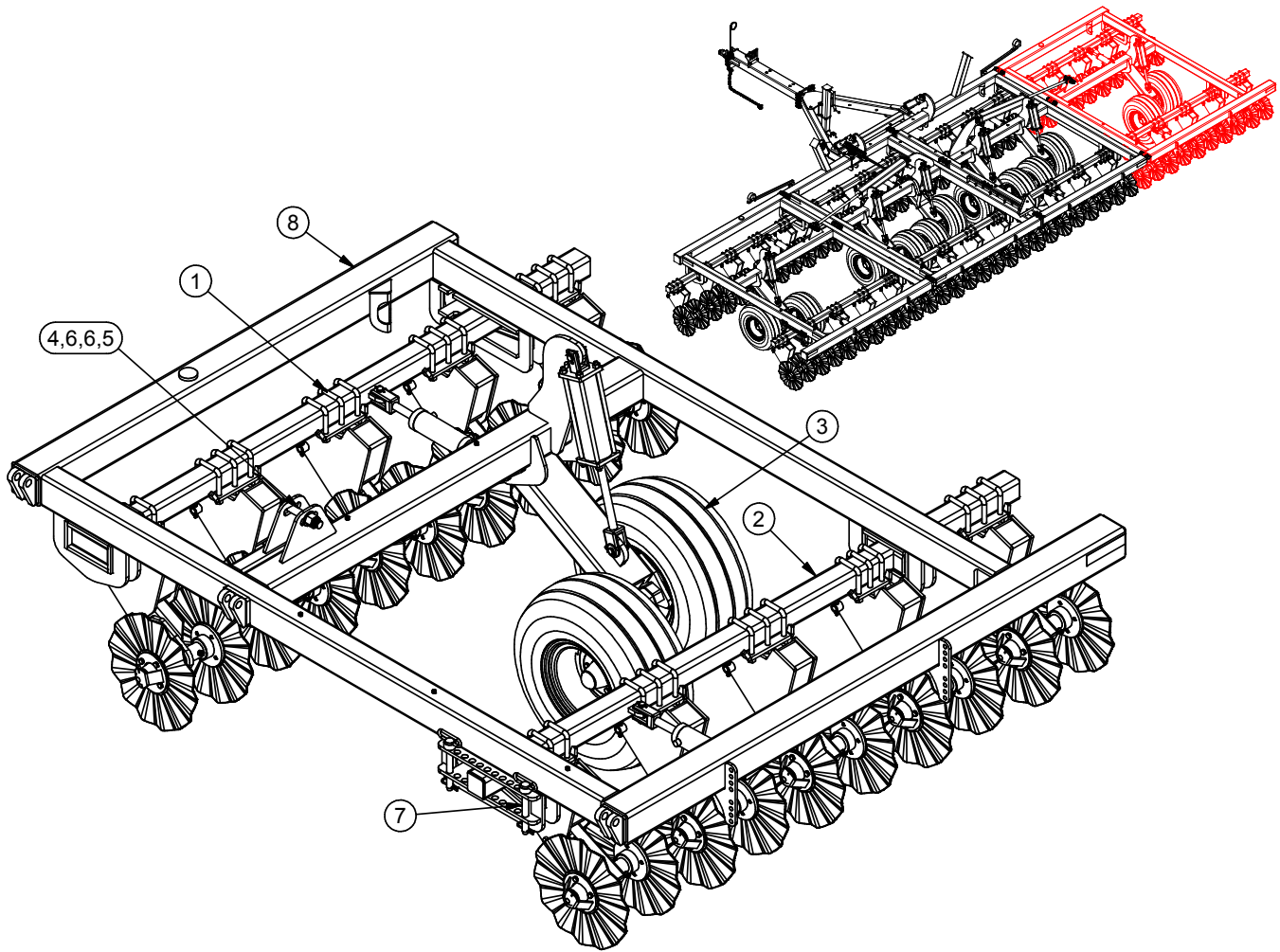
Item	Part #	Description
1	n/a	Assembly, Coulters Bar, Front: 8' (See Pg. 38-47)
2	n/a	Assembly, Coulters Bar, Rear: 8' (See Pg. 38-47)
3	n/a	Assembly, Axle and Wheels (See Pg.48)
4	n/a	Assembly, Axle and Wheels (See Pg.48)
5	R0110815	Bolt: 5/8" x 1-1/4"
6	R0610008	Washer, Lock: 5/8"
7	R0810751	Pin, D-Handle: 1" x 7-1/2"
8	WC001017	Bracket, Hazard Light: Right
9	n/a	36' Twister Main Frame: Right (Inquire)

36' TWISTER



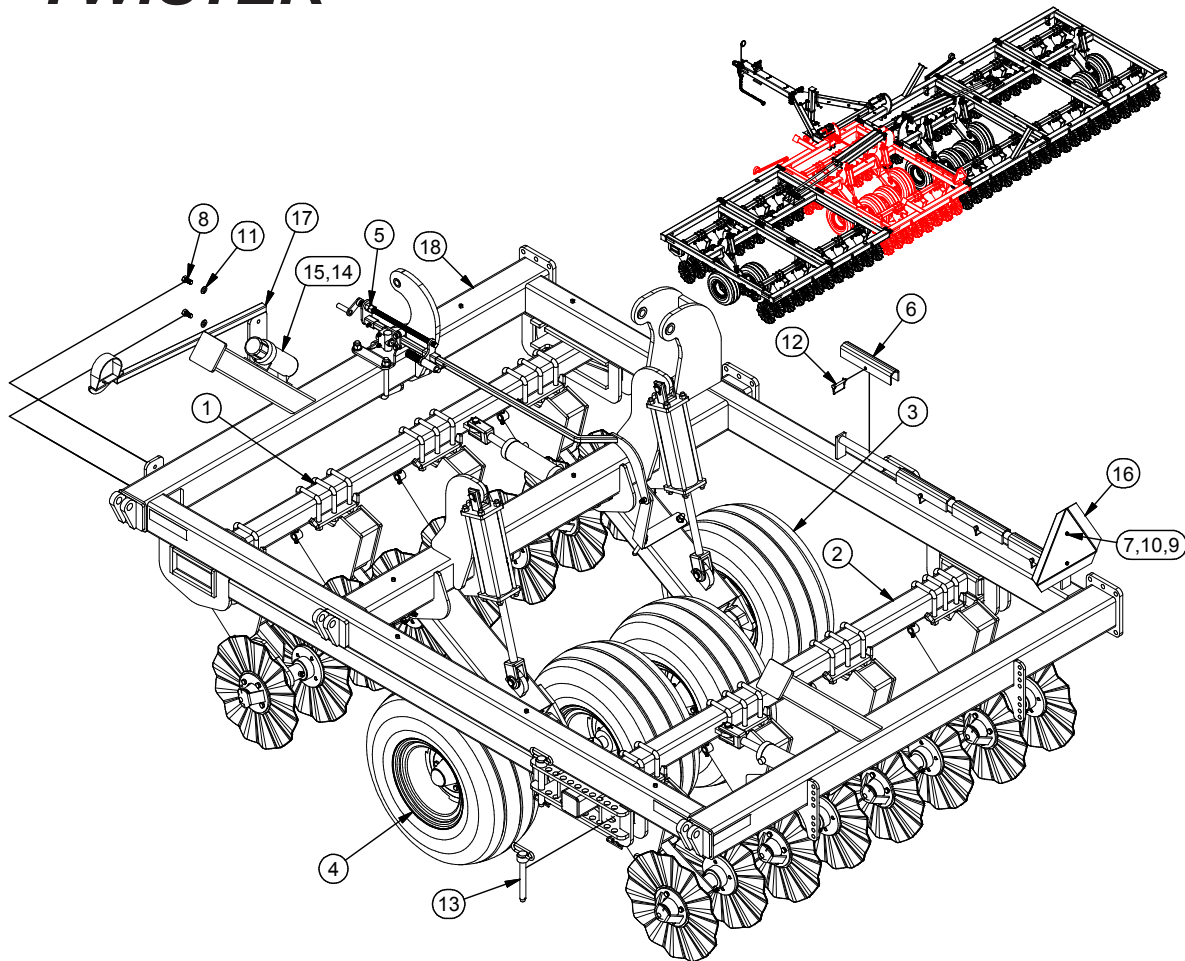
Item	Part #	Description
1	n/a	Assembly, Coulters Bar, Front, Left: 10' (See Pg. 38-47)
2	n/a	Assembly, Coulters Bar, Rear, Left: 10' (See Pg. 38-47)
3	n/a	Assembly, Axle and Wheels (See Pg.48)
4	R0131385	Bolt: 1-1/4" x 8-1/2"
5	R0430113	Nut, Lock: 1-1/4"
6	R0510213	Washer, Flat: 1-1/4"
7	R0810751	Pin, D-Handle: 1" x 7-1/2"
8	n/a	36' Twister Wing Frame: Left (Inquire)

36' TWISTER



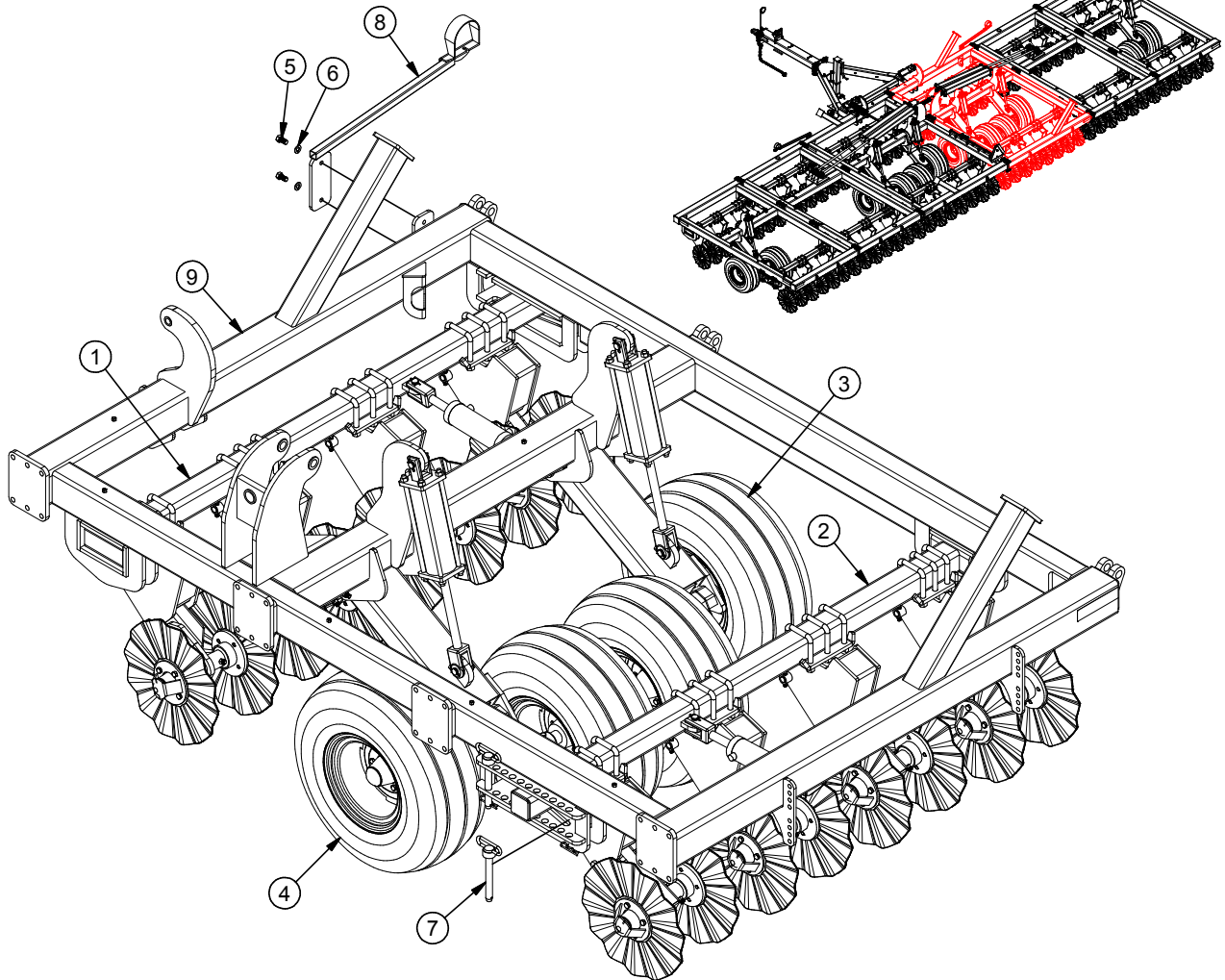
Item	Part #	Description
1	n/a	Assembly, Coulters Bar, Front, Right: 10' (See Pg. 38-47)
2	n/a	Assembly, Coulters Bar, Rear, Right: 10' (See Pg. 38-47)
3	n/a	Assembly, Axle and Wheels (See Pg.48)
4	R0131385	Bolt: 1-1/4" x 8-1/2"
5	R0430113	Nut, Lock: 1-1/4"
6	R0510213	Washer, Flat: 1-1/4"
7	R0810751	Pin, D-Handle: 1" x 7-1/2"
8	n/a	36' Twister Wing Frame: Right (Inquire)

40' TWISTER



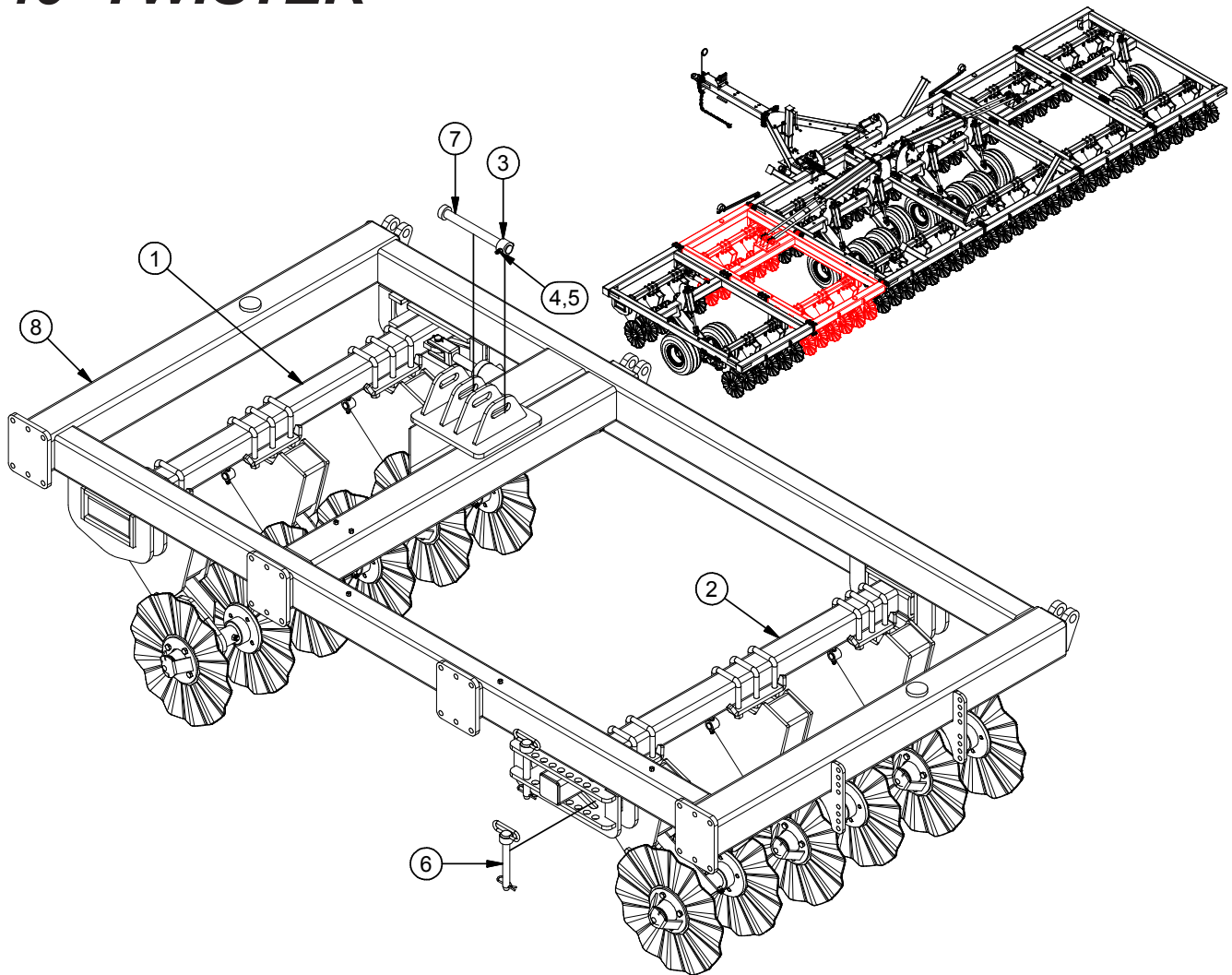
Item	Part #	Description
1	n/a	Assembly, Coulters Bar, Front: 8' (See Pg. 38-47)
2	n/a	Assembly, Coulters Bar, Rear: 8' (See Pg. 38-47)
3	n/a	Assembly, Axle and Wheels (See Pg.48)
4	n/a	Assembly, Axle and Wheels (See Pg.48)
5	n/a	Assembly, Depth Control (See Pg.58-59)
6	PP031001	Cylinder Stop: 1-1/2" x 11-3/4" (Includes Item No.11)
7	R0130210	Bolt: 1/4" x 1"
8	R0110815	Bolt: 5/8" x 1-1/4"
9	R0430102	Nut, Lock: 1/4"
10	R0510102	Washer, Flat: 1/4"
11	R0610008	Washer, Lock: 5/8"
12	R0804281	Wire Latch Pin: 3/8" x 2-1/2"
13	R0810751	Pin, D-Handle: 1" x 7-1/2"
14	R2000000	Screw, Self Tapping: #12 x 1-1/2"
15	R9912001	Operators Manual Cannister
16	R9913001	SMV Sign
17	WC001018	Bracket, Hazard Light: Left
18	n/a	40' Twister Main Frame: Left (Inquire)

40' TWISTER



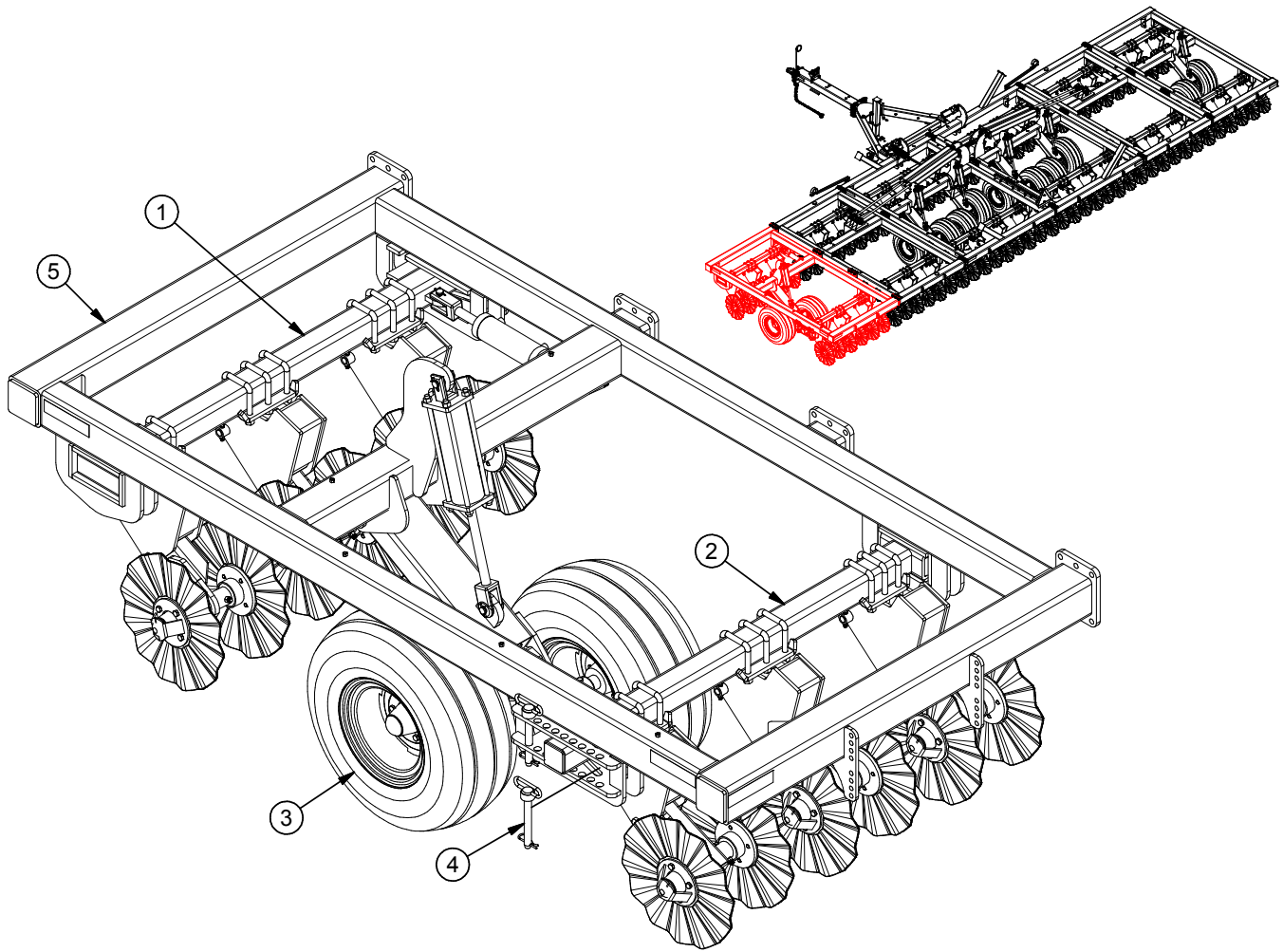
Item	Part #	Description
1	n/a	Assembly, Coulters Bar, Front: 8' (See Pg. 38-47)
2	n/a	Assembly, Coulters Bar, Rear: 8' (See Pg. 38-47)
3	n/a	Assembly, Axle and Wheels (See Pg.48)
4	n/a	Assembly, Axle and Wheels (See Pg.48)
5	R0110815	Bolt: 5/8" x 1-1/4"
6	R0610008	Washer, Lock: 5/8"
7	R0810751	Pin, D-Handle: 1" x 7-1/2"
8	WC001017	Bracket, Hazard Light: Right
9	n/a	40' Twister Main Frame: Right (Inquire)

40' TWISTER



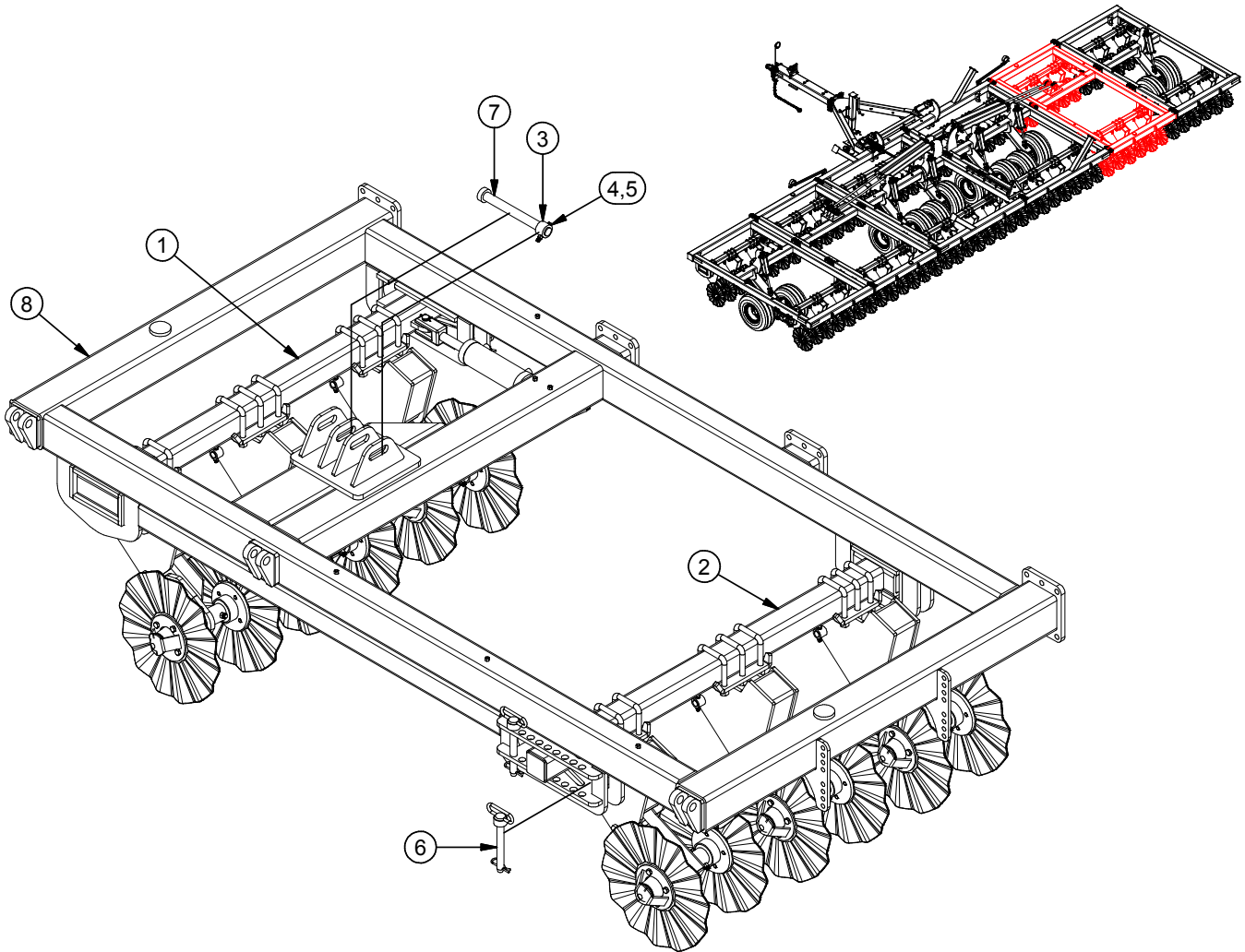
Item	Part #	Description
1	n/a	Assembly, Coulters Bar, Front: 6' (See Pg. 38-47)
2	n/a	Assembly, Coulters Bar, Rear: 6' (See Pg. 38-47)
3	PB201003	Bushing, Bolt: 1-1/4" ID x 1-1/2"L
4	R0110430	Bolt: 3/8" x 3"
5	R0410104	Nut, Lock: 3/8"
6	R0810751	Pin, D-Handle: 1" x 7-1/2"
7	PR131001	Pin: 1-1/4" x 12-5/8"
8	n/a	40' Twister Wing Frame, Inner: Left (Inquire)

40' TWISTER



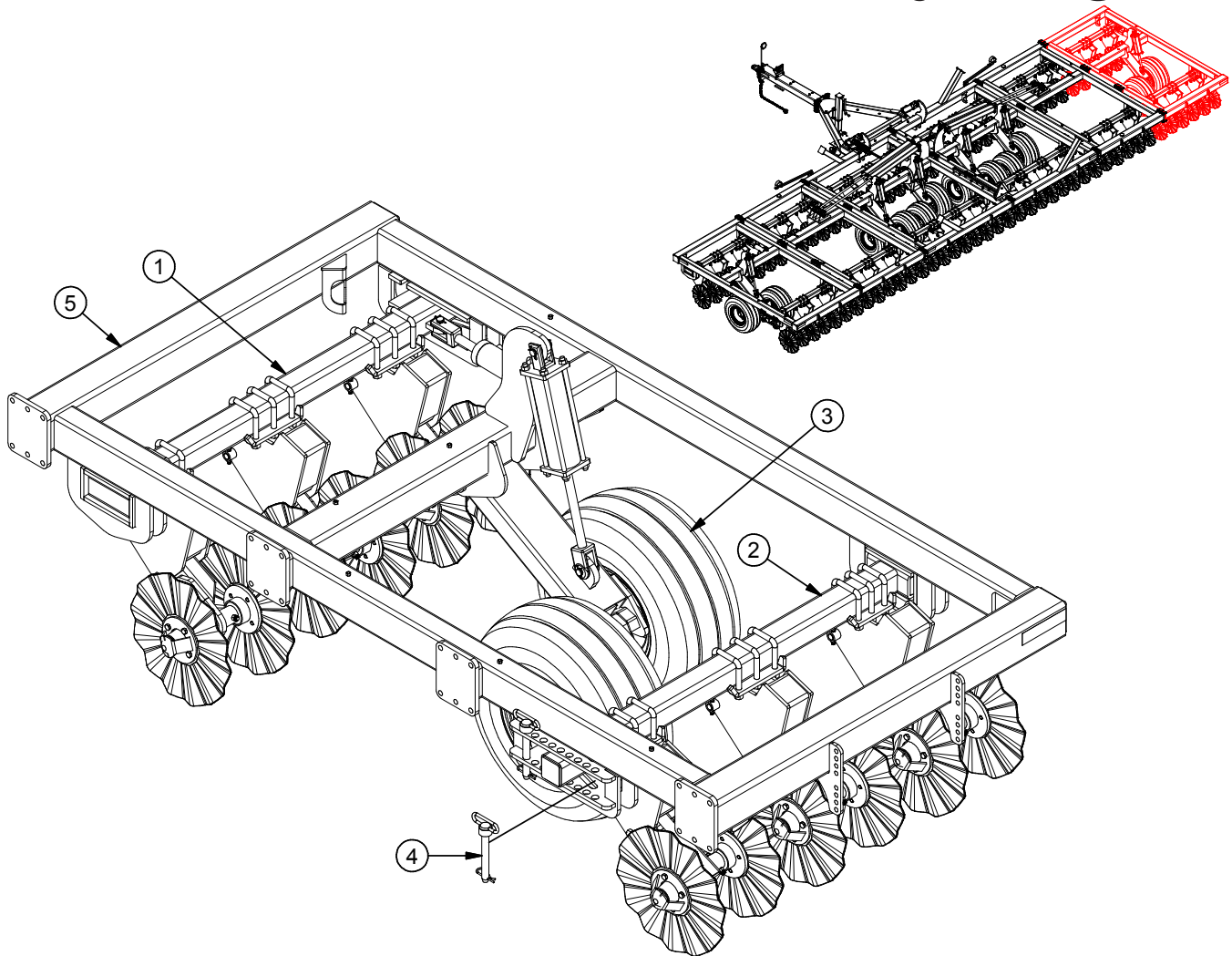
Item	Part #	Description
1	n/a	Assembly, Coulters Bar, Front: 6' (See Pg. 38-47)
2	n/a	Assembly, Coulters Bar, Rear: 6' (See Pg. 38-47)
3	n/a	Assembly, Axle and Wheels (See Pg.48)
4	R0810751	Pin, D-Handle: 1" x 7-1/2"
5	n/a	40' Twister Wing Frame, Outer: Left (Inquire)

40' TWISTER

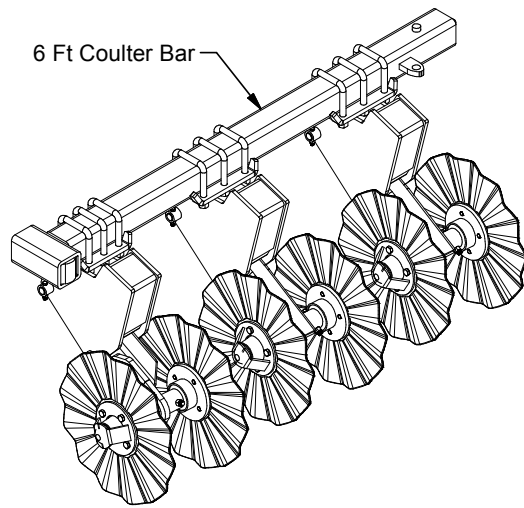


Item	Part #	Description
1	n/a	Assembly, Coulters Bar, Front: 6' (See Pg. 38-47)
2	n/a	Assembly, Coulters Bar, Rear: 6' (See Pg. 38-47)
3	PB201003	Bushing, Bolt: 1-1/4' ID x 1-1/2"L
4	R0110430	Bolt: 3/8" x 3"
5	R0410104	Nut, Lock: 3/8"
6	R0810751	Pin, D-Handle: 1" x 7-1/2"
7	PR131001	Pin: 1-1/4" x 12-5/8"
8	n/a	40' Twister Wing Frame, Inner: Right (Inquire)
*	R0510213	Washer, Flat: 1-1/4"

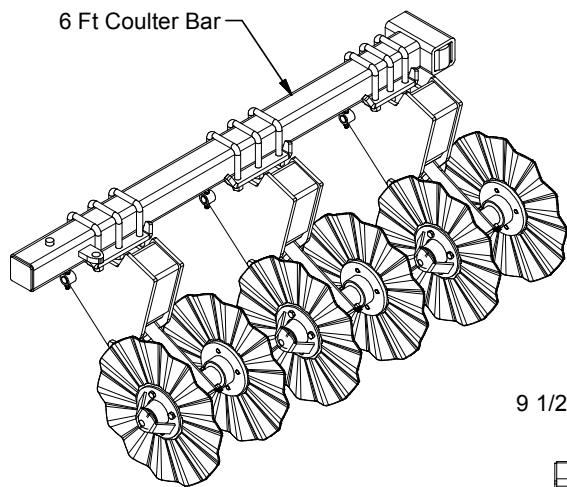
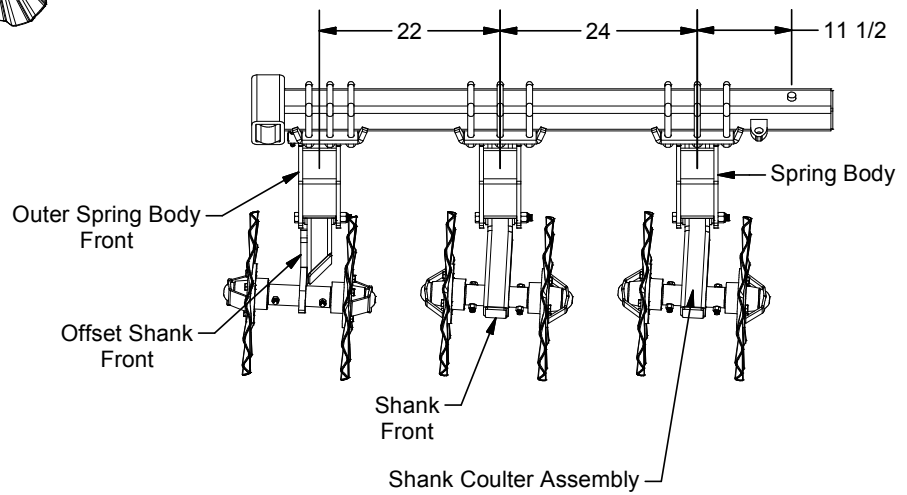
40' TWISTER



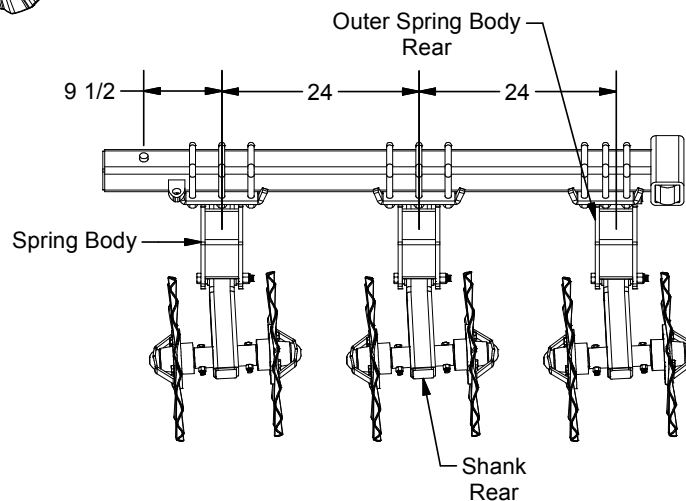
Item	Part #	Description
1	n/a	Assembly, Coulters Bar, Front: 6' (See Pg. 38-47)
2	n/a	Assembly, Coulters Bar, Rear: 6' (See Pg. 38-47)
3	n/a	Assembly, Axle and Wheels (See Pg.48)
4	R0810751	Pin, D-Handle: 1" x 7-1/2"
5	n/a	40' Twister Wing Frame, Outer: Right (Inquire)

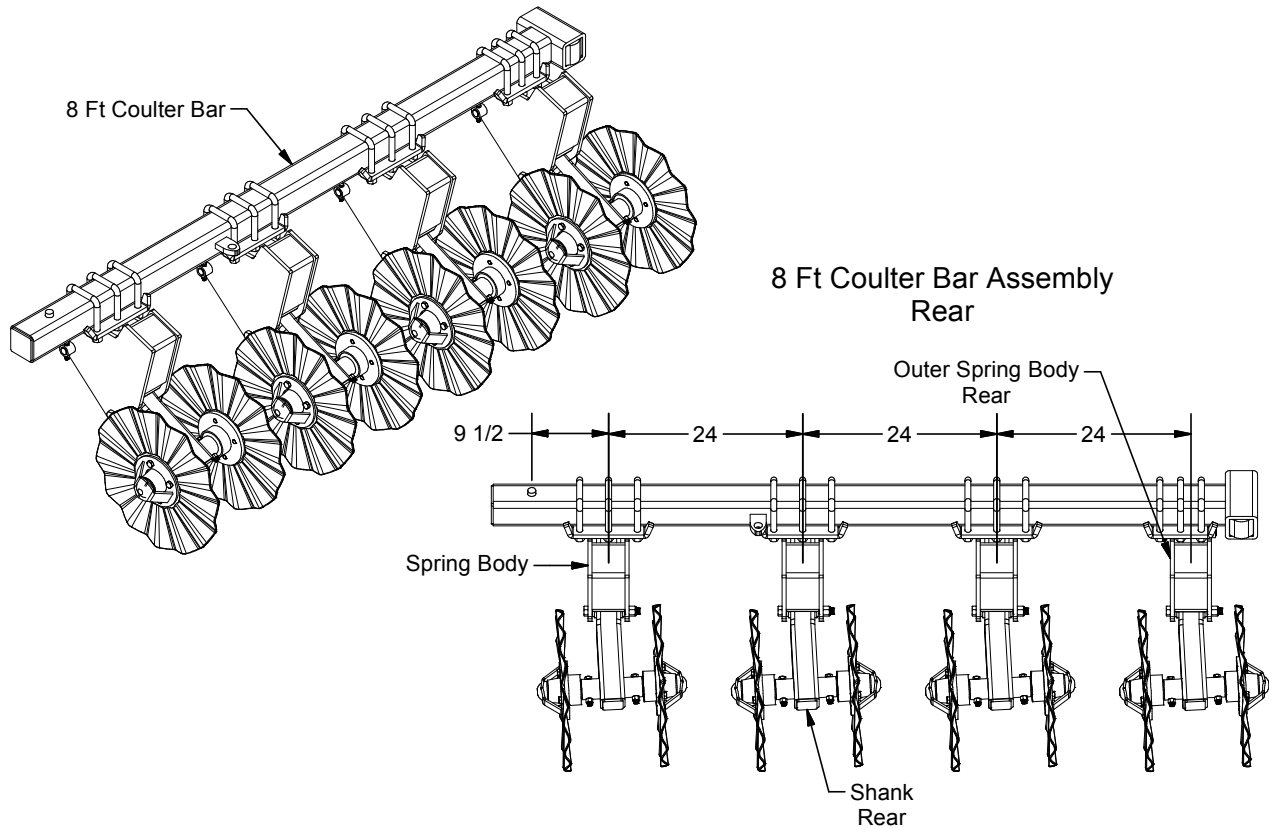
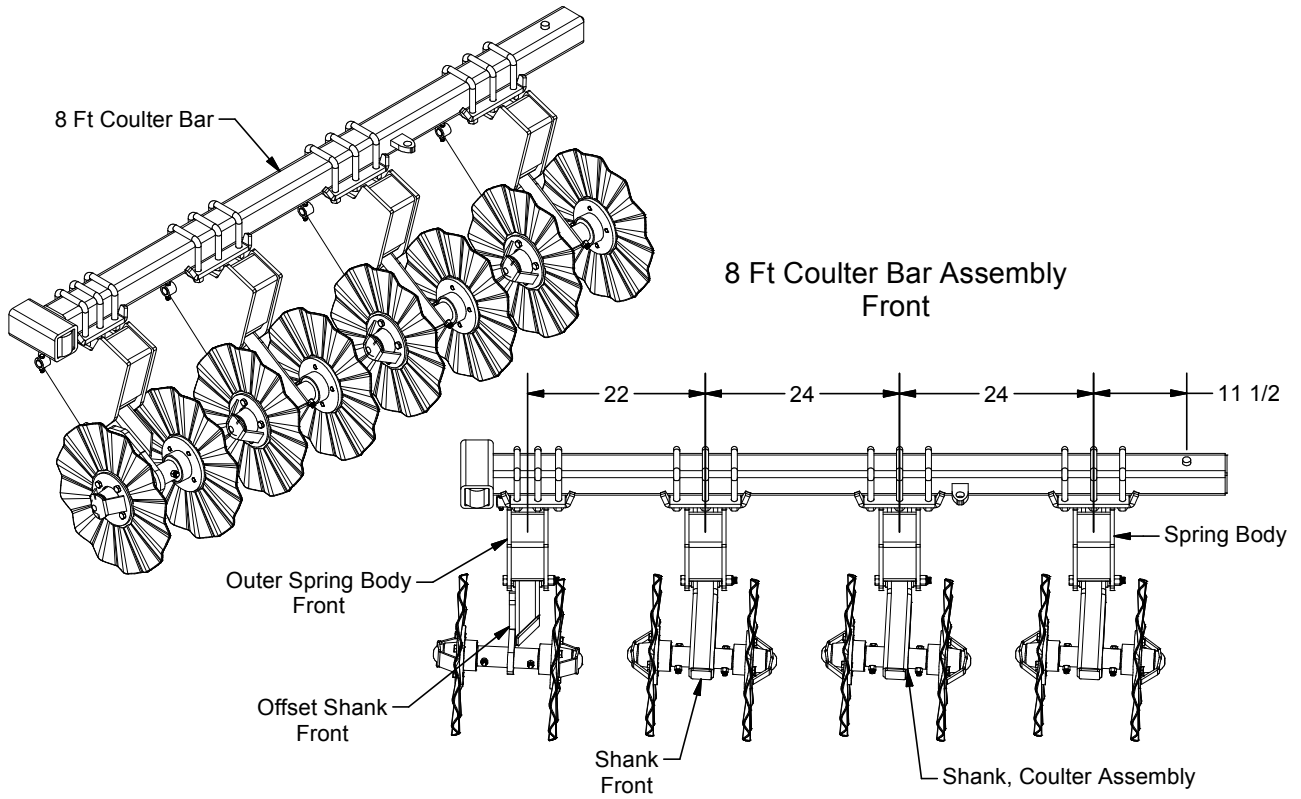


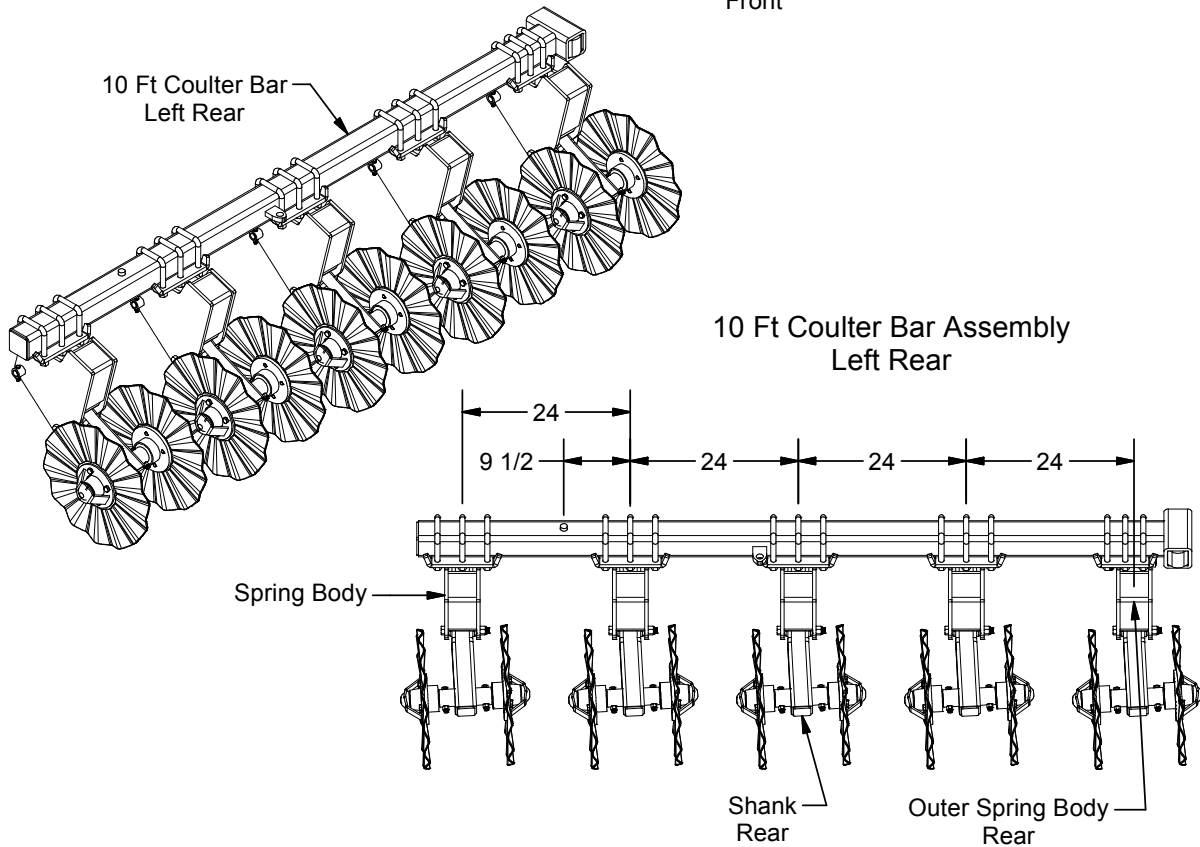
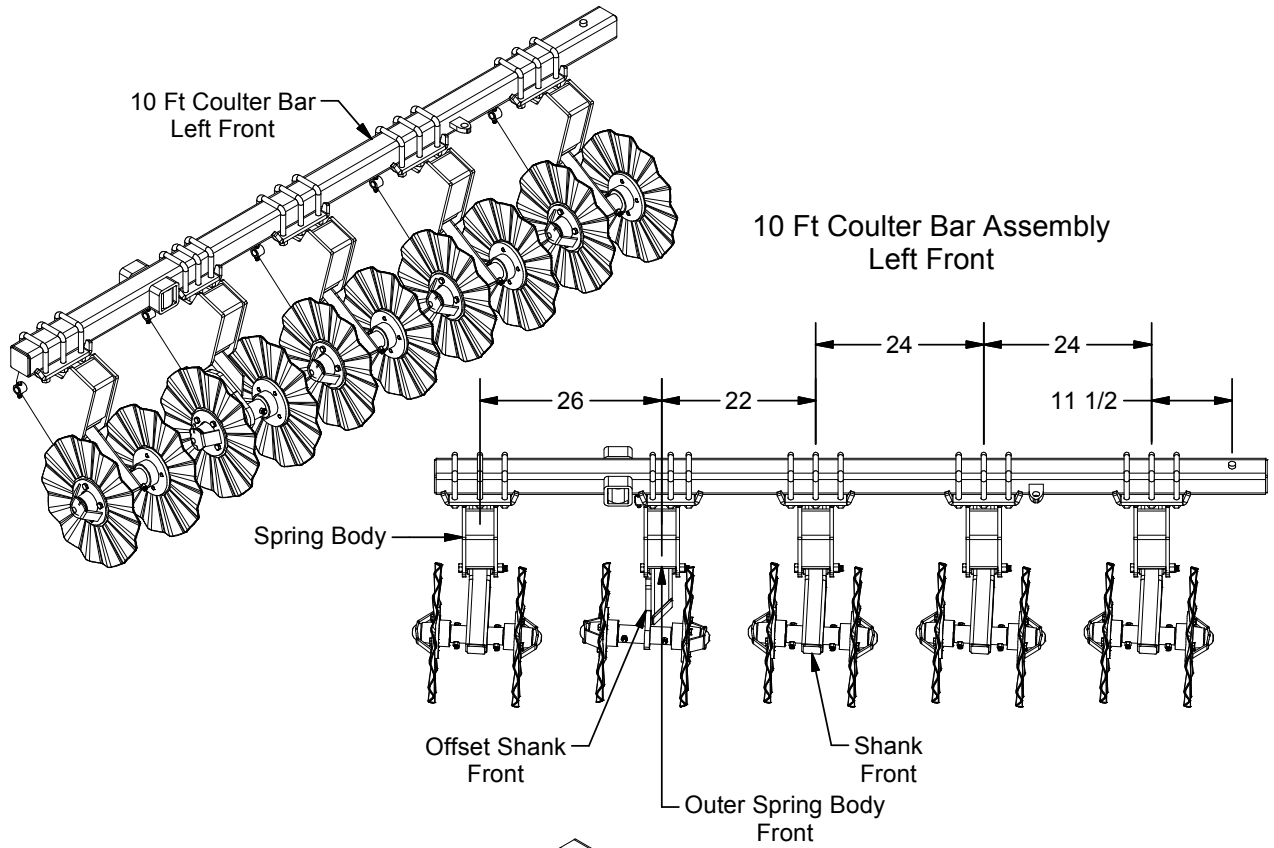
6 Ft Coulter Bar Assembly
Front

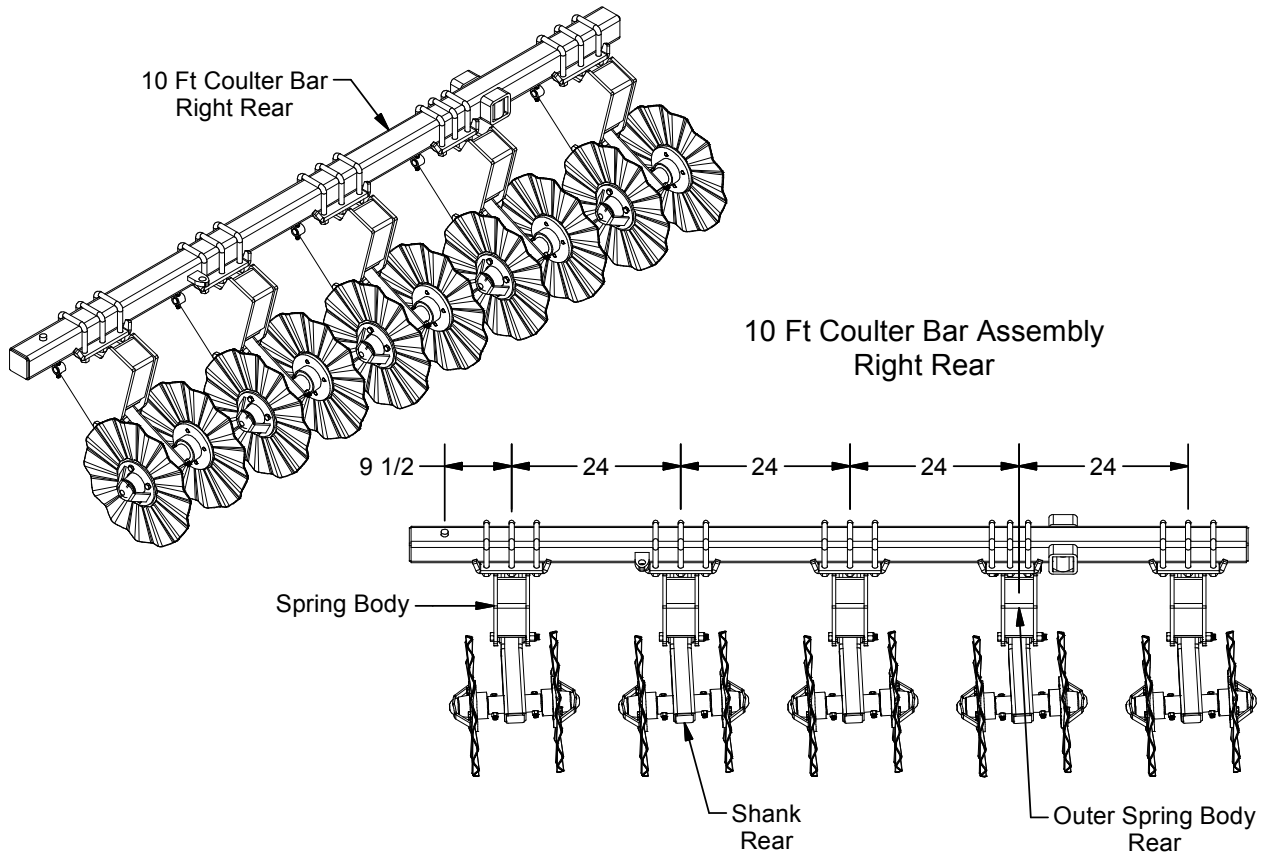
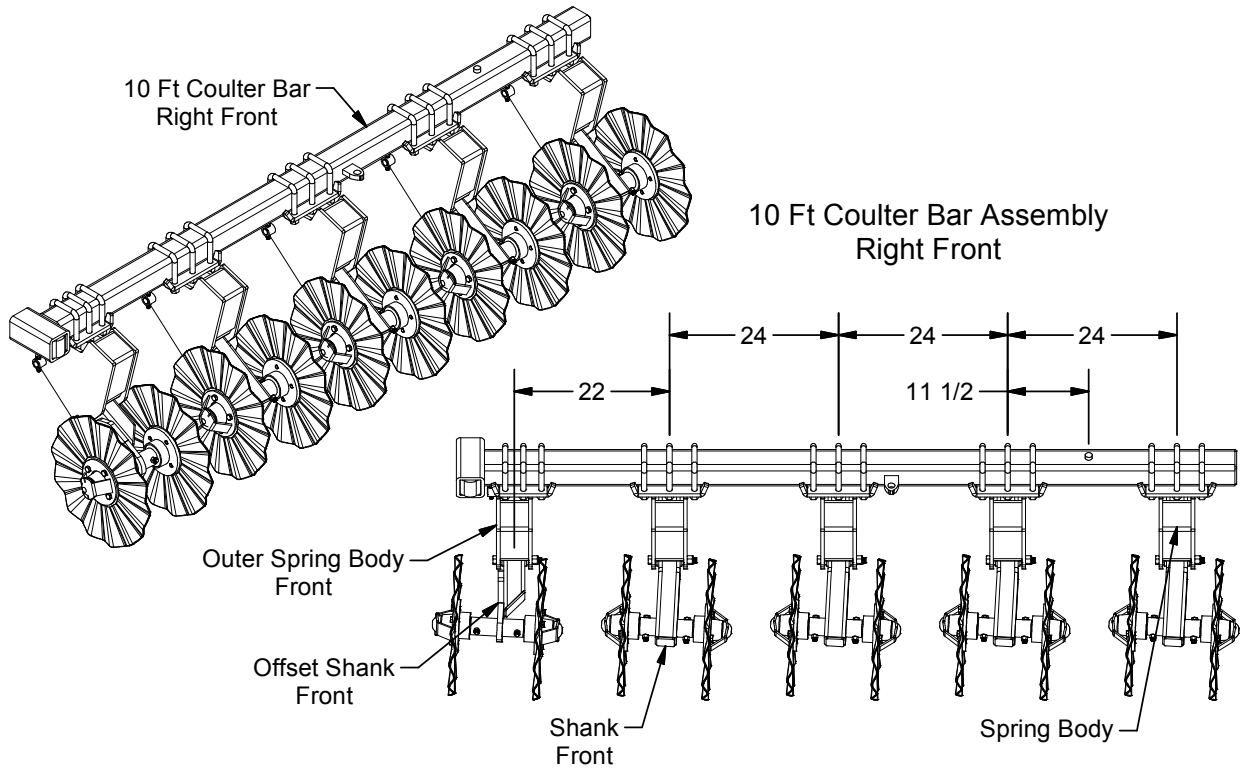


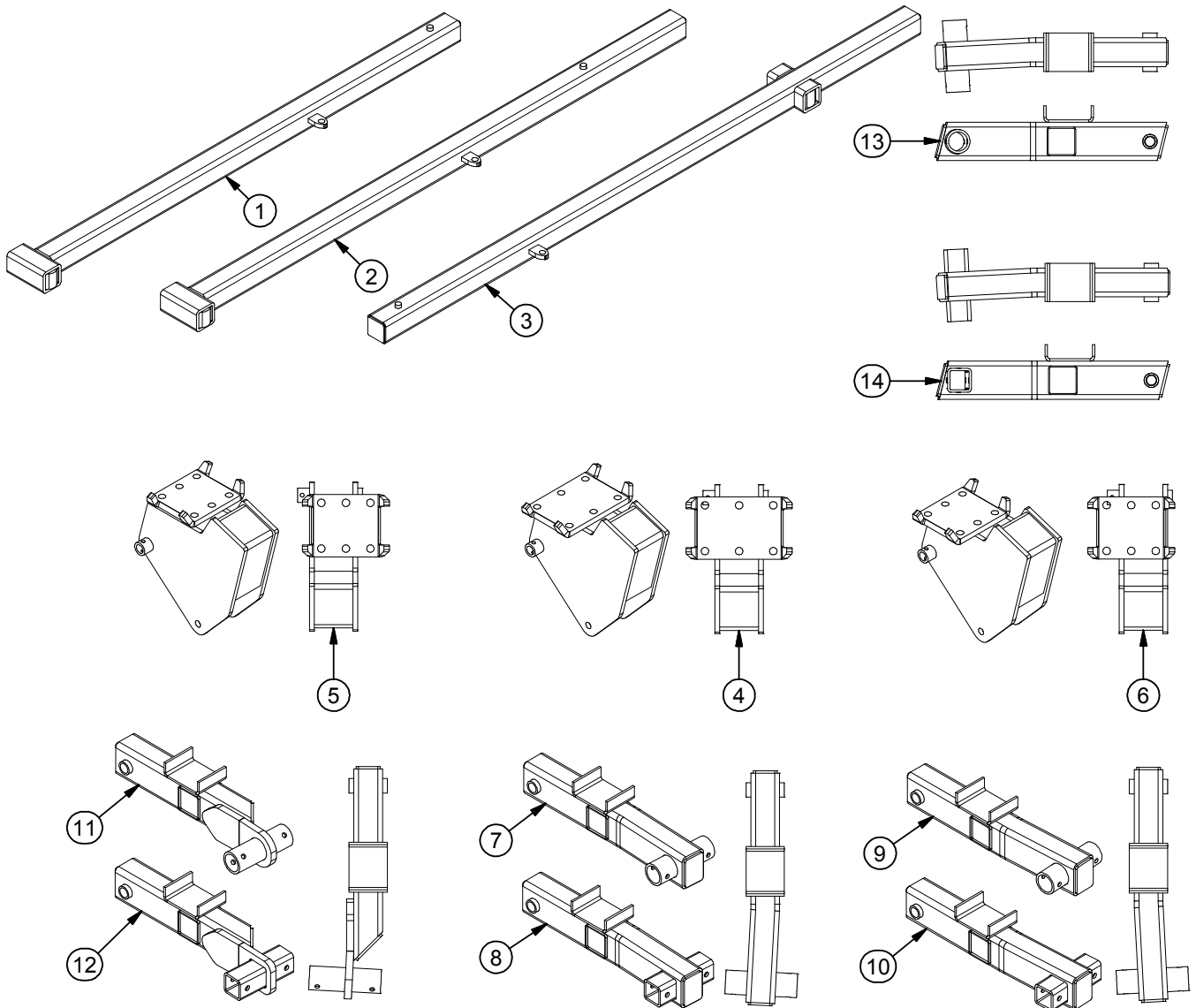
6 Ft Coulter Bar Assembly
Rear





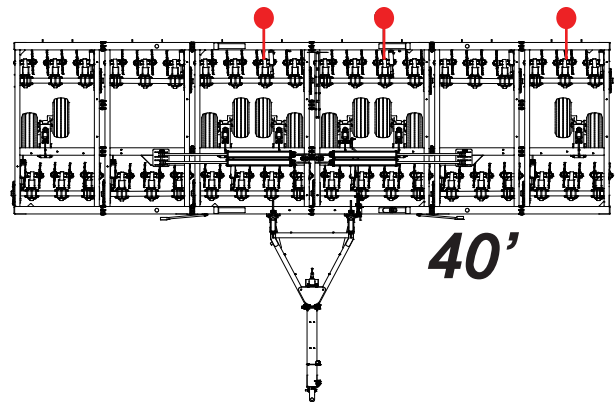
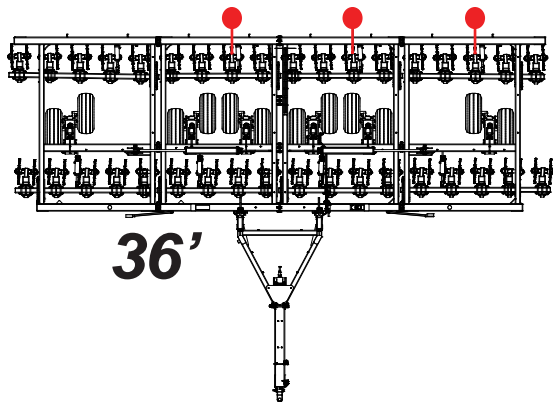
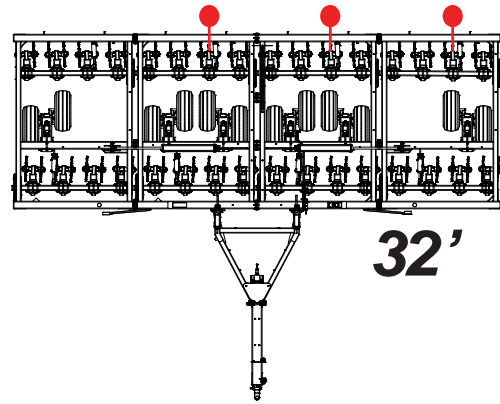
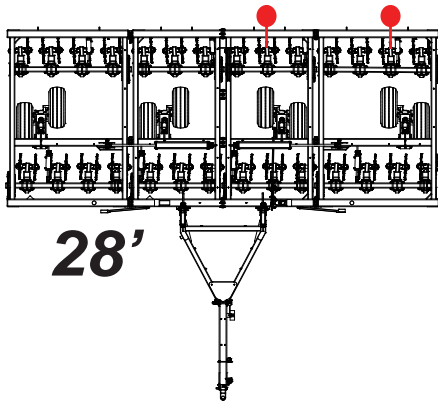
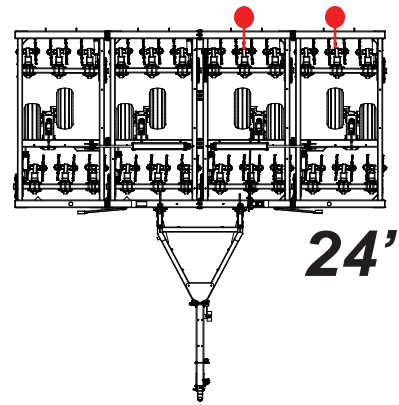
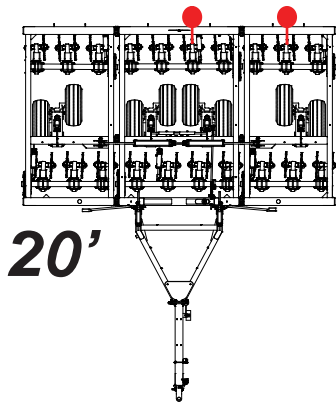
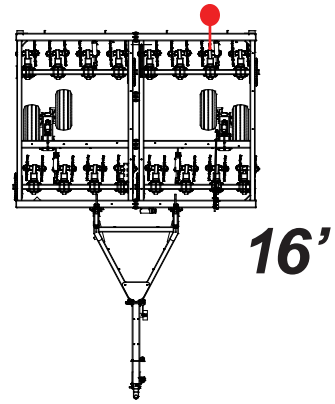
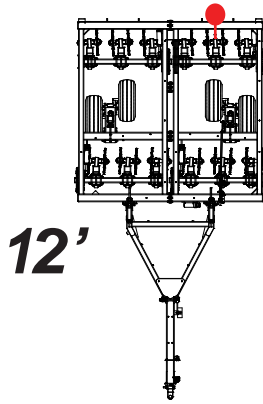


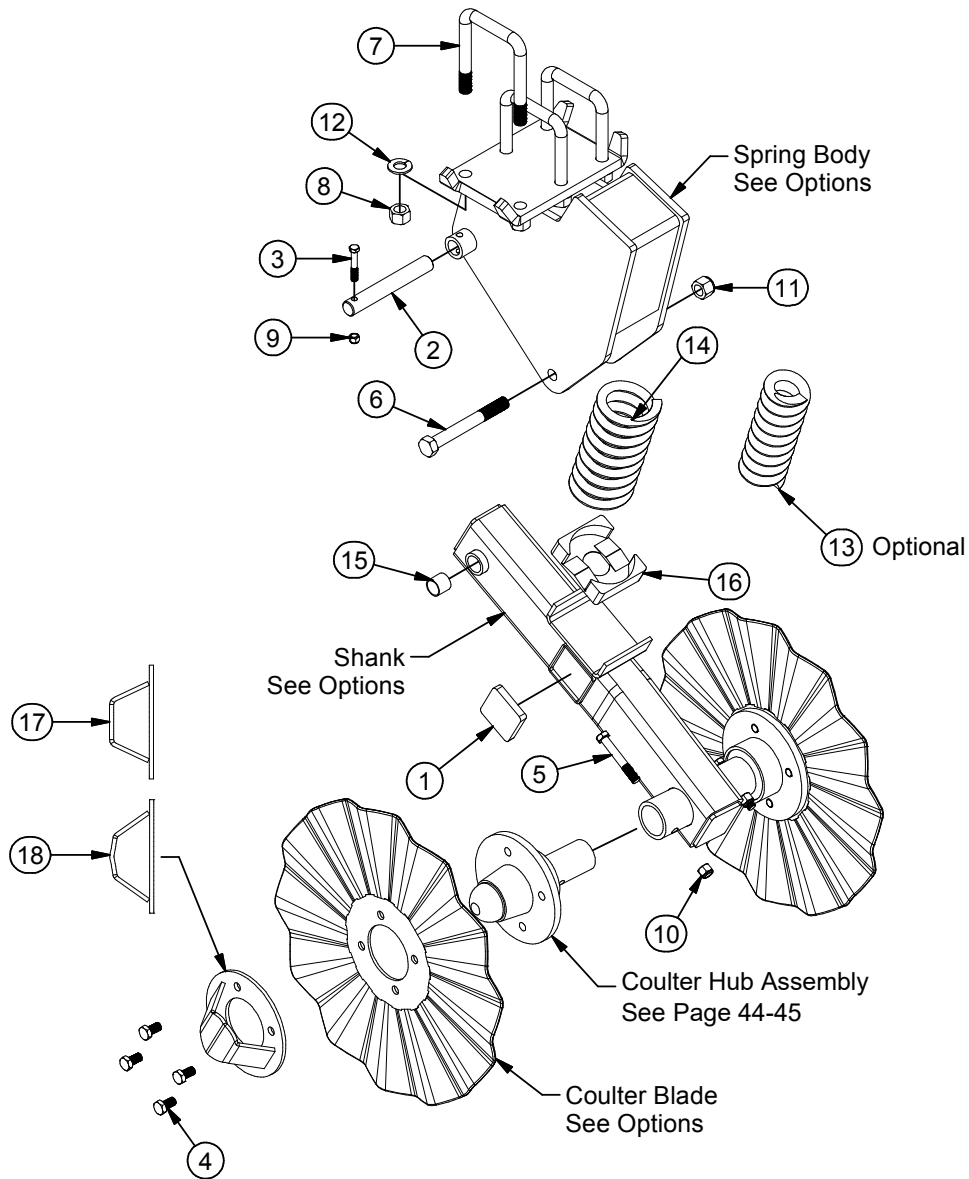




Item	Part #	Description	Item	Part #	Description
1	WC001002	Bar, Coulter: 6'	8	WC001010	Shank, Front: Square Spindle
2	WC001003	Bar, Coulter: 8'	9	WC001011	Shank, Rear Round Spindle
3	WC001004	Bar, Coulter: 10'	10	WC001012	Shank, Rear Square Spindle
4	WC001006	Body, Spring	11	WC001013	Shank, Offset, Front: Round
5	WC001007	Body, Spring, Outer: Front	12	WC001014	Shank, Offset, Front: Square
6	WC001008	Body, Spring, Outer: Rear	13	WC001044	Shank, Clearing: Round Spindle
7	WC001009	Shank, Front: Round Spindle	14	WC001045	Shank, Clearing: Square Spindle

CLEARING SHANK LOCATIONS





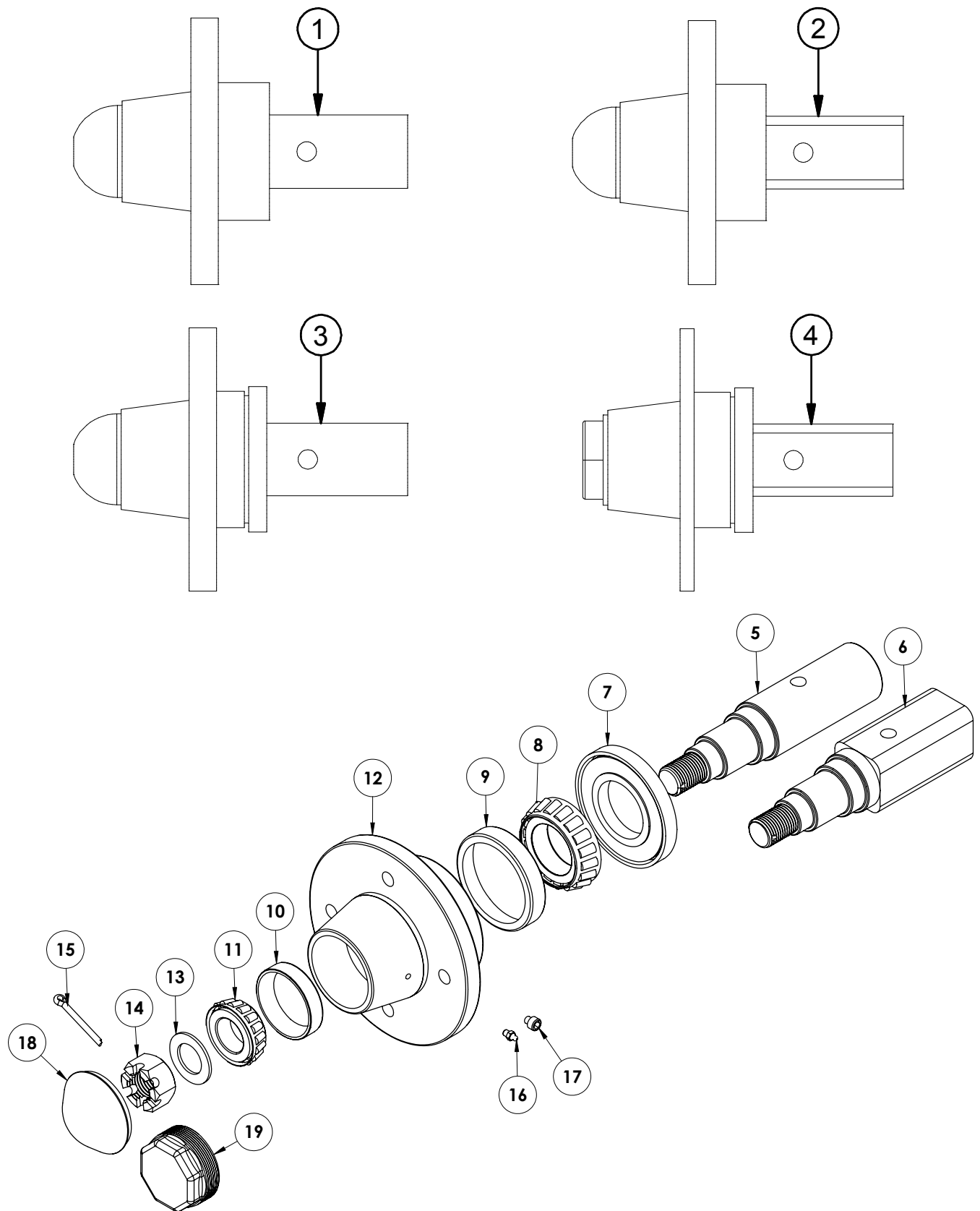
Item	Part #	Description	Item	Part #	Description
1	PM051001	Pad, UHMW	10	R0410106	Nut, Lock: 1/2"
2	PR101001	Pin: 1" x 7-1/2"	11	R0410109	Nut, Lock: 3/4"
3	R0110423	Bolt: 3/8" x 2-1/4"	12	R0610009	Washer, Lock: 3/4"
4 a)	R0140613	Bolt, Fine: 1/2" x 1"	13	R0928001	Spring, Shank, Inner (Optional)
4 b)	R0620006	Washer, Lock: 1/2"	14	R0940001	Spring, Shank, Outer
5	R0130635	Bolt: 1/2" x 3-1/2"	15	R1010006	Bushing, Greaseless: 2"
6	R0130965	Bolt: 3/4" x 6-1/2"	16	R9902001	Base, Shank Spring
7	R0239458	U-Bolt: 3/4" x 4" x 5-3/4"	17	WC001015	Shield, Hub: Flat Dust Cap
8	R0310109	Nut: 3/4"	18	WC001016	Shield, Hub: Round Dust Cap
9	R0410104	Nut, Lock: 3/8"			

Please note that Item No. 15 has changed from previously being 2 x 1" bushings to 2 x 2" bushing

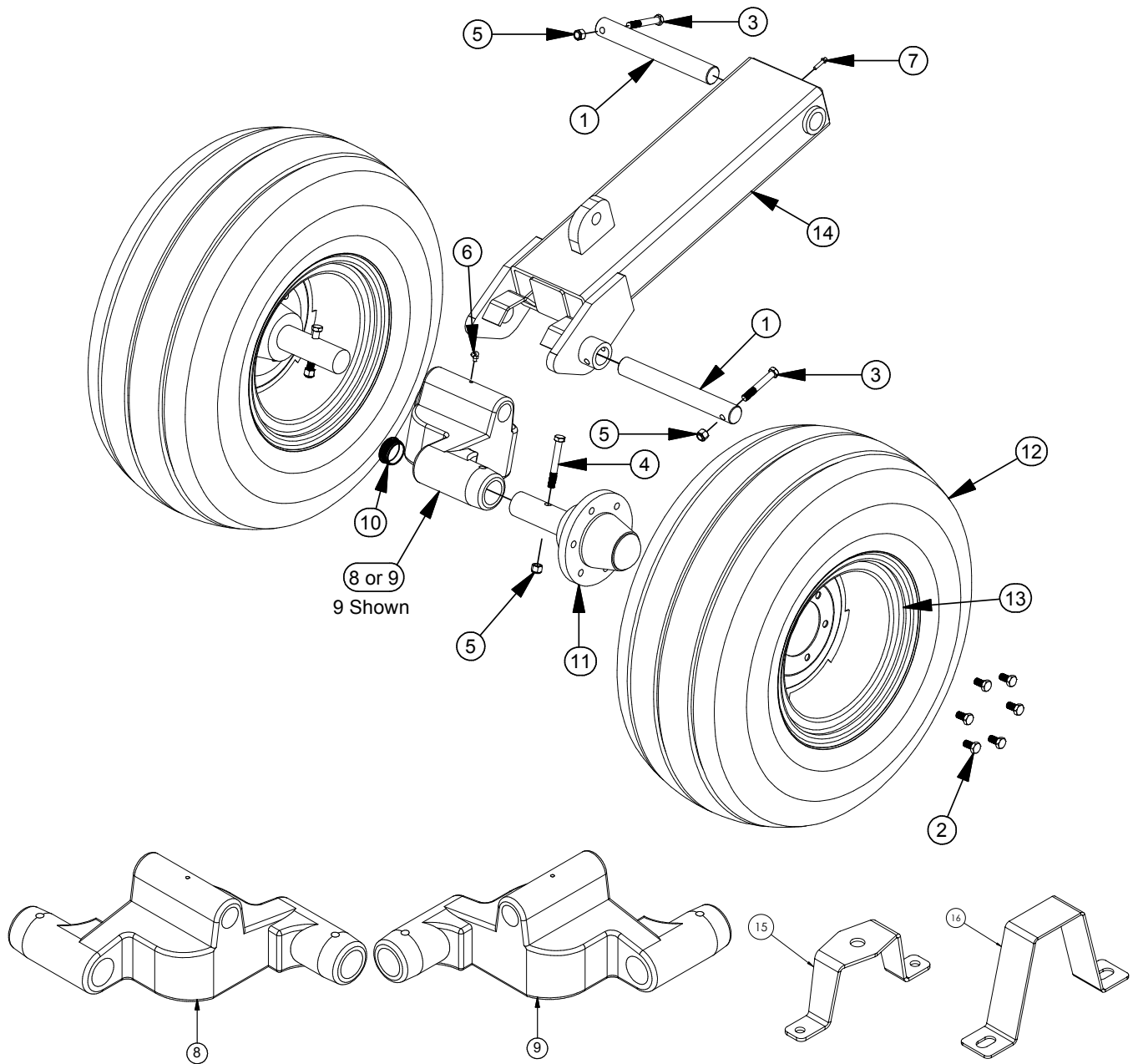
Earlier shank versions may require reaming to accommodate 2" bushings



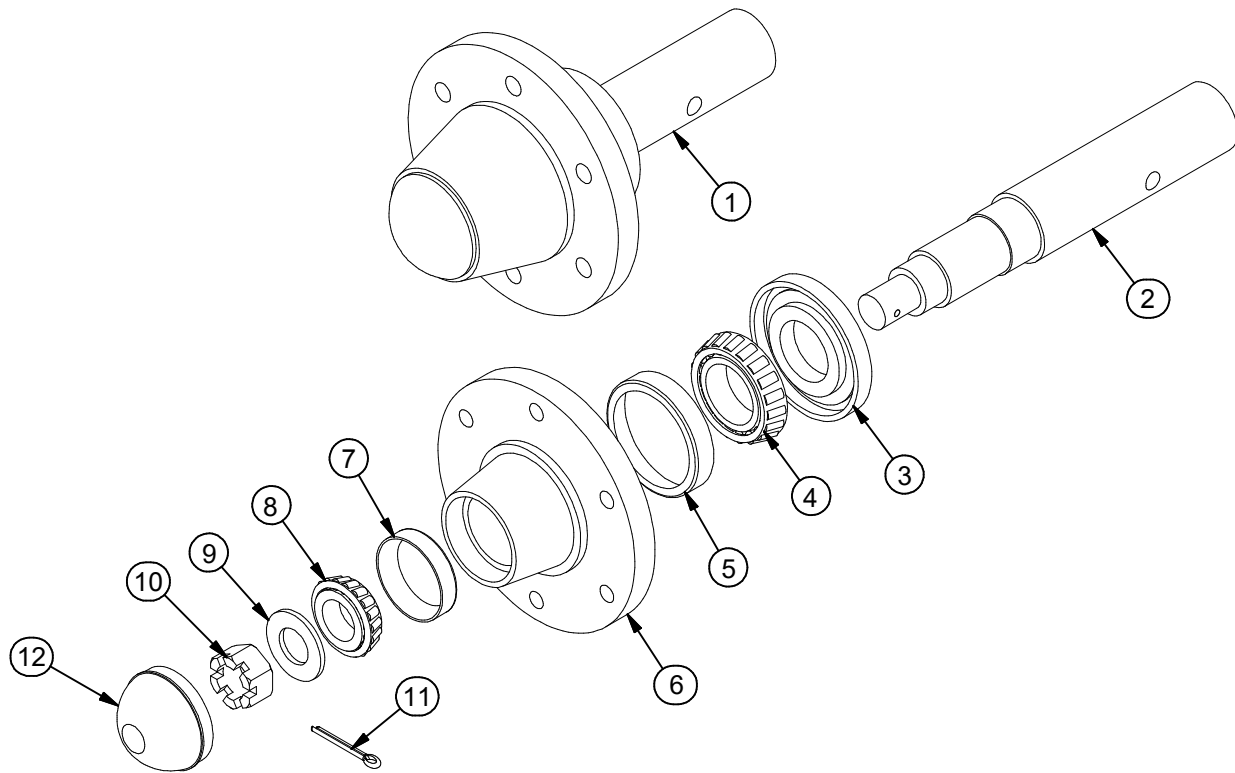
Item	Part #	Description
1 a)	R9915001	Coulter Blade: 20," 13 Wave
1 b)	R9915005	Coulter Blade: 18", 13-Wave
2	R9915002	Coulter Blade: 20", Vortex™ Vortex™ is a registered trademark of CFC Distributors
3 a)	R9915003	Coulter Blade: 20", 8 Wave Notched, Left
3 b)	R9915003-01	Coulter Blade: 20", 8 Wave Notched, Right
4	R9915004	Coulter Blade: 20", Samurai



Item	Part #	Description	Reference #
1	R9903004	Complete Hub/Spindle Assembly: 4-Bolt, Round, New Style (Canada Only)	
2	R9903005	Complete Hub/Spindle Assembly: 4-Bolt, Square, New Style (Canada Only)	
3	n/a	Complete Hub/Spindle Assembly: 4-Bolt, Round, Old Style *See Below*	
4	n/a	Complete Hub/Spindle Assembly: 4-Bolt, Square, Old Style *See Below*	
5	n/a	Spindle, 4-Bolt, Round	
6	n/a	Spindle, 4-Bolt, Square	
7	R1300004	Seal, Grease, Triple Lip, w/Ductile (Fits all variations)	
8	n/a	Bearing, Tapered, 4-Bolt Inner	30209
9	n/a	Race, 4-Bolt Inner	30209
10	n/a	Race, 4-Bolt Outer	30206
11	n/a	Bearing, Tapered, 4-Bolt Outer	30206
12	n/a	Hub, Cast, 4-Bolt	
13	R0590100	Washer, Flat, Hardened: 1"	
14	R0320411	Nut, Castle: 1"	
15	R1618900	Cotter Pin: 3/16" x 2"	
16	R1502505	Zerk, Grease: 6mm x 1.0	
17	R1502506	Plug, Grease: 6mm x 1.0	
18	R9906003	Dust Cap, 4-Bolt	
19	R9906002	Dust Cap, Flat, Threaded, 4-Bolt	
*	KB200002	Rebuild Kit, 4-Bolt (Includes Items 7-11) Fits all variations (Canada Only)	
*	KB200002-10	Rebuild Kit, 4-Bolt (Includes Items 7-11) Fits all variations (USA Only)	
*	KB200002-01	Full Rebuild Kit: 4- Bolt (Includes Items 7-11, 13-15, 18) (Canada Only)	
*	KB200002-11	Full Rebuild Kit: 4- Bolt (Includes Items 7-11, 13-15, 18) (USA Only)	
*	KB200002-02	Full Rebuild Kit: 4- Bolt (Includes Items 7-11, 13-15, 19) (Canada Only)	
*	KB200002-12	Full Rebuild Kit: 4- Bolt (Includes Items 7-11, 13-15, 19) (USA Only)	
<p>**Item No. 3 can be replaced by Item No. 1** **Item No. 4 can be replaced by Item No. 2** **When replacing Item No. 4 with Item No. 2 a new dust cap sheild must be purchased also. See Page. 44**</p>			

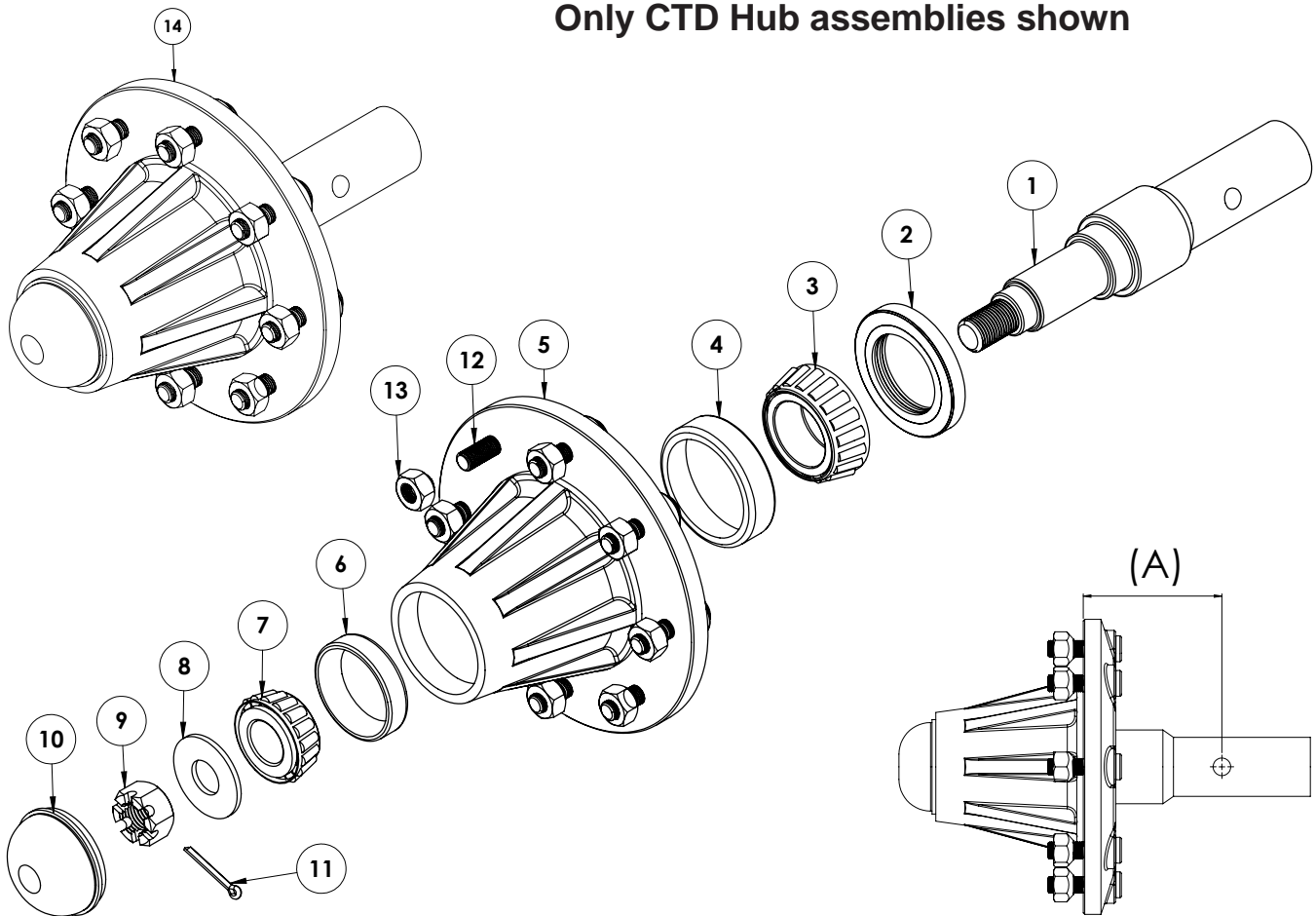


Item	Part #	Description	Item	Part #	Description
1	PR151004	Pin: 1-1/2" x 12"	9	R9901002	Walking Axle, Cast: Left
2	R0150713	Bolt, Lug, Fine: 9/16" x 1-1/4"	10	R9900001	Cap, Plastic: 2"
3	R0130635	Bolt: 1/2" x 3-1/2"	11	n/a	Wheel Hub/Spindle Assembly (See Pg. 49-51)
4	R0130640	Bolt: 1/2" x 4"	12	R9907001	Tire, Flotation: 12.5 L
5	R0410106	Nut, Lock: 1/2"	13	n/a	Wheel (See Pg. 52)
6	R1502503	Zerk, Grease: 1/8" NPT 90°	14	WC001001	Twister Axle Arm: 20 Series
7	R1502509	Zerk, Grease: 1/8" NPT: 1" Ext	15	PP030006	Dust Cap Shield: 6-Bolt Wheel Hub
8	R9901001	Walking Axle, Cast: Right	16	PP030007	Dust Cap Shield: 8-Bolt Wheel Hub



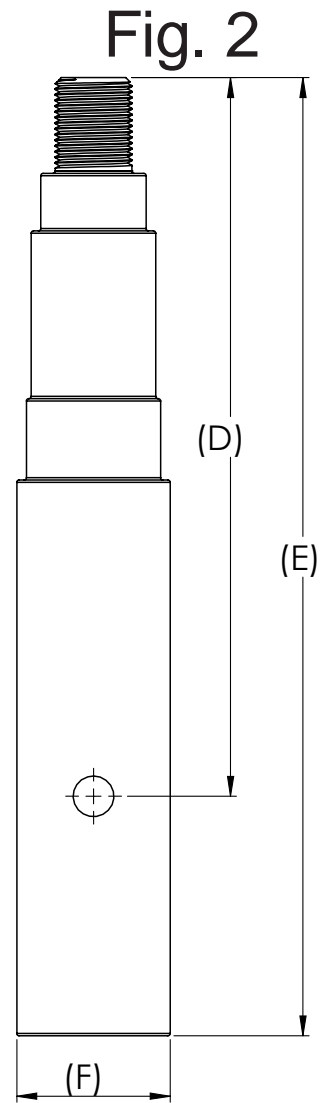
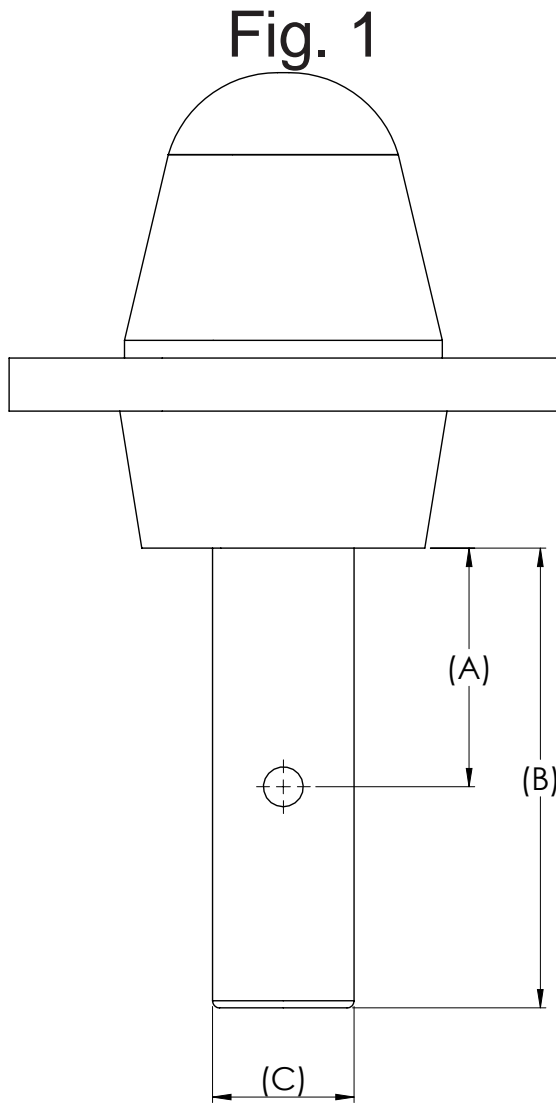
Item	Part #	Description	Reference #
1 a)	R9903001-03	Complete Hub/Spindle Assembly: 6-Bolt, 3-1/4" Seal-Hole	
1 b)	R9903010	Complete Hub/Spindle Assembly: 6-Bolt, Misc. (Order Form Required, Pg. 51)	
2 a)	R9904001	Spindle, 6-Bolt: 3-1/4" Seal-Hole	
2 b)	R9904006	Spindle, 6-Bolt: Misc. (Order Form Required, Pg. 51)	
3 a)	R1320001	Seal, Grease, Single Lip: 6-Bolt	SE30
3 b)	R1320001-02	Seal, Grease: 6-Bolt Labyrinth	
4 a)	R1100013	Bearing, Tapered, 6-Bolt Inner	25580
4 b)	R1100013-01	Bearing, Tapered, 6-Bolt Inner (Premium)	25580
5 a)	R1200003	Race, 6-Bolt Inner	25520
5 b)	R1200003-01	Race, 6-Bolt Inner (Premium)	25520
6	R9905001-01	Hub, Cast: 6-Bolt (Includes Races)	HA618
7 a)	R1200004	Race, 6-Bolt Outer	LM48510
7 b)	R1200004-01	Race, 6-Bolt Outer (Premium)	LM48510
8 a)	R1100012	Bearing, Tapered, 6-Bolt Outer	LM48548
8 b)	R1100012-01	Bearing, Tapered, 6-Bolt Outer (Premium)	LM48548
9	R0510001	Washer, Flat, Hardened: 1"	
10	R1410001	Nut, Castle, Fine: 1"	
11	R1618900	Cotter Pin: 3/16" x 2"	
12	R9906001	Dust Cap: 6-Bolt Hub	DC-15
*	KB100001	Economy (Bronze) Rebuild Kit: 6-Bolt (Includes 3a,4a,5a,7a,8a) (Canada Only)	
*	KB100001-11	Premium (Silver) Rebuild Kit: 6-Bolt (Includes 3b,4b,5b,7b,8b)	
*	KB100001-12	Premium (Gold) Rebuild Kit: 6-Bolt (Includes 3b,4b,5b,7b,8b,9-12)	

Only CTD Hub assemblies shown



Item	Part #	Description	Reference #
1 a)	R9903011	Complete Hub/Spindle Assembly: 8-Bolt, 2" Mchnd Spindle (Ref. A: 5" Face-Hole) 1-1/8"OS	
1 b)	R9903013	Complete Hub/Spindle Assembly: 8-Bolt, 2" Mchnd Spindle (Ref. A: 6" Face-Hole) 1/2"OS	
2	R1300001-02	Seal, Grease: 8-Bolt Hub Labyrinth	
3	R1100018	Bearing, Tapered, 8-Bolt Hub Inner (Premium)	3780
4	R1200006	Race, 8-Bolt Hub Inner (Premium)	3720
5	R9905006	Hub, Cast: 8-Bolt (Includes Races)	
6	R1100017	Bearing, Tapered, 8-Bolt Hub Outer (Premium)	2790
7	R1200005	Race, 8-Bolt Hub Outer (Premium)	2720
8	R0510005	Washer, Flat, Hardened: 1"	
9	R1410001	Nut, Castle, Fine: 1"	
10	R9906004	Dust Cap: 8-Bolt Hub	
11	R1618900	Cotter Pin: 3/16" x 2"	
12	R0150723	Studded Bolt: 9/16" x 2-1/2"	
13	R0350107	Nut, Lug, Fine: 9/16"	
14 a)	R9904007	Spindle: 8-Bolt, 2" machined (Ref. A: 5" Face-Hole) 1-1/8"OS	
14 b)	R9904008	Spindle: 8-Bolt, 2" machined (Ref. A: 6" Face-Hole) 1/2"OS	
*	KB100002-11	Premium Rebuild Kit: 8-Bolt (Includes 2,3,4,6,7) (CTD Hubs Only)	
*	KB100002-12	Premium Rebuild Kit: 8-Bolt (Includes 2-4,6-10) (CTD Hubs Only)	

8-Bolt Upgrade Kits available for 20 Series Twisters, please inquire



Please document in inches all the blanks pertaining to either Fig. 1 or Fig. 2.

A. _____

D. _____

B. _____

E. _____

C. _____

F. _____

G. Manufacturer _____
(Casting Stamp)



Part Number	R9908008
Description	Wheel, 6-Bolt: 15" x 10" w/1/2" offset



Part Number	R9908001
Description	Wheel, 6-Bolt: 15" x 10" w/1-1/8" offset

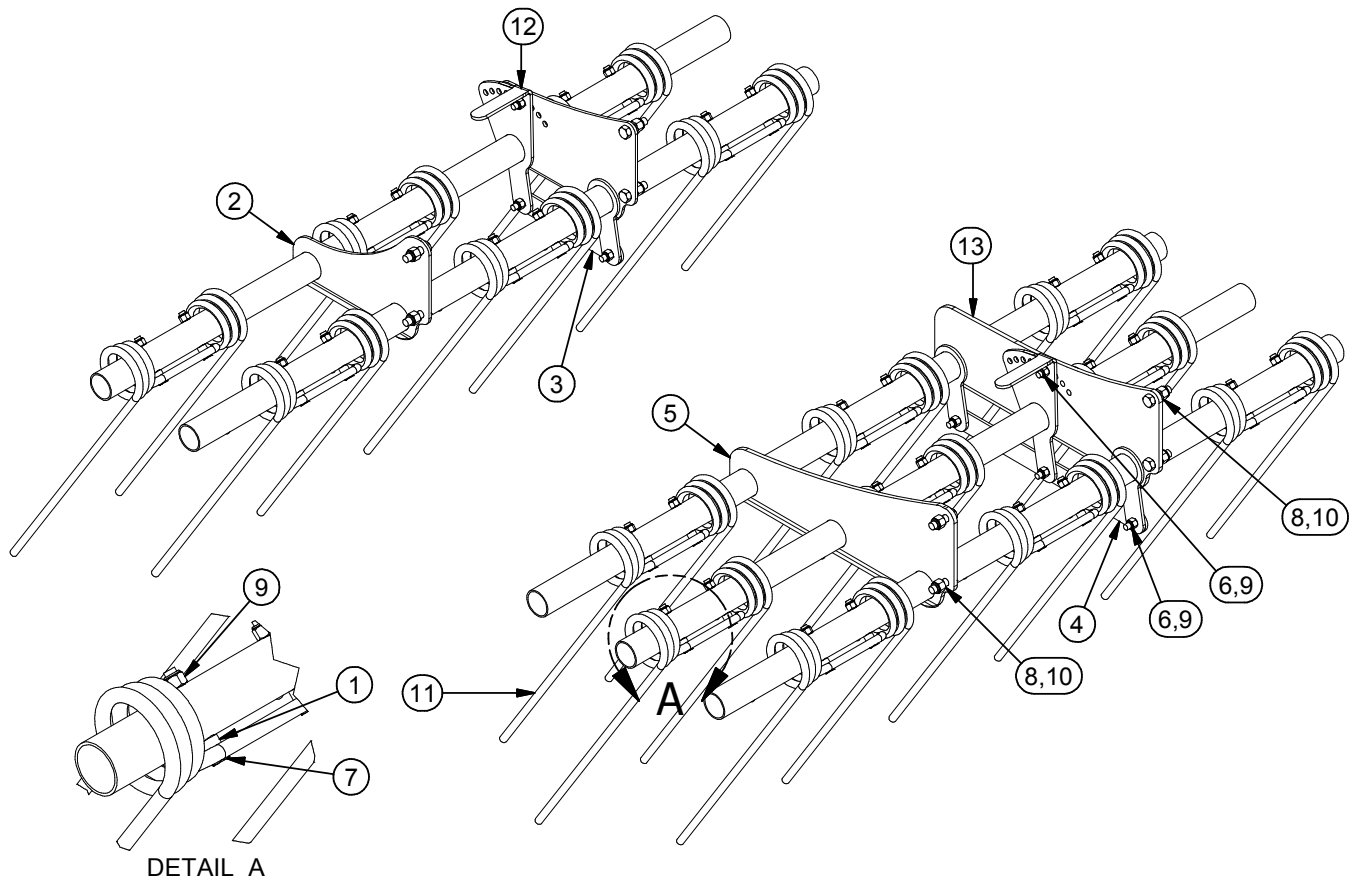


Part Number	R9908006
Description	Wheel, 8-Bolt: 15" x 10" w/1/2" offset

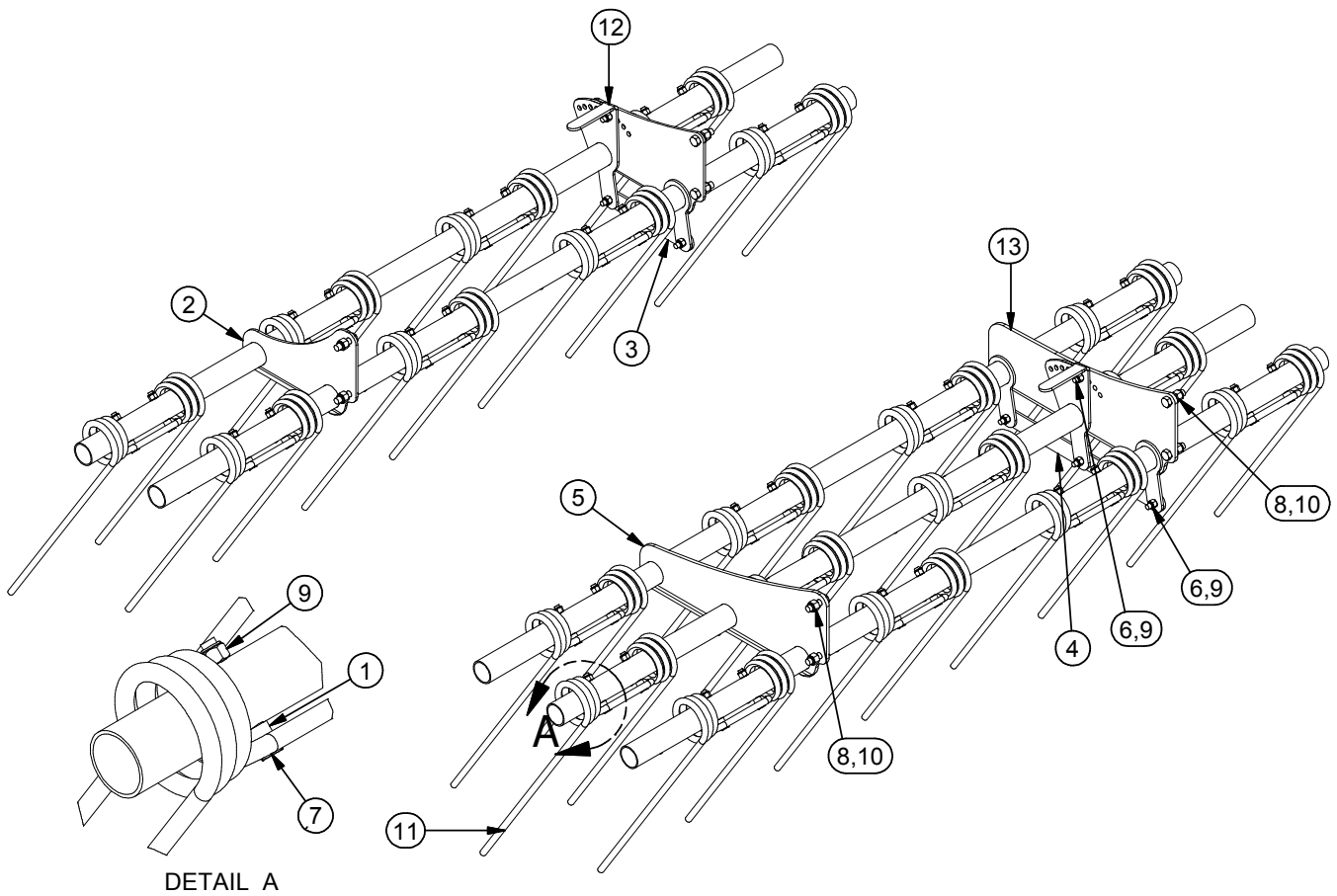


Part Number	R9908009
Description	Wheel, 8-Bolt: 15" x 10" w/1-1/8" offset

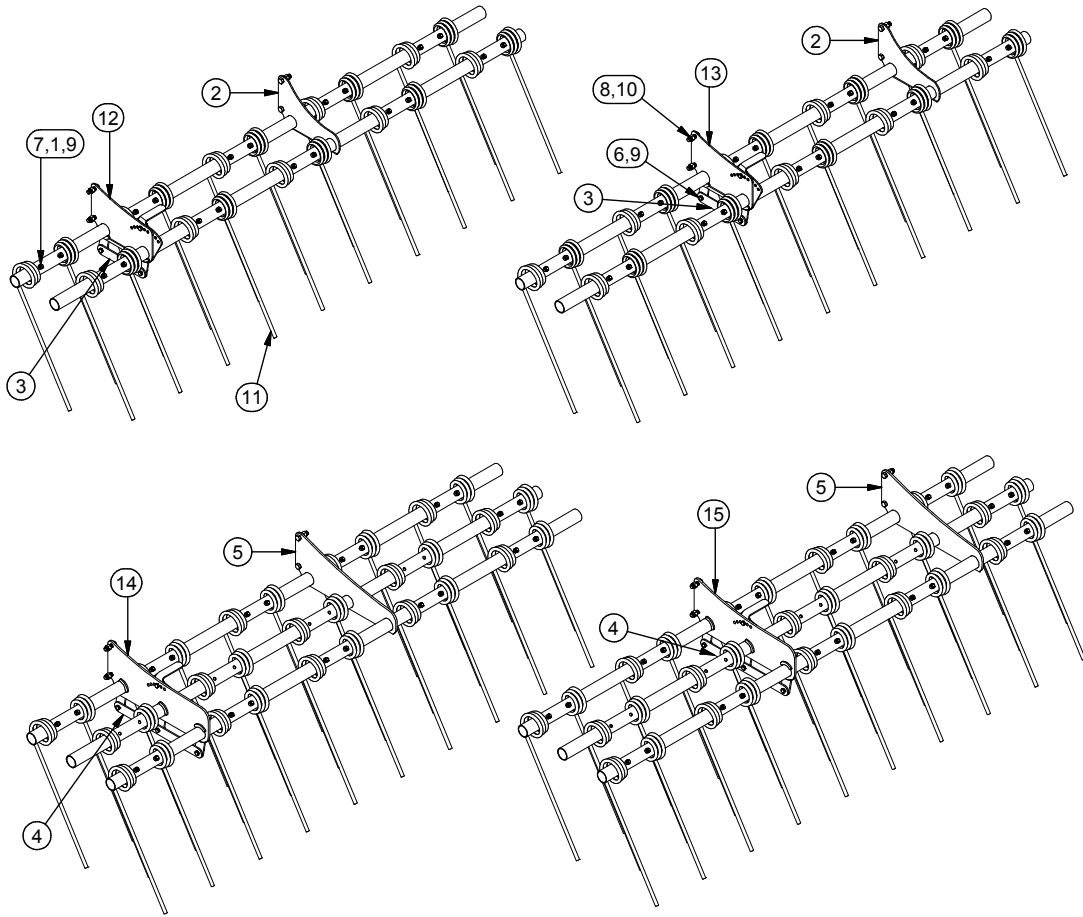
****Please inquire on rims needed for 16' machines and smaller or on any other rims.****



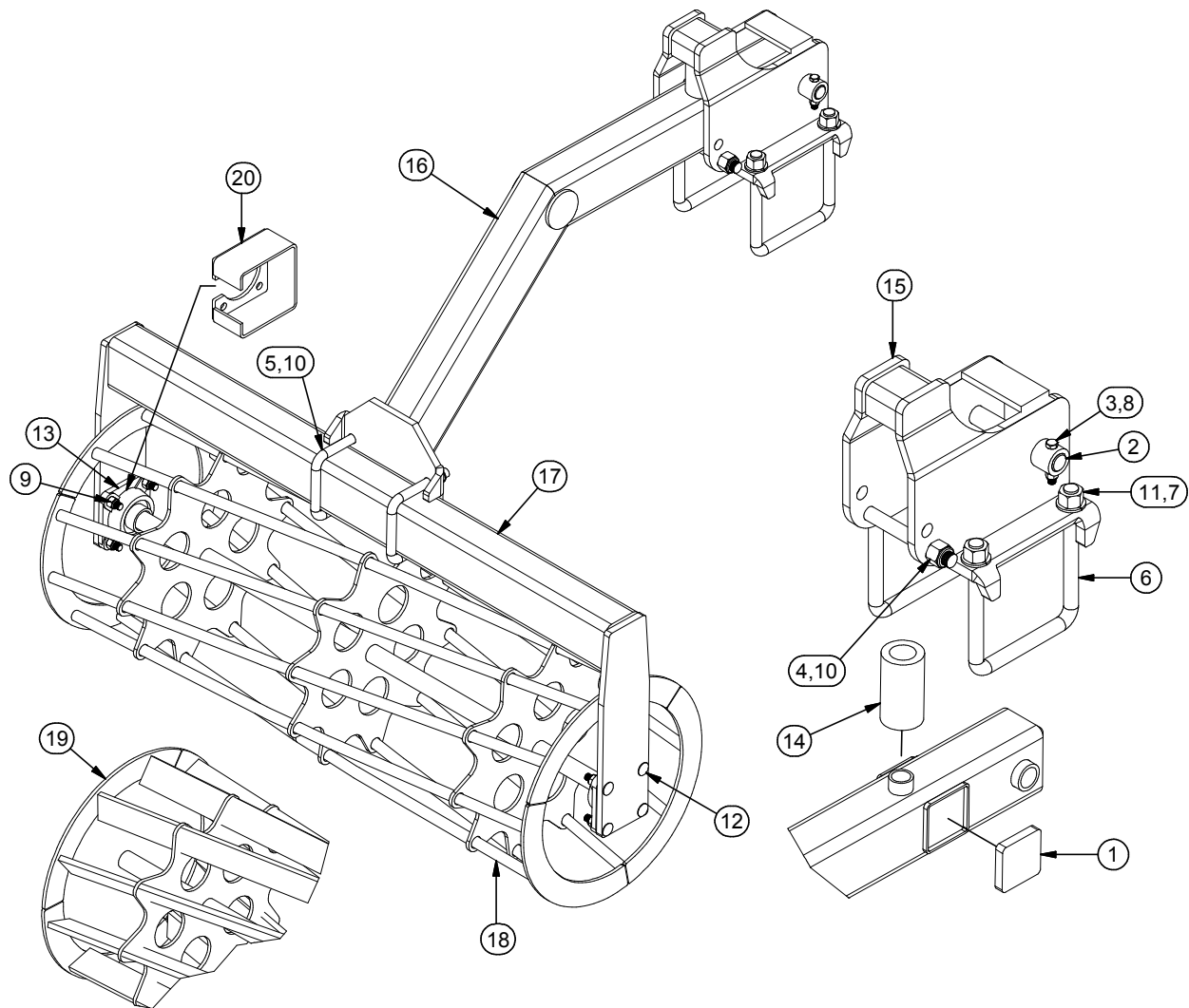
Item	Part #	Description
1	PB081001	Bushing: 3/4" x 3/4"
2	n/a	Plate, Mount, 2-Row Harrow (Inquire)
3	n/a	Bar, Linkage, 2-Row Harrow (Inquire)
4	n/a	Bar, Linkage, 3-Row Harrow (Inquire)
5	n/a	Plate, Mount, 3-Row Harrow (Inquire)
6	R0110615	Bolt: 1/2" x 1-1/2"
7	R0130640	Bolt: 1/2" x 4"
8	R0130820	Bolt: 5/8" x 2"
9	R0410106	Nut, Lock: 1/2"
10	R0410108	Nut, Lock: 5/8"
11	R9930001	Tine: 9/16": 26" x 12" x 26"
12	n/a	Adjust/Mount Component, 2-Row: 6' (Inquire)
13	n/a	Adjust/Mount Component, 3-Row: 6' (Inquire)
*	AC001017	Assembly, Harrow, 2-Row: 6'
*	AC001018	Assembly, Harrow, 3-Row: 6'



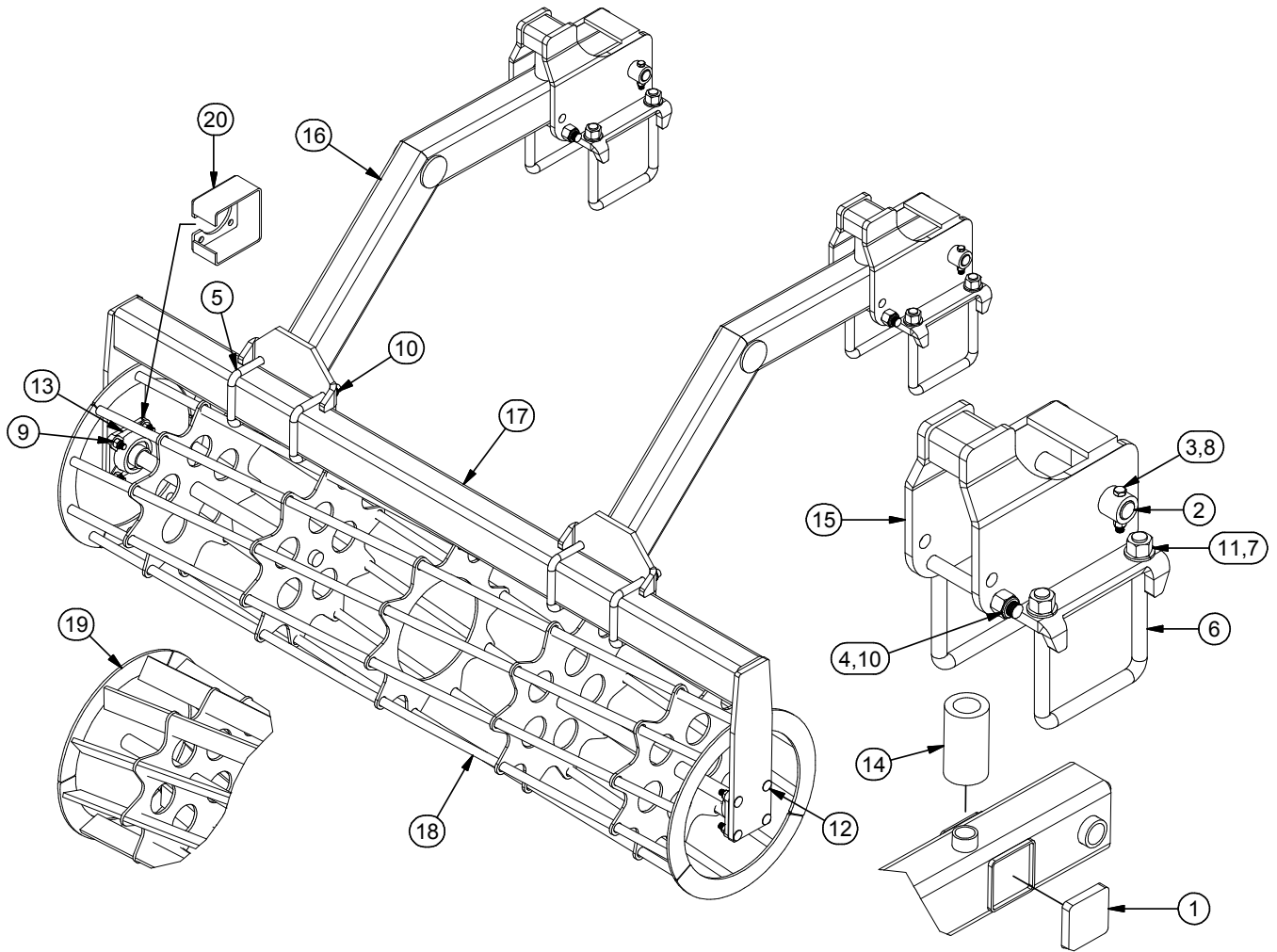
Item	Part #	Description
1	PB081001	Bushing: 3/4" x 3/4"
2	n/a	Plate, Mount, 2-Row Harrow (Inquire)
3	n/a	Bar, Linkage, 2-Row Harrow (Inquire)
4	n/a	Bar, Linkage, 3-Row Harrow (Inquire)
5	n/a	Plate, Mount, 3-Row Harrow (Inquire)
6	R0110615	Bolt: 1/2" x 1-1/2"
7	R0130640	Bolt: 1/2" x 4"
8	R0130820	Bolt: 5/8" x 2"
9	R0410106	Nut, Lock: 1/2"
10	R0410108	Nut, Lock: 5/8"
11	R9930001	Tine: 9/16": 26" x 12" x 26"
12	n/a	Adjust/Mount Component, 2-Row: 8' (Inquire)
13	n/a	Adjust/Mount Component, 3-Row: 8' (Inquire)
*	AC001019	Assembly, Harrow, 2-Row: 8'
*	AC001020	Assembly, Harrow, 3-Row: 8'



Item	Part #	Description
1	PB081001	Bushing: 3/4" x 3/4"
2	n/a	Plate, Mount, 2-Row Harrow (Inquire)
3	n/a	Bar, Linkage, 2-Row Harrow (Inquire)
4	n/a	Bar, Linkage, 3-Row Harrow (Inquire)
5	n/a	Plate, Mount, 3-Row Harrow (Inquire)
6	R0110615	Bolt: 1/2" x 1-1/2"
7	R0130640	Bolt: 1/2" x 4"
8	R0130820	Bolt: 5/8" x 2"
9	R0410106	Nut, Lock: 1/2"
10	R0410108	Nut, Lock: 5/8"
11	R9930001	Tine: 9/16": 26" x 12" x 26"
12	n/a	Adjust/Mount Component, Left, 2-Row: 10' (Inquire)
13	n/a	Adjust/Mount Component, Left, 3-Row: 10' (Inquire)
14	n/a	Adjust/Mount Component, Right, 2-Row: 10' (Inquire)
15	n/a	Adjust/Mount Component, Right, 3-Row: 10' (Inquire)
*	AC001021	Assembly, Harrow, Left, 2-Row: 10'
*	AC001022	Assembly, Harrow, Left, 3-Row: 10'
*	AC001023	Assembly, Harrow, Right, 2-Row: 10'
*	AC001024	Assembly, Harrow, Right, 3-Row: 10'

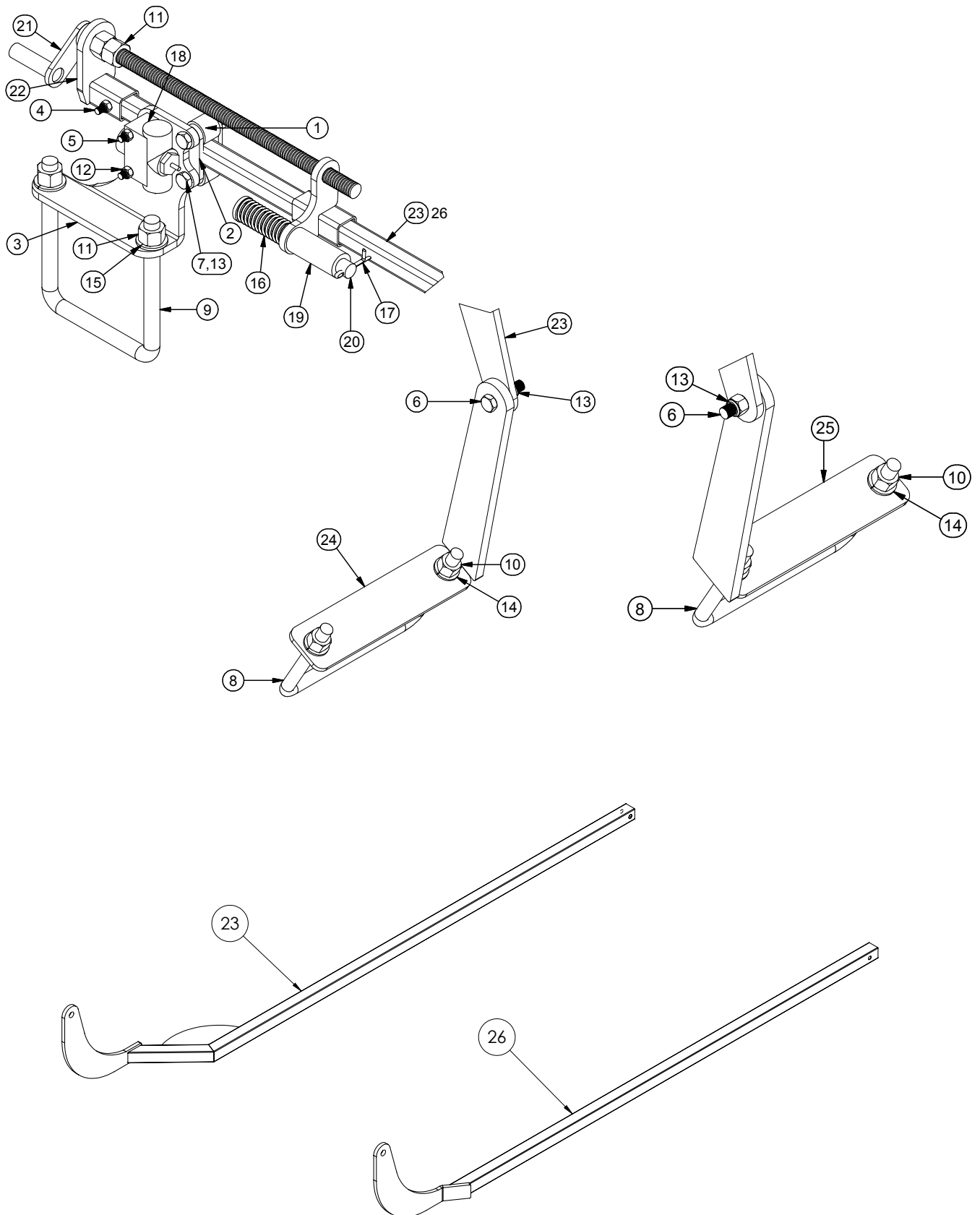


Item	Part #	Description	Item	Part #	Description
1	PM051001	Pad, UHMW	13	R1100014	Bearing, Flange, 4-Bolt: 1-1/4"
2	PR101002	Pin, Rolling Basket: 1"	14	R9911001	Spring, Rubber: Rolling Basket
3	R0110423	Bolt: 3/8" x 2-1/4"	15	WC001027	Bracket, Mount, Rolling Basket
4	R0130965	Bolt, Grd 8: 3/4" x 6-1/2"	16	WC001028	Arm, Rolling Basket
5	R0264482	U-Bolt: 5/8", 4-1/2" x 4" x 4-1/2"	17	WC001029	Cradle, Basket, Rolling: 4'
6	R0239678	U-Bolt: 3/4", 7-1/2" x 6" x 7-3/4"	18	WC001031	Basket, Rolling, Round Bar: 4'*
7	R0310109	Nut: 3/4"	19	WC001032	Basket, Rolling, Flat Bar: 4'*
8	R0410104	Nut, Lock: 3/8"	20	WC001050	Shield, Bearing, Rolling Basket
9	R0410105	Nut, Lock: 7/16"	*	AC001009	Cradle Basket Assembly, Round Bar: 4'
10	R0410109	Nut, Lock: 5/8"	*	AC001010	Cradle Basket Assembly, Flat Bar: 4'
11	R0610009	Washer, Lock: 3/4"	*	AC001013	Complete Basket Assembly, Round Bar: 4'
12	R0730518	Bolt, Carriage: 7/16" x 1-3/4"	*	AC001014	Complete Basket Assembly, Flat Bar: 4'



Item	Part #	Description	Item	Part #	Description
1	PM051001	Pad, UHMW	13	R1100014	Bearing, Flange, 4-Bolt: 1-1/4"
2	PR101002	Pin, Rolling Basket: 1"	14	R9911001	Spring, Rubber: Rolling Basket
3	R0110423	Bolt: 3/8" x 2-1/4"	15	WC001027	Bracket, Mount, Rolling Basket
4	R0130965	Bolt, Grd 8: 3/4" x 6-1/2"	16	WC001028	Arm, Rolling Basket
5	R0264482	U-Bolt: 5/8", 4-1/2" x 4" x 4-1/2"	17	WC001030	Cradle, Basket, Rolling: 6'
6	R0239678	U-Bolt: 3/4", 7-1/2" x 6" x 7-3/4"	18	WC001033	Basket, Rolling, Round Bar: 6'
7	R0310109	Nut: 3/4"	19	WC001034	Basket, Rolling, Flat Bar: 6'
8	R0410104	Nut, Lock: 3/8"	20	WC001050	Shield, Bearing, Rolling Basket
9	R0410105	Nut, Lock: 7/16"	*	AC001011	Cradle Basket Assembly, Round Bar: 6'
10	R0410109	Nut, Lock: 5/8"	*	AC001012	Cradle Basket Assembly, Flat Bar: 6'
11	R0610009	Washer, Lock: 3/4"	*	AC001015	Complete Basket Assembly, Round Bar: 6'
12	R0730518	Bolt, Carriage: 7/16" x 1-3/4"	*	AC001016	Complete Basket Assembly, Flat Bar: 6'

Earlier version basket arms may require reaming to accommodate for 2" bushings

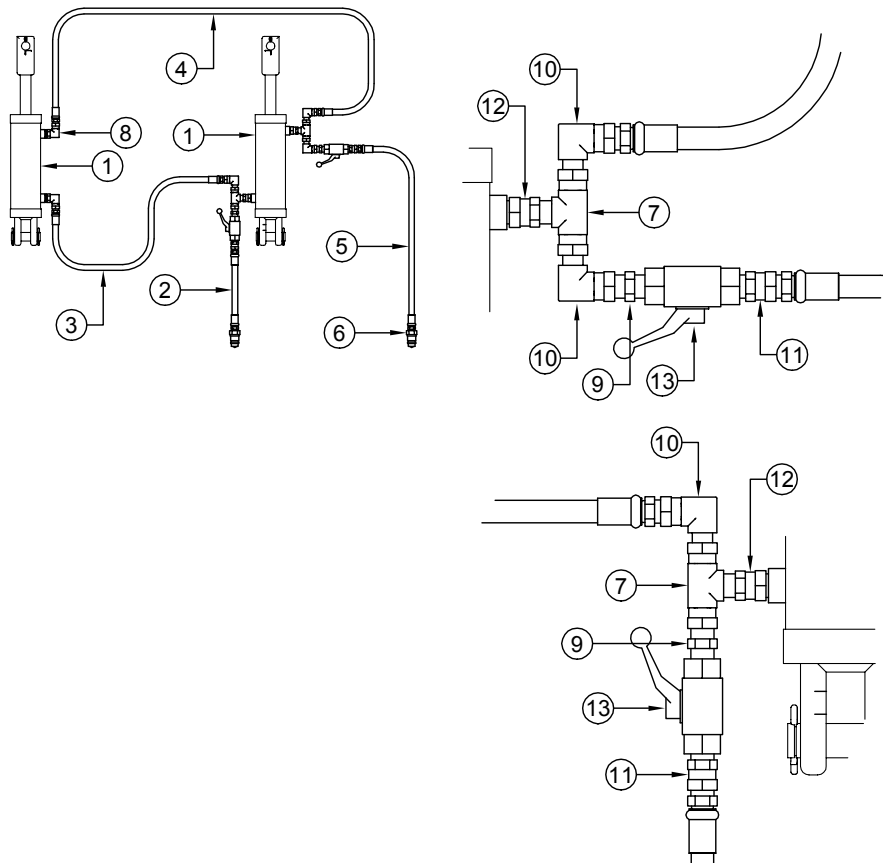


Item	Part #	Description
1	n/a	Bushing, Depth Control Guide (Inquire)
2	n/a	Plate, Depth Ctrl Guide Bushing (Inquire)
3	n/a	Bracket, Depth Control Valve (Inquire)
4	R0110320	Bolt: 5/16" x 2"
5	R0110325	Bolt: 5/16" x 2-1/2"
6	R0110620	Bolt: 1/2" x 2"
7	R0110630	Bolt: 1/2" x 3"
8	R0238850	U-Bolt: 5/8" (5-1/2" x 8" x 5-1/2")
9	R0239678	U-Bolt: 3/4" (7-1/2" x 6" x 7-3/4")
10	R0310108	Nut: 5/8"
11	R0310109	Nut: 3/4"
12	R0410103	Nut, Lock: 5/16"
13	R0410106	Nut, Lock: 1/2"
14	R0610008	Washer, Lock: 5/8"
15	R0610009	Washer, Lock: 3/4"
16	R0912001	Spring, Depth Control
17	R1618900	Pin, Cotter: 3/16" x 2"
18	R1803001	Valve: Depth Control
19	n/a	Depth Control Bracket, Sliding Plunger (Inquire)
20	n/a	Depth Control Plunger (Inquire)
21	n/a	Depth Control Adjust Handle (Inquire)
22	n/a	Depth Control End Bracket (Inquire)
23	n/a	Depth Control Linkage Arm: Offset Right (See Table: B) (Inquire)
24	n/a	Depth Control Axle Bracket: Right (Inquire)
25	n/a	Depth Control Axle Bracket: Left (Inquire)
26	n/a	Depth Control Linkage Arm: Straight (See Table: B) (Inquire)

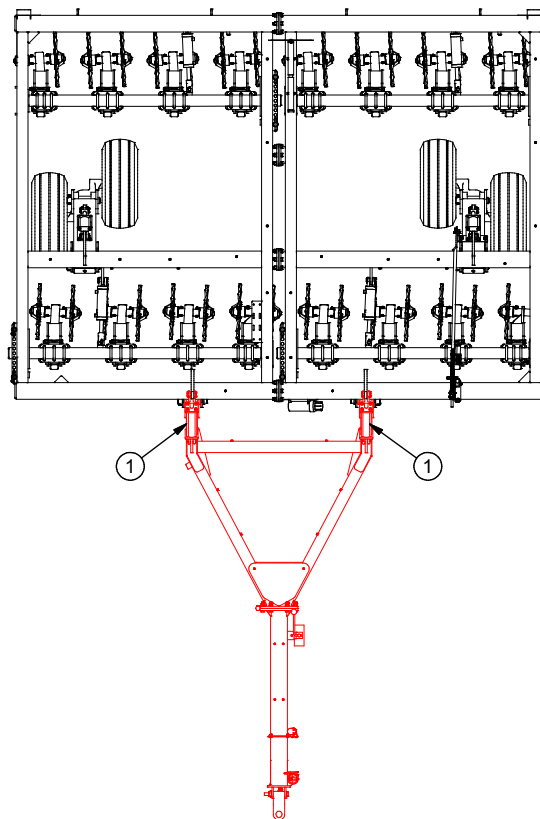
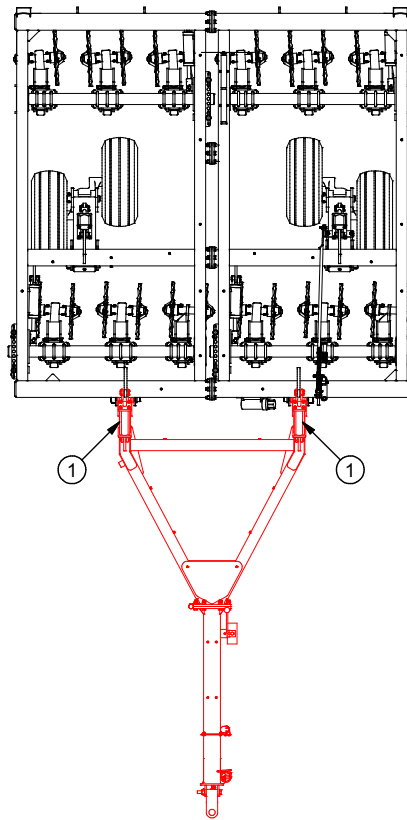
Unit Size	Description
12'	Depth Control Axle Bracket: Right
16'	Depth Control Axle Bracket: Right
20'	Depth Control Axle Bracket: Left
24'	Depth Control Axle Bracket: Right
28'	Depth Control Axle Bracket: Right
32'	Depth Control Axle Bracket: Left
36'	Depth Control Axle Bracket: Left
40'	Depth Control Axle Bracket: Left

Unit Size	Description
12'	Depth Control Linkage Arm: Straight
16'	Depth Control Linkage Arm: Straight
20'	Depth Control Linkage Arm: Straight
24'	Depth Control Linkage Arm: Straight
28'	Depth Control Linkage Arm: Straight
32'	Depth Control Linkage Arm: Offset Right
36'	Depth Control Linkage Arm: Offset Right
40'	Depth Control Linkage Arm: Offset Right

Item	Part #	Description	Seal Kit #
1	R1930801	Cylinder, Tie-Rod: 3" x 8" (662399)	KR100020
2	n/a	Hydraulic Hose: 3/8" x 228"	
3	n/a	Hydraulic Hose: 3/8" x 69"	
4	n/a	Hydraulic Hose: 3/8" x 84"	
5	n/a </td <td>Hydraulic Hose: 3/8" x 240"</td> <td></td>	Hydraulic Hose: 3/8" x 240"	
6	R1802046	Tip, Quick Connect: #8 FPT	
7	R1802052	Tee: #6 FPTX - #6 MPT - #6 FPTX	
8	R1802004	Elbow, 90°: #8 MORB - #6 FPTX	
9	R1802047	Straight: #6 MPT - #6 MPT	
10	R1802050	Elbow, 90°: #6 FPTX - #6 MPT	
11	R1802048	Straight: #6 MPT - #6 FPTX	
12	R1802005	Straight: #8 MORB - #6 FPTX	
13	R1802055	Ball Valve: #6 FPT - #6 FPT	



12' TWISTER

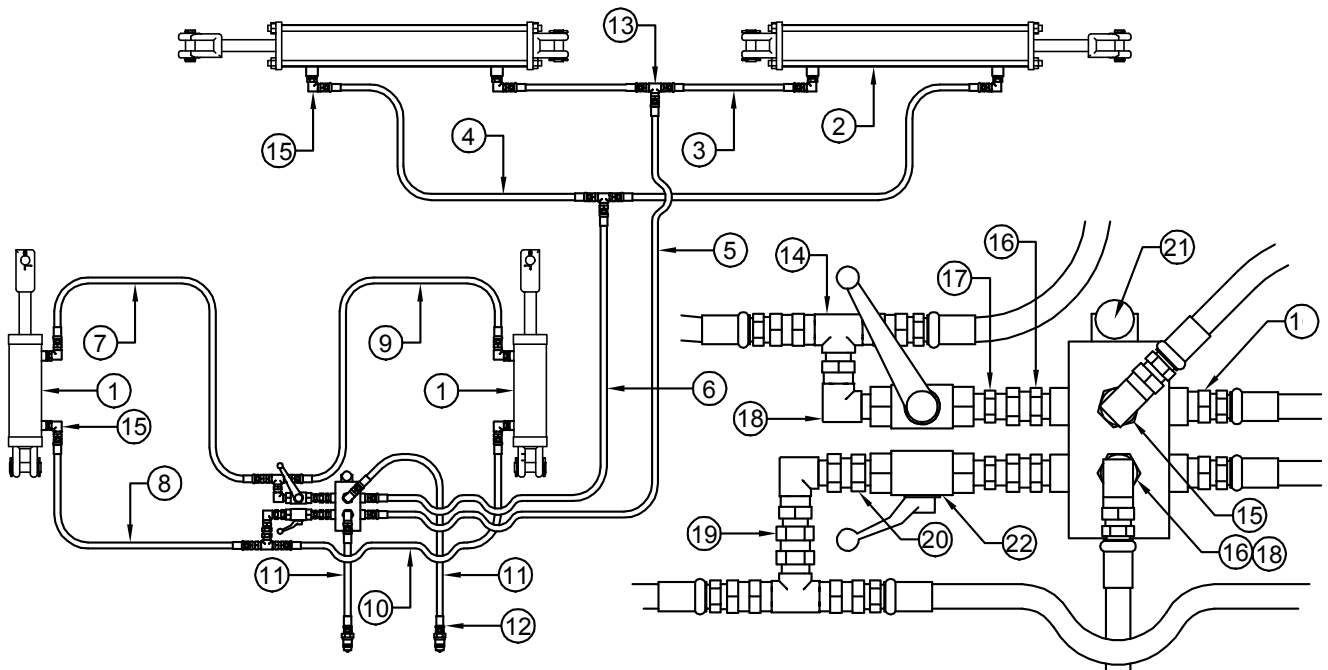
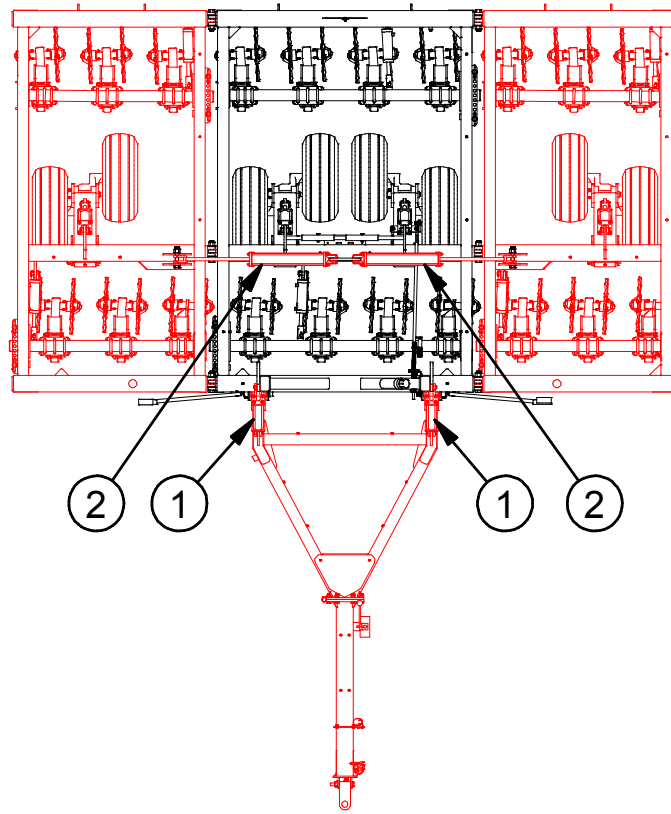


16' TWISTER

20' TWISTER

Item	Part #	Description	Seal Kit #
1	R1930801	Cylinder, Tie-Rod: 3" x 8" (662399)	KR100020
2	R1942401	Cylinder, Tie-Rod: 4" x 24" (662430)	KR100000
3	n/a	Hydraulic Hose: 3/8" x 12"	
4	n/a	Hydraulic Hose: 3/8" x 30"	
5	n/a	Hydraulic Hose: 3/8" x 126"	
6	n/a	Hydraulic Hose: 3/8" x 89"	
7	n/a	Hydraulic Hose: 3/8" x 50"	
8	n/a	Hydraulic Hose: 3/8" x 39"	
9	n/a	Hydraulic Hose: 3/8" x 32"	
10	n/a	Hydraulic Hose: 3/8" x 21"	
11	n/a	Hydraulic Hose: 3/8" x 216"	
12	R1802046	Tip, Quick Connect: #8 FPT	
13	R1802053	Tee: #6 FPTX - #6 FPTX - #6 FPTX	
14	R1802052	Tee: #6 FPTX - #6 MPT - #6 FPTX	
15	R1802004	Elbow 90°: #8 MORB - #6 FPTX	
16	R1802005	Straight: #8 MORB - #6 FPTX	
17	R1802047	Straight: #6 MPT - #6 MPT	
18	R1802050	Elbow 90°: #6 FPTX - #6 MPT	
19	R1802036	Straight, Restrictor: #6 FPTX - #6 MPT	
20	R1802048	Straight: #6 FPTX - #6 MPT	
21	R1803003	Selector Valve: Manual	
22	R1802055	Ball Valve: #6 FPT - #6 FPT	

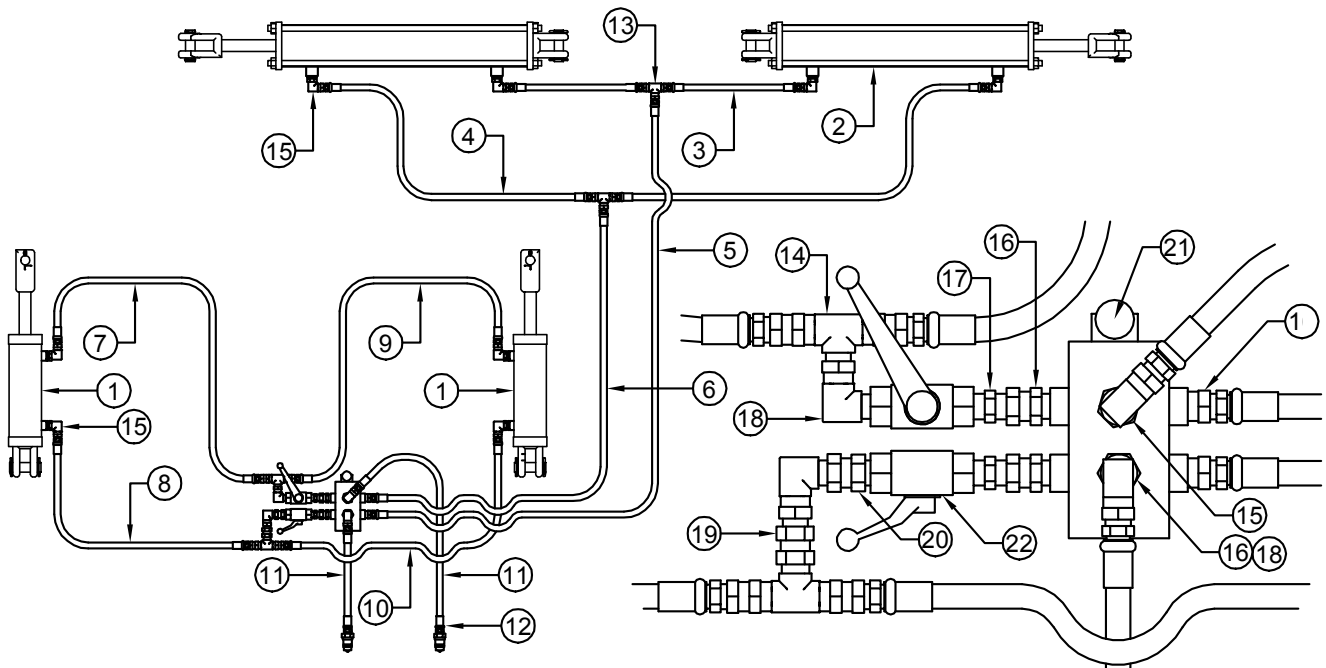
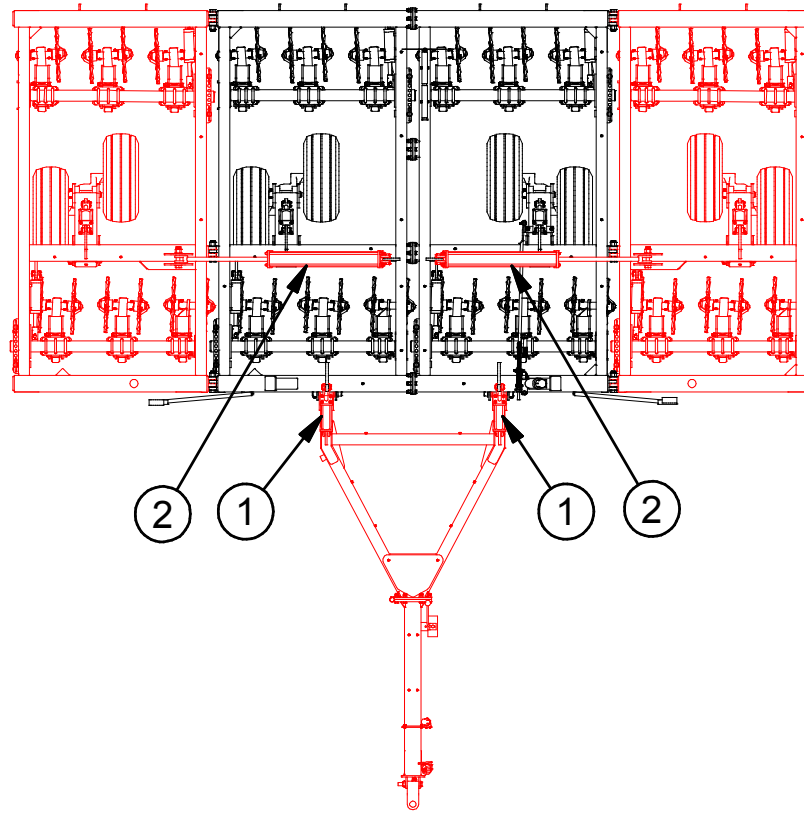
20' TWISTER



24' TWISTER

Item	Part #	Description	Seal Kit #
1	R1930801	Cylinder, Tie-Rod: 3" x 8" (662399)	KR100020
2	R1943601	Cylinder, Tie-Rod: 4" x 36" (670349)	KR100027
3	n/a	Hydraulic Hose: 3/8" x 16"	
4	n/a	Hydraulic Hose: 3/8" x 54"	
5	n/a	Hydraulic Hose: 3/8" x 91"	
6	n/a	Hydraulic Hose: 3/8" x 89"	
7	n/a	Hydraulic Hose: 3/8" x 50"	
8	n/a	Hydraulic Hose: 3/8" x 39"	
9	n/a	Hydraulic Hose: 3/8" x 32"	
10	n/a	Hydraulic Hose: 3/8" x 21"	
11	n/a	Hydraulic Hose: 3/8" x 216"	
12	R1802046	Tip, Quick Connect: #8 FPT	
13	R1802053	Tee: #6 FPTX - #6 FPTX - #6 FPTX	
14	R1802052	Tee: #6 FPTX - #6 MPT - #6 FPTX	
15	R1802004	Elbow 90°: #8 MORB - #6 FPTX	
16	R1802005	Straight: #8 MORB - #6 FPTX	
17	R1802047	Straight: #6 MPT - #6 MPT	
18	R1802050	Elbow 90°: #6 FPTX - #6 MPT	
19	R1802036	Straight, Restrictor: #6 FPTX - #6 MPT	
20	R1802048	Straight: #6 FPTX - #6 MPT	
21	R1803003	Selector Valve: Manual	
22	R1802055	Ball Valve: #6 FPT - #6 FPT	

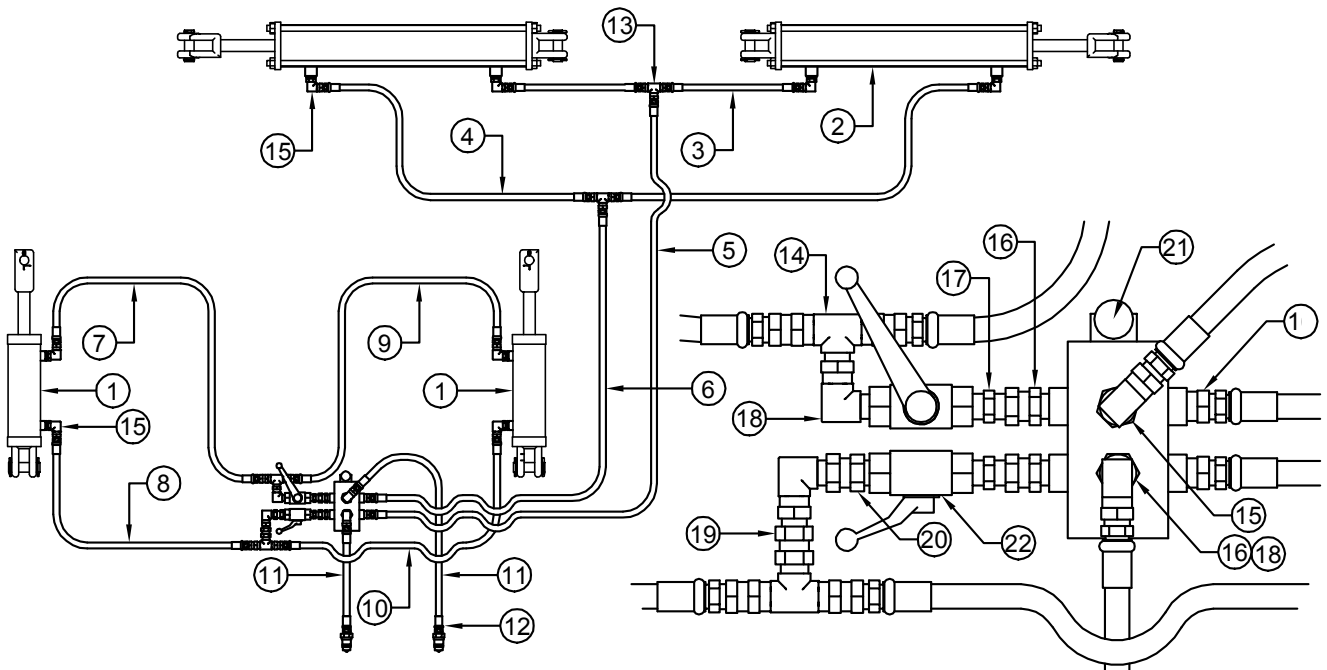
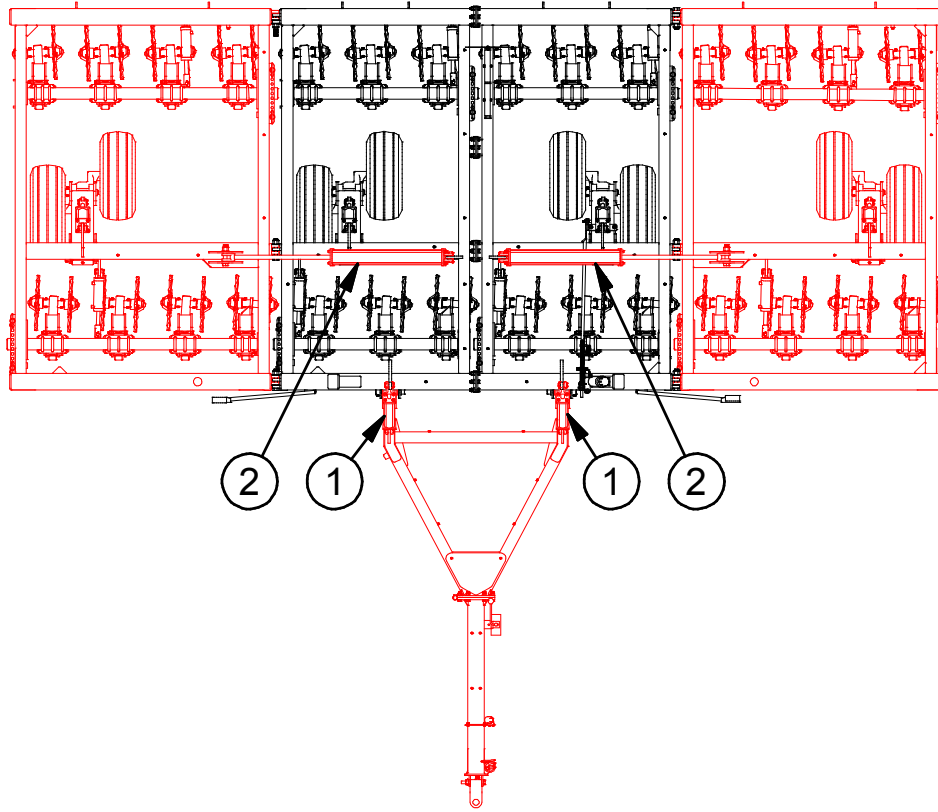
24' TWISTER



28' TWISTER

Item	Part #	Description	Seal Kit #
1	R1930801	Cylinder, Tie-Rod: 3" x 8" (662399)	KR100020
2	R1953601	Cylinder, Tie-Rod: 5" x 36" (662444)	KR100007
3	n/a	Hydraulic Hose: 3/8" x 16"	
4	n/a	Hydraulic Hose: 3/8" x 54"	
5	n/a	Hydraulic Hose: 3/8" x 91"	
6	n/a	Hydraulic Hose: 3/8" x 89"	
7	n/a	Hydraulic Hose: 3/8" x 50"	
8	n/a	Hydraulic Hose: 3/8" x 39"	
9	n/a	Hydraulic Hose: 3/8" x 32"	
10	n/a	Hydraulic Hose: 3/8" x 21"	
11	n/a	Hydraulic Hose: 3/8" x 216"	
12	R1802046	Tip, Quick Connect: #8 FPT	
13	R1802053	Tee: #6 FPTX - #6 FPTX - #6 FPTX	
14	R1802052	Tee: #6 FPTX - #6 MPT - #6 FPTX	
15	R1802004	Elbow 90°: #8 MORB - #6 FPTX	
16	R1802005	Straight: #8 MORB - #6 FPTX	
17	R1802047	Straight: #6 MPT - #6 MPT	
18	R1802050	Elbow 90°: #6 FPTX - #6 MPT	
19	R1802036	Straight, Restrictor: #6 FPTX - #6 MPT	
20	R1802048	Straight: #6 FPTX - #6 MPT	
21	R1803003	Selector Valve: Manual	
22	R1802055	Ball Valve: #6 FPT - #6 FPT	

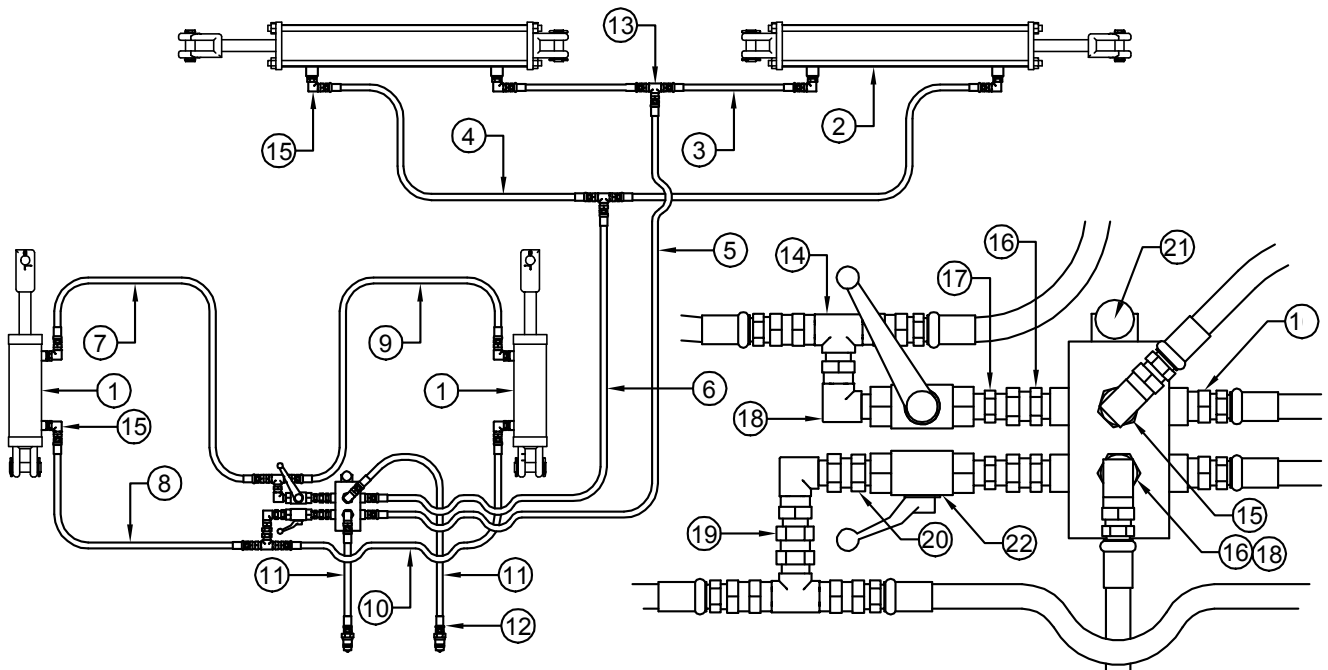
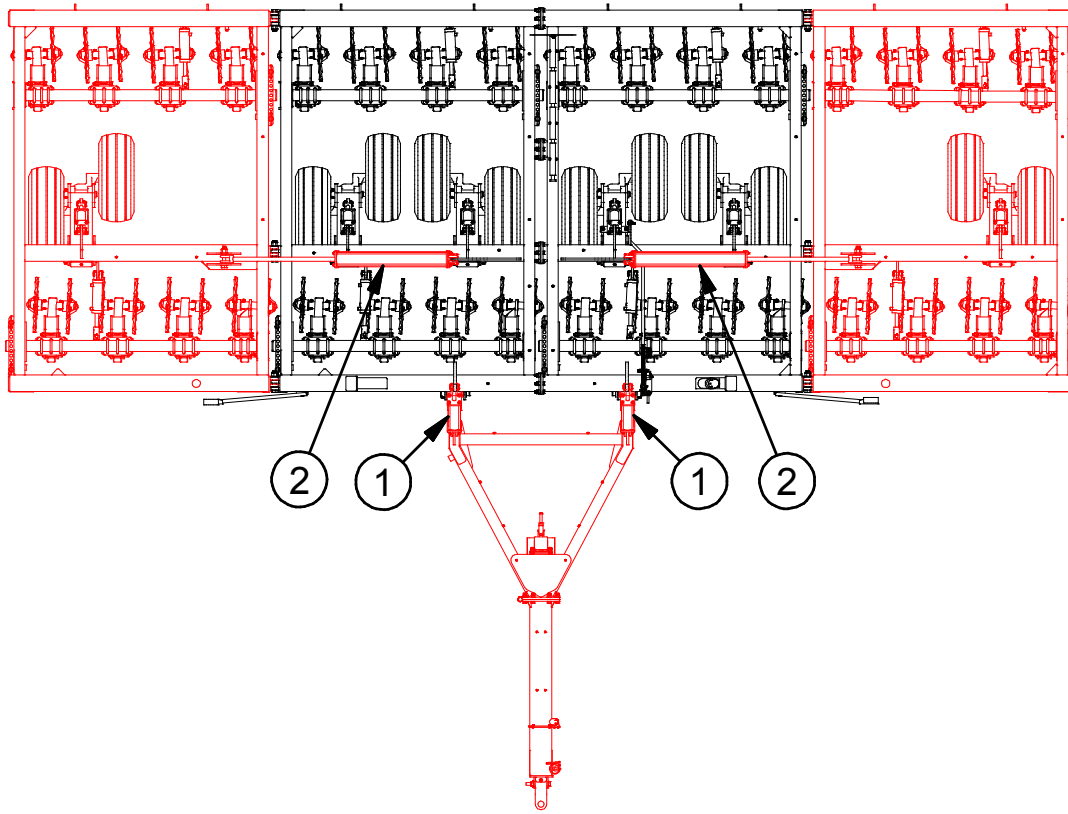
28' TWISTER



32' TWISTER

Item	Part #	Description	Seal Kit #
1	R1940801	Cylinder, Tie-Rod: 4" x 8" (662423)	KR100000
2	R1953601	Cylinder, Tie-Rod: 5" x 36" (662444)	KR100007
3	n/a	Hydraulic Hose: 3/8" x 36"	
4	n/a	Hydraulic Hose: 3/8" x 76"	
5	n/a	Hydraulic Hose: 3/8" x 91"	
6	n/a	Hydraulic Hose: 3/8" x 89"	
7	n/a	Hydraulic Hose: 3/8" x 50"	
8	n/a	Hydraulic Hose: 3/8" x 39"	
9	n/a	Hydraulic Hose: 3/8" x 32"	
10	n/a	Hydraulic Hose: 3/8" x 21"	
11	n/a	Hydraulic Hose: 3/8" x 216"	
12	R1802046	Tip, Quick Connect: #8 FPT	
13	R1802053	Tee: #6 FPTX - #6 FPTX - #6 FPTX	
14	R1802052	Tee: #6 FPTX - #6 MPT - #6 FPTX	
15	R1802004	Elbow 90°: #8 MORB - #6 FPTX	
16	R1802005	Straight: #8 MORB - #6 FPTX	
17	R1802047	Straight: #6 MPT - #6 MPT	
18	R1802050	Elbow 90°: #6 FPTX - #6 MPT	
19	R1802036	Straight, Restrictor: #6 FPTX - #6 MPT	
20	R1802048	Straight: #6 FPTX - #6 MPT	
21	R1803003	Selector Valve: Manual	
22	R1802055	Ball Valve: #6 FPT - #6 FPT	

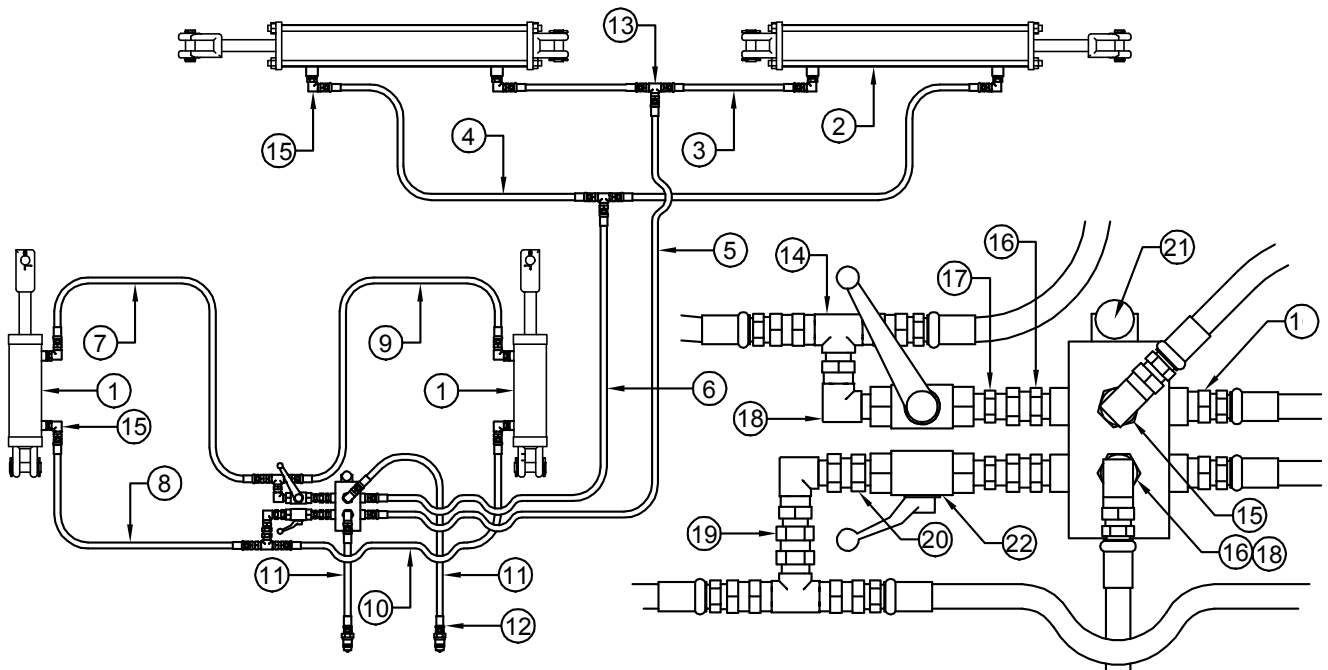
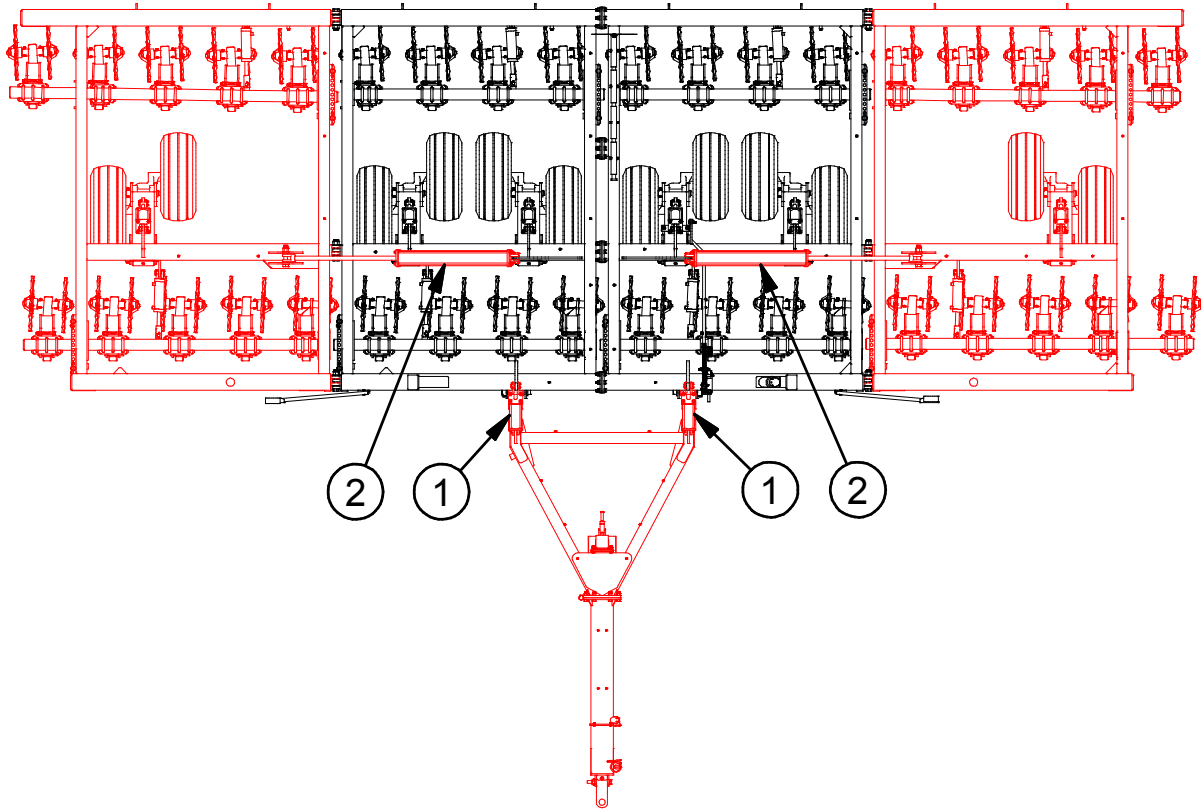
32' TWISTER



36' TWISTER

Item	Part #	Description	Seal Kit #
1	R1940801	Cylinder, Tie-Rod: 4" x 8" (662423)	KR100000
2	R1953601	Cylinder, Tie-Rod: 5" x 36" (662444)	KR100007
3	n/a	Hydraulic Hose: 3/8" x 36"	
4	n/a	Hydraulic Hose: 3/8" x 76"	
5	n/a	Hydraulic Hose: 3/8" x 91"	
6	n/a	Hydraulic Hose: 3/8" x 89"	
7	n/a	Hydraulic Hose: 3/8" x 50"	
8	n/a	Hydraulic Hose: 3/8" x 39"	
9	n/a	Hydraulic Hose: 3/8" x 32"	
10	n/a	Hydraulic Hose: 3/8" x 21"	
11	n/a	Hydraulic Hose: 3/8" x 216"	
12	R1802046	Tip, Quick Connect: #8 FPT	
13	R1802053	Tee: #6 FPTX - #6 FPTX - #6 FPTX	
14	R1802052	Tee: #6 FPTX - #6 MPT - #6 FPTX	
15	R1802004	Elbow 90°: #8 MORB - #6 FPTX	
16	R1802005	Straight: #8 MORB - #6 FPTX	
17	R1802047	Straight: #6 MPT - #6 MPT	
18	R1802050	Elbow 90°: #6 FPTX - #6 MPT	
19	R1802036	Straight, Restrictor: #6 FPTX - #6 MPT	
20	R1802048	Straight: #6 FPTX - #6 MPT	
21	R1803003	Selector Valve: Manual	
22	R1802055	Ball Valve: #6 FPT - #6 FPT	

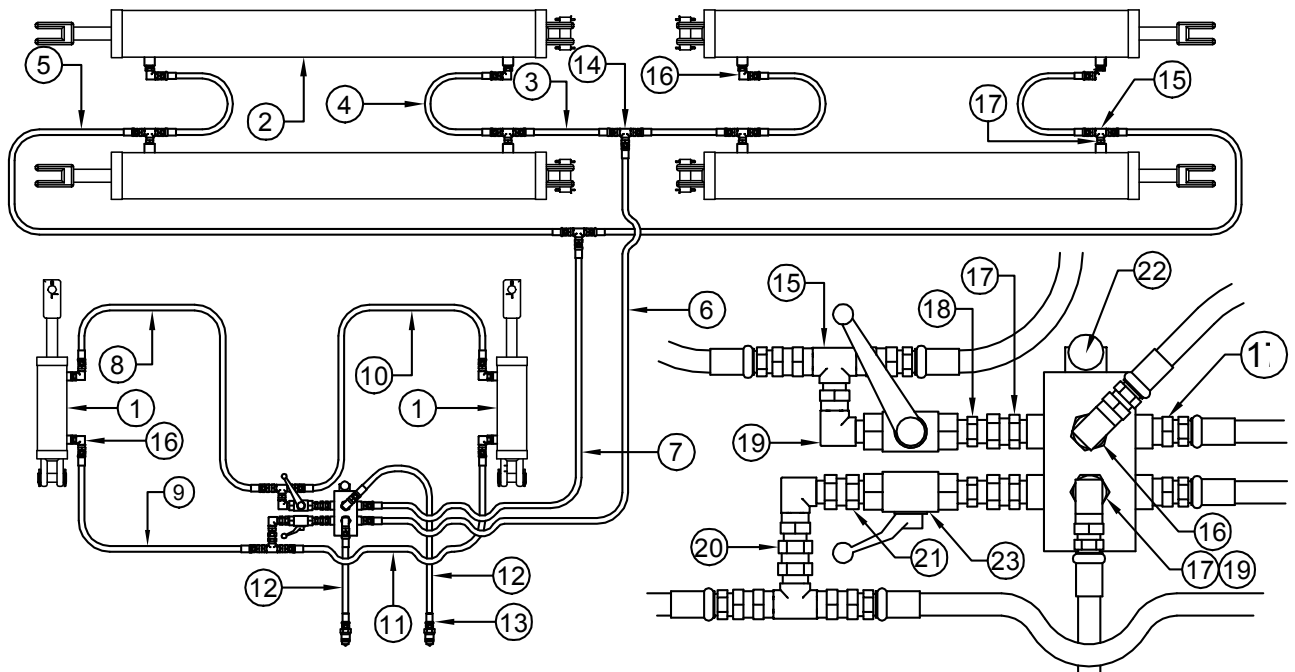
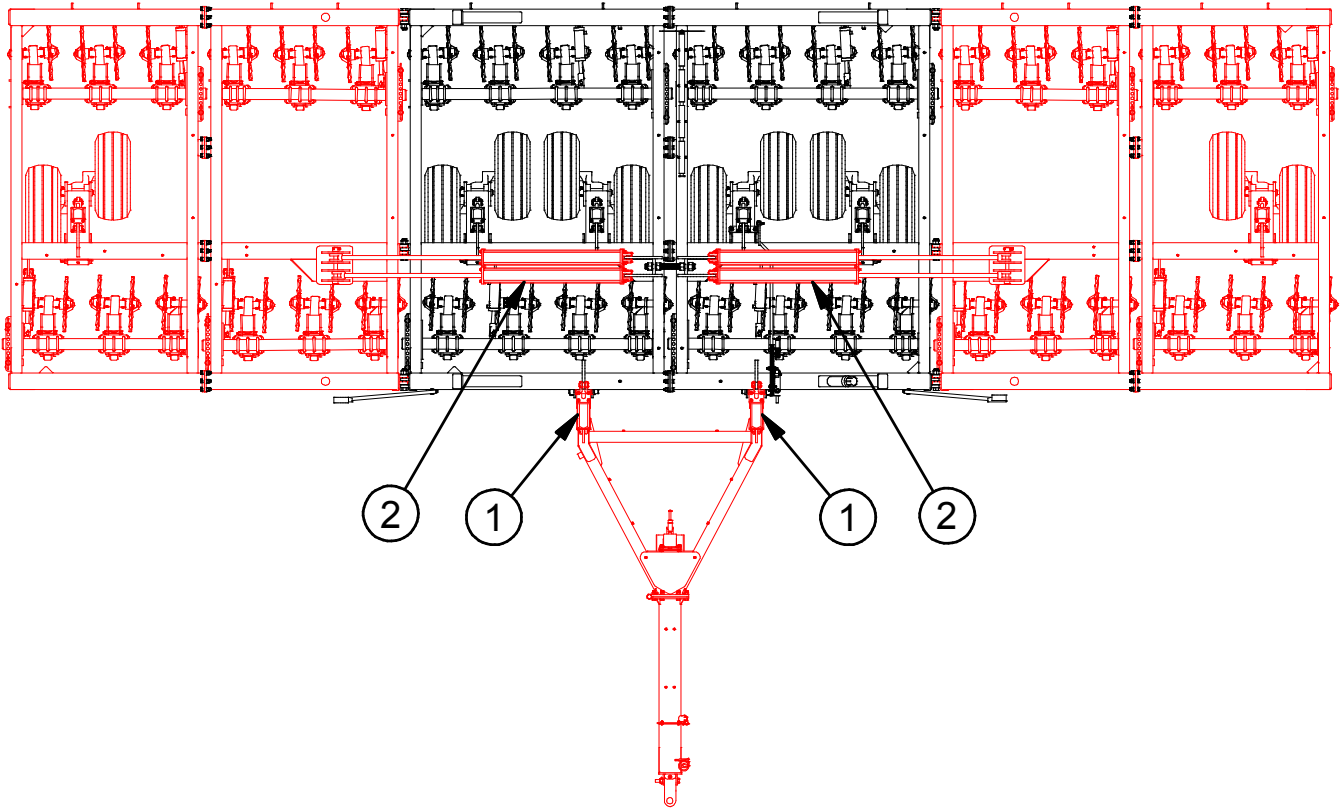
36' TWISTER



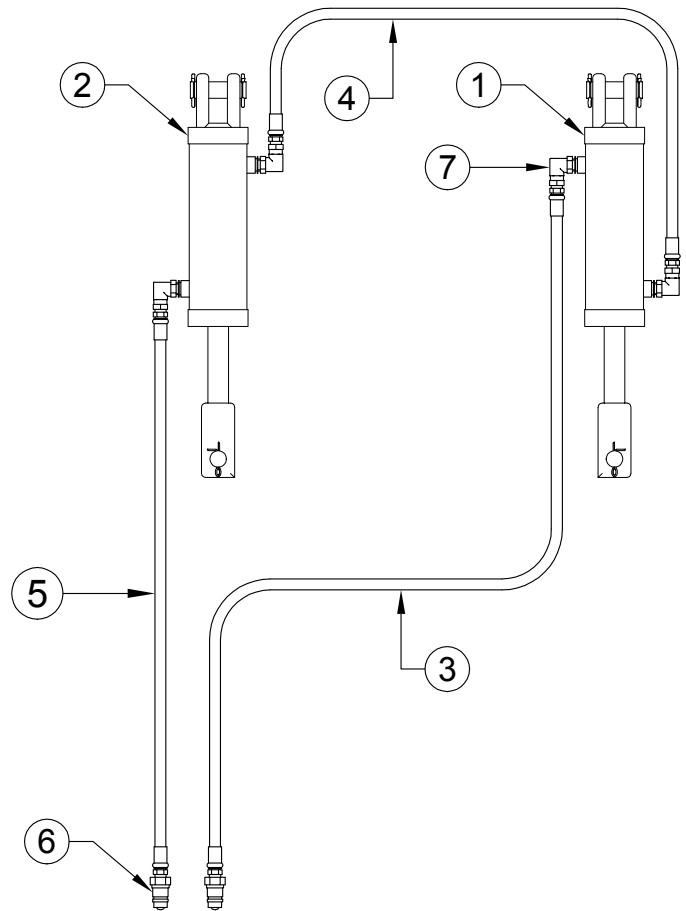
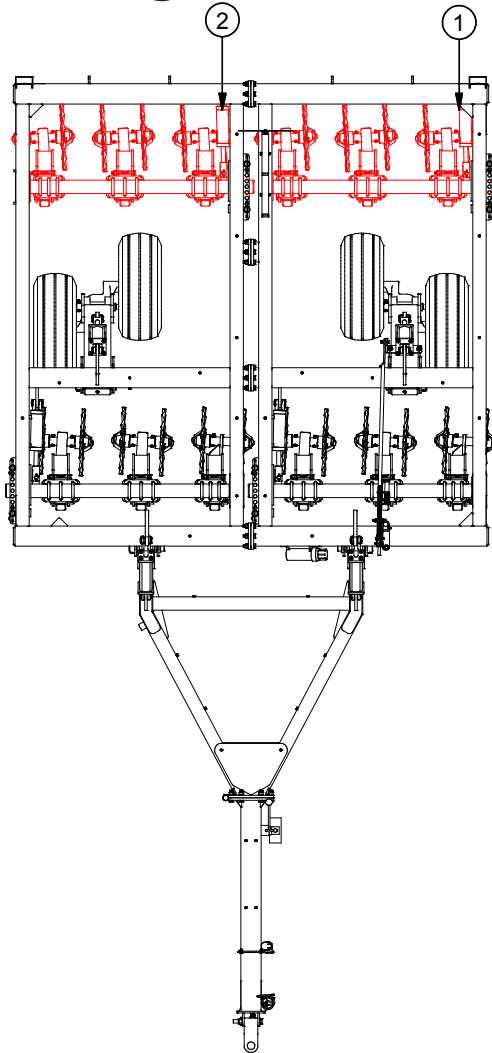
40' TWISTER

Item	Part #	Description	Seal Kit #
1	R1940801	Cylinder, Tie-Rod: 4" x 8" (662423)	KR100000
2	R1954801	Cylinder, Tie-Rod: 5" x 48" (662527)	KR100007
3	n/a	Hydraulic Hose: 3/8" x 20"	
4	n/a	Hydraulic Hose: 3/8" x 12"	
5	n/a	Hydraulic Hose: 3/8" x 74"	
6	n/a	Hydraulic Hose: 3/8" x 91"	
7	n/a	Hydraulic Hose: 3/8" x 89"	
8	n/a	Hydraulic Hose: 3/8" x 50"	
9	n/a	Hydraulic Hose: 3/8" x 39"	
10	n/a	Hydraulic Hose: 3/8" x 32"	
11	n/a	Hydraulic Hose: 3/8" x 21"	
12	n/a	Hydraulic Hose: 3/8" x 216"	
13	R1802046	Tip, Quick Connect: /38 FPT	
14	R1802053	Tee: #6 FPTX - #6 FPTX - #6 FPTX	
15	R1802052	Tee: #6 FPTX - #6 MPT - #6 FPTX	
16	R1802004	Elbow 90°: #8 MORB - #6 FPTX	
17	R1802005	Straight: #8 MORB - #6 FPTX	
18	R1802047	Straight: #6 MPT - #6 MPT	
19	R1802050	Elbow 90°: #6 FPTX - #6 MPT	
20	R1802036	Straight, Restrictor: #6 FPTX - #6 MPT	
21	R1802048	Straight: #6 FPTX - #6 MPT	
22	R1803003	Selector Valve: Manual	
23	R1802055	Ball Valve: #6 FPT - #6 FPT	

40' TWISTER

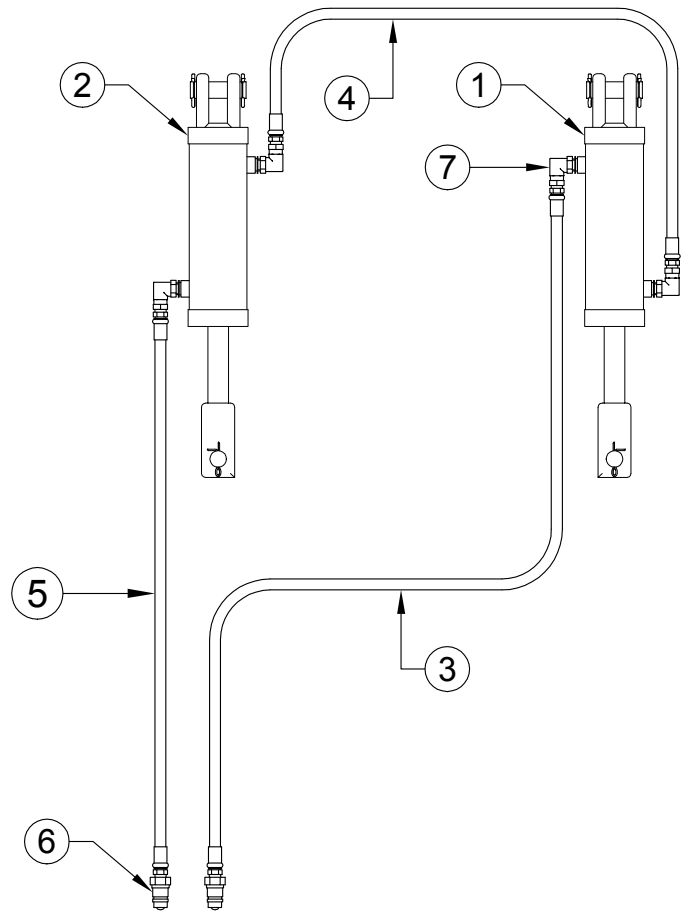
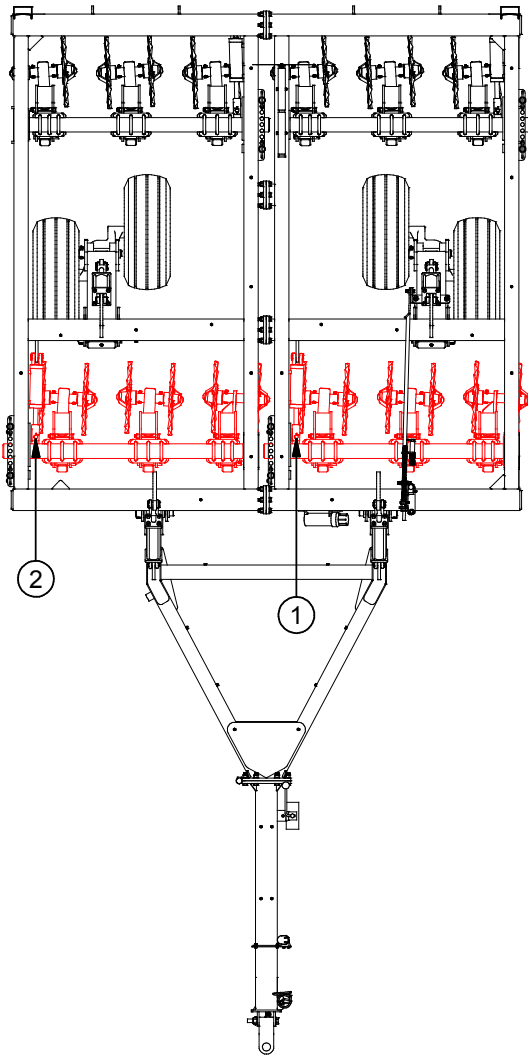


12' TWISTER



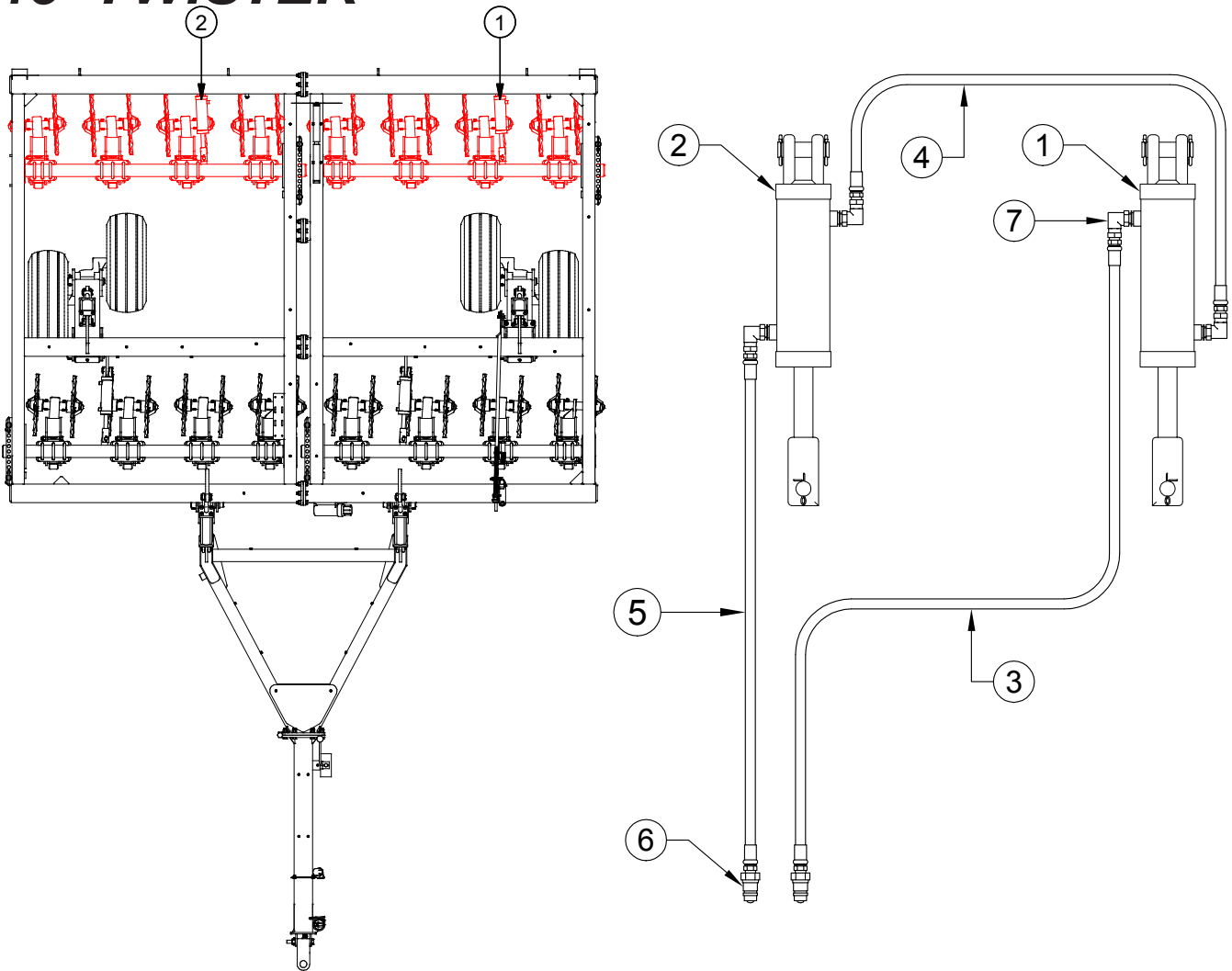
Item	Part #	Description	Seal Kit #
1	R1930804	Cylinder, Welded, Rephasing : 3" x 8" (647915)	KR100020
2	R1920802	Cylinder, Welded, Rephasing : 2-3/4" x 8" (647914)	KR100014
3	n/a	Hydraulic Hose: 3/8" x 516"	
4	n/a	Hydraulic Hose: 3/8" x 300"	
5	n/a	Hydraulic Hose: 3/8" x 426"	
6	R1802046	Tip, Quick Connect: #8 FPT	
7	R1802004	Elbow 90°: #8 MORB - #6 FPTX	

12' TWISTER



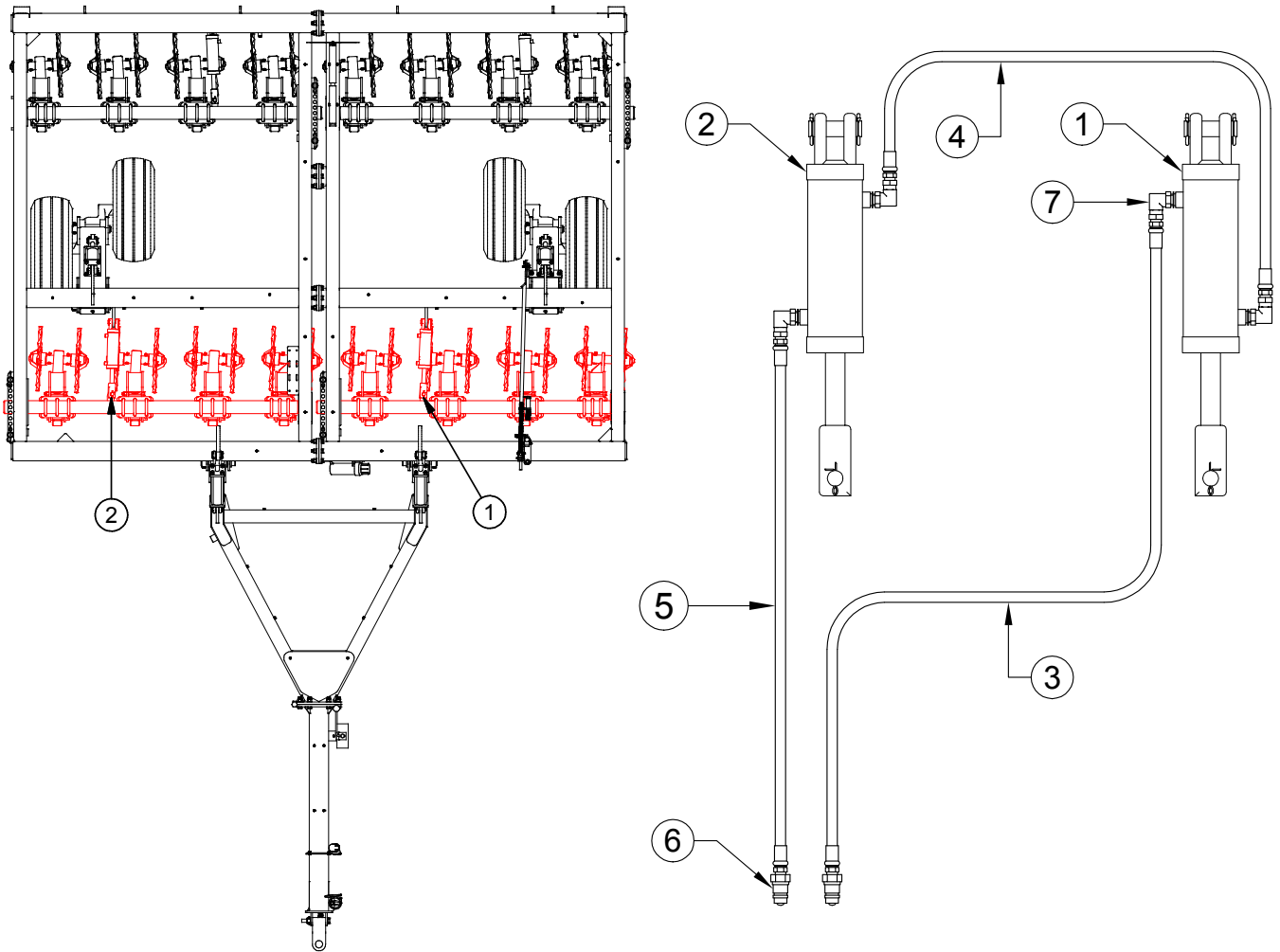
Item	Part #	Description	Seal Kit #
1	R1930804	Cylinder, Welded, Rephasing : 3" x 8" (647915)	KR100020
2	R1920802	Cylinder, Welded, Rephasing : 2-3/4" x 8" (647914)	KR100014
3	n/a	Hydraulic Hose: 3/8" x 360"	
4	n/a	Hydraulic Hose: 3/8" x 126"	
5	n/a	Hydraulic Hose: 3/8" x 390"	
6	R1802046	Tip, Quick Connect: #8 FPT	
7	R1802004	Elbow 90°: #8 MORB - #6 FPTX	

16' TWISTER



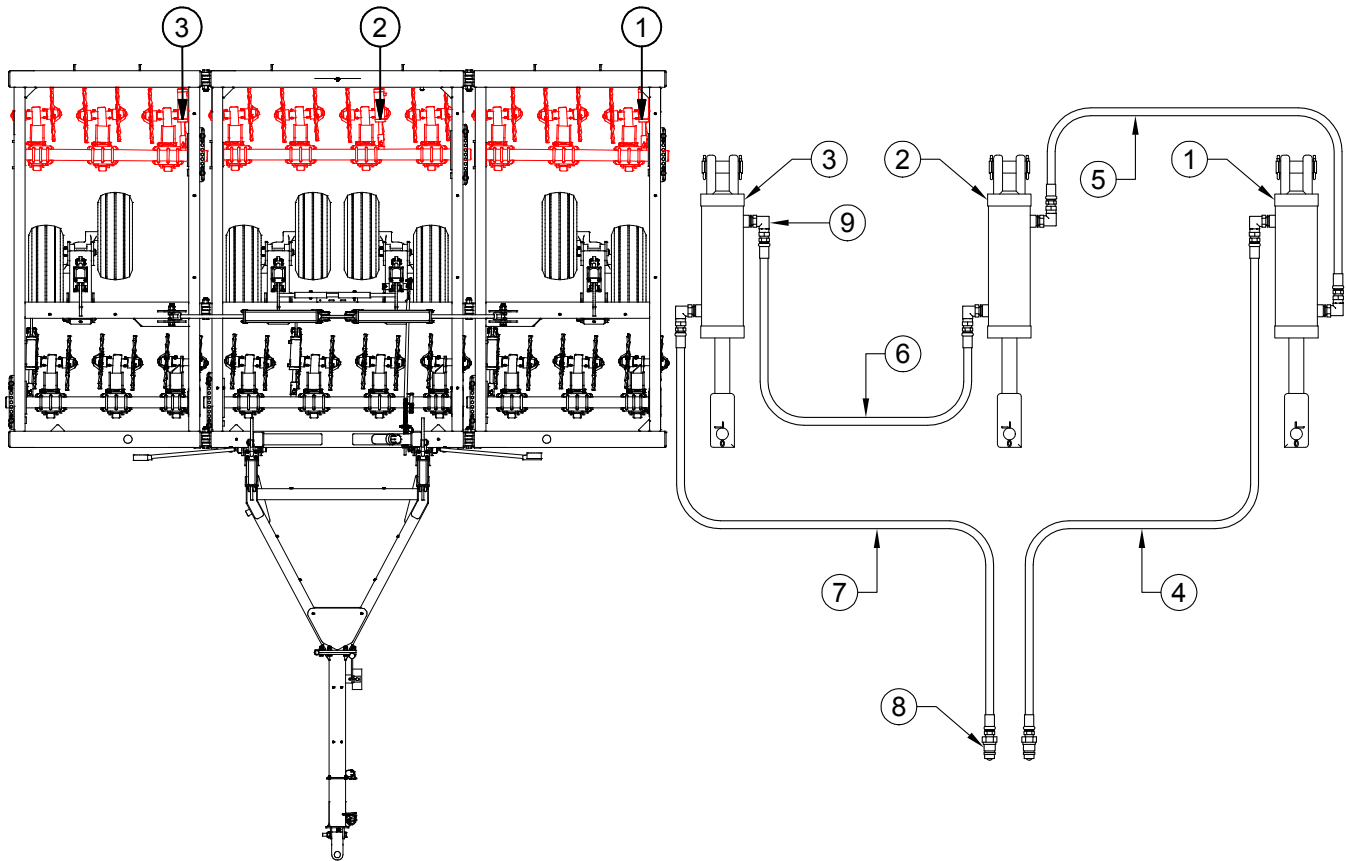
Item	Part #	Description	Seal Kit #
1	R1930804	Cylinder, Welded, Rephasing : 3" x 8" (647915)	KR100020
2	R1920802	Cylinder, Welded, Rephasing : 2-3/4" x 8" (647914)	KR100014
3	n/a	Hydraulic Hose: 3/8" x 516"	
4	n/a	Hydraulic Hose: 3/8" x 300"	
5	n/a	Hydraulic Hose: 3/8" x 426"	
6	R1802046	Tip, Quick Connect: #8 FPT	
7	R1802004	Elbow 90°: #8 MORB - #6 FPTX	

16' TWISTER



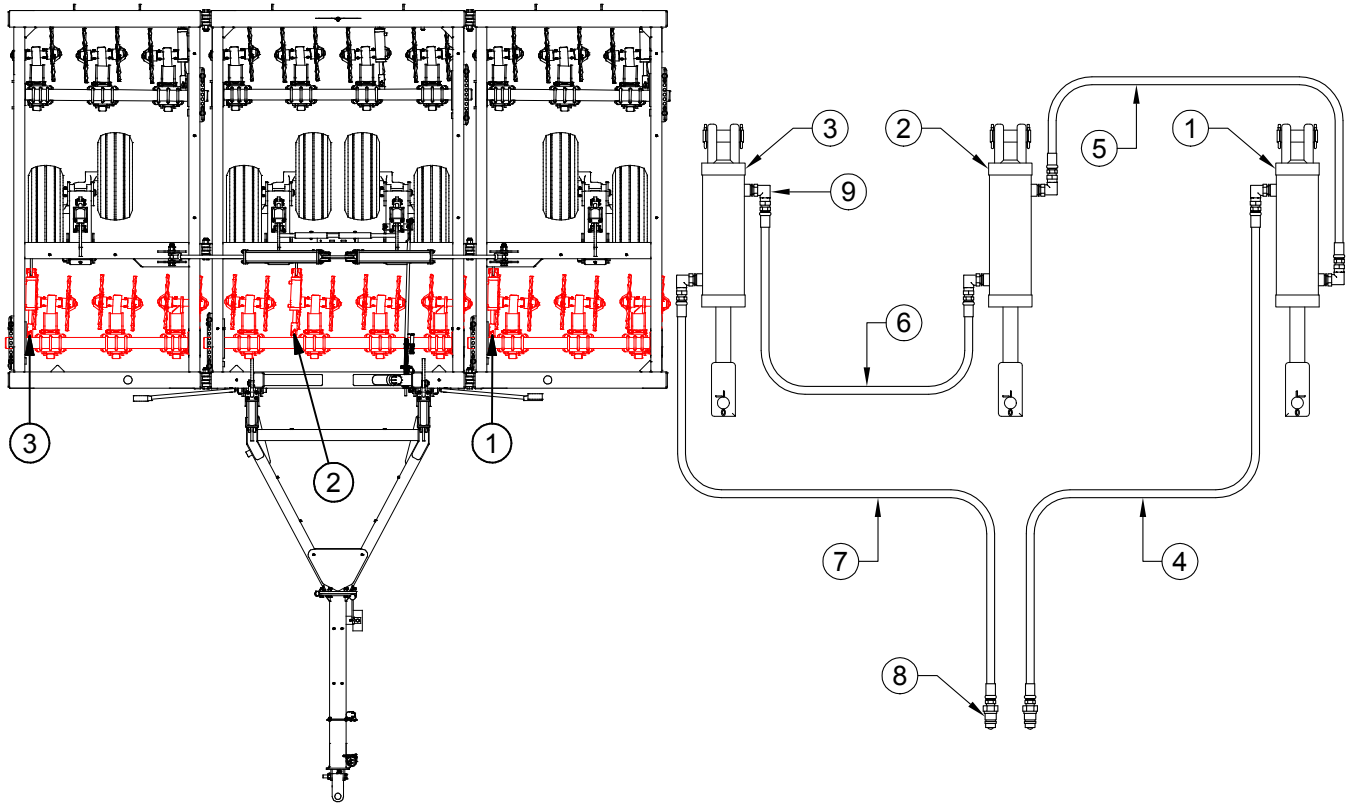
Item	Part #	Description	Seal Kit #
1	R1930804	Cylinder, Welded, Rephasing : 3" x 8" (647915)	KR100020
2	R1920802	Cylinder, Welded, Rephasing : 2-3/4" x 8" (647914)	KR100014
3	n/a	Hydraulic Hose: 3/8" x 360"	
4	n/a	Hydraulic Hose: 3/8" x 126"	
5	n/a	Hydraulic Hose: 3/8" x 390"	
6	R1802046	Tip, Quick Connect: #8 FPT	
7	R1802004	Elbow 90°: #8 MORB - #6 FPTX	

20' TWISTER



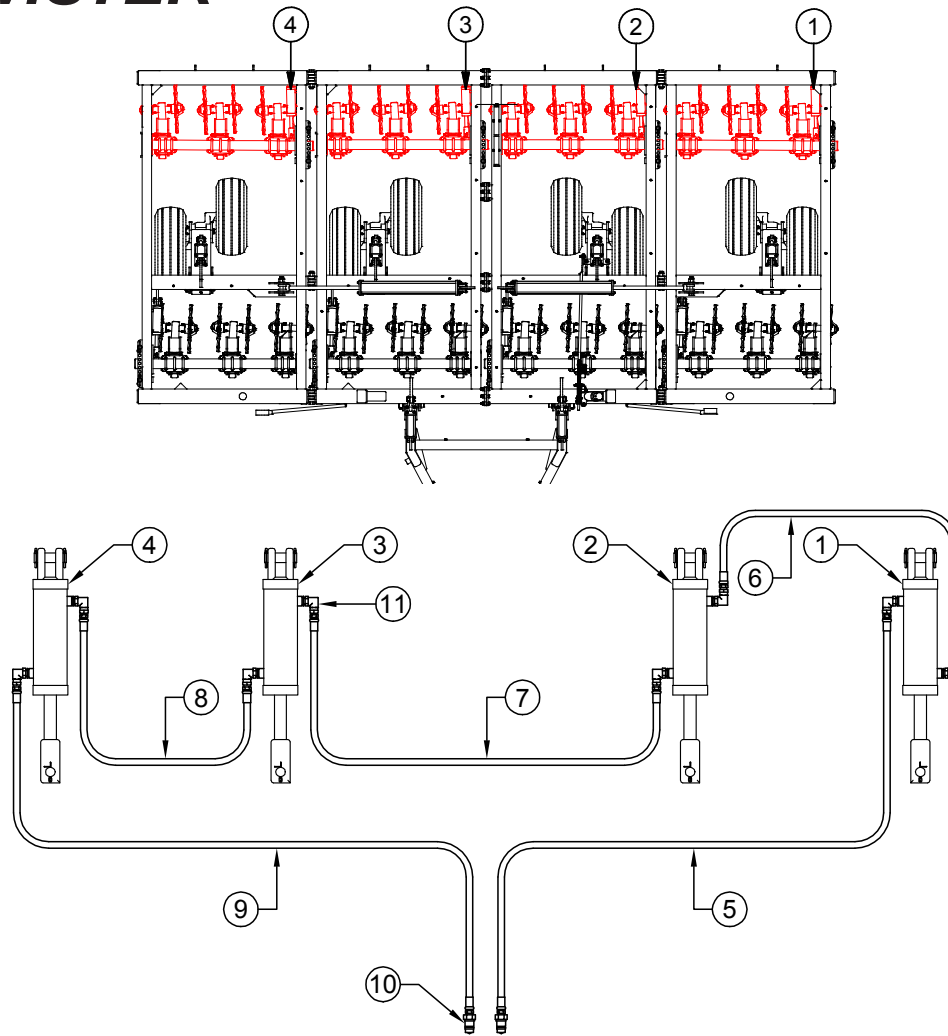
Item	Part #	Description	Seal Kit #
1	R1930805	Cylinder, Welded, Rephasing : 3-1/4" x 8" (647916)	KR100017
2	R1930804	Cylinder, Welded, Rephasing : 3" x 8" (647915)	KR100020
3	R1920802	Cylinder, Welded, Rephasing : 2-3/4" x 8" (647914)	KR100014
4	n/a	Hydraulic Hose: 3/8" x 380"	
5	n/a	Hydraulic Hose: 3/8" x 294"	
6	n/a	Hydraulic Hose: 3/8" x 264"	
7	n/a	Hydraulic Hose: 3/8" x 444"	
8	R1802046	Tip, Quick Connect: #8 FPT	
9	R1802004	Elbow 90°: #8 MORB - #6 FPTX	

20' TWISTER



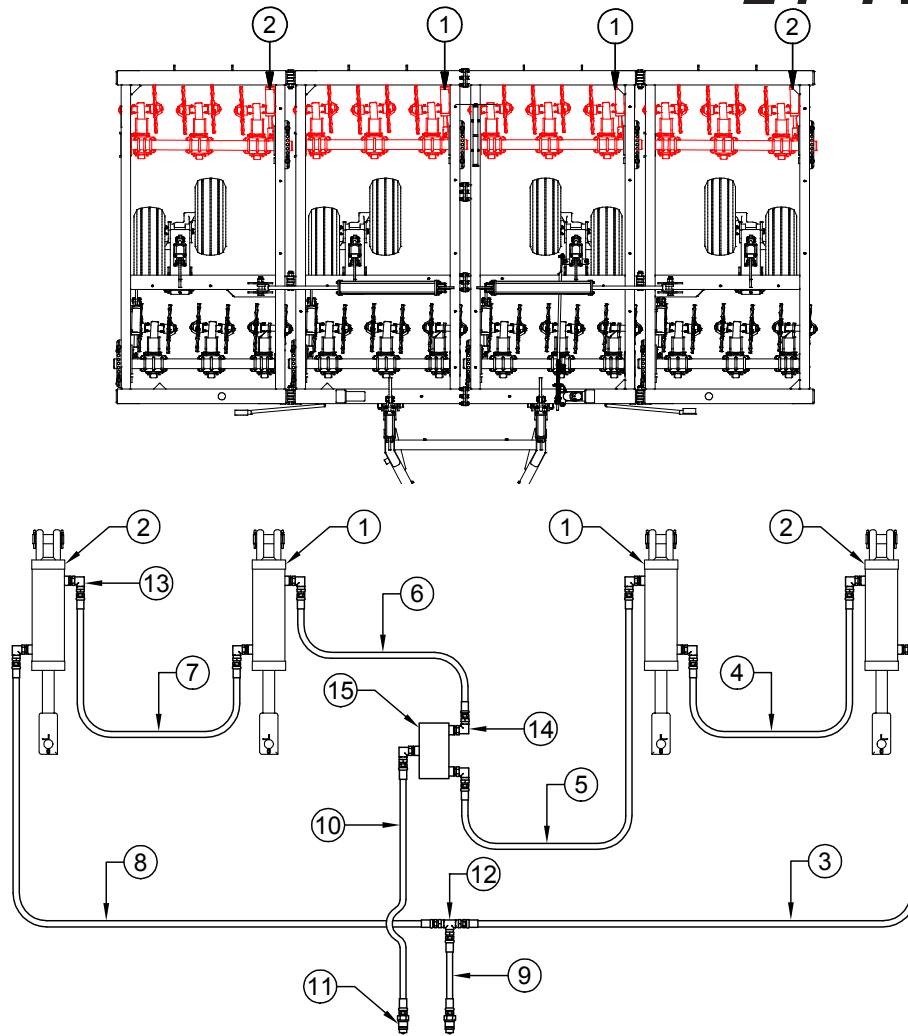
Item	Part #	Description	Seal Kit #
1	R1930805	Cylinder, Welded, Rephasing : 3-1/4" x 8" (647916)	KR100017
2	R1930804	Cylinder, Welded, Rephasing : 3" x 8" (647915)	KR100020
3	R1920802	Cylinder, Welded, Rephasing : 2-3/4" x 8" (647914)	KR100014
4	n/a	Hydraulic Hose: 3/8" x 359"	
5	n/a	Hydraulic Hose: 3/8" x 136"	
6	n/a	Hydraulic Hose: 3/8" x 105"	
7	n/a	Hydraulic Hose: 3/8" x 319"	
8	R1802046	Tip, Quick Connect: #8 FPT	
9	R1802004	Elbow 90°: #8 MORB - #6 FPTX	

24' TWISTER



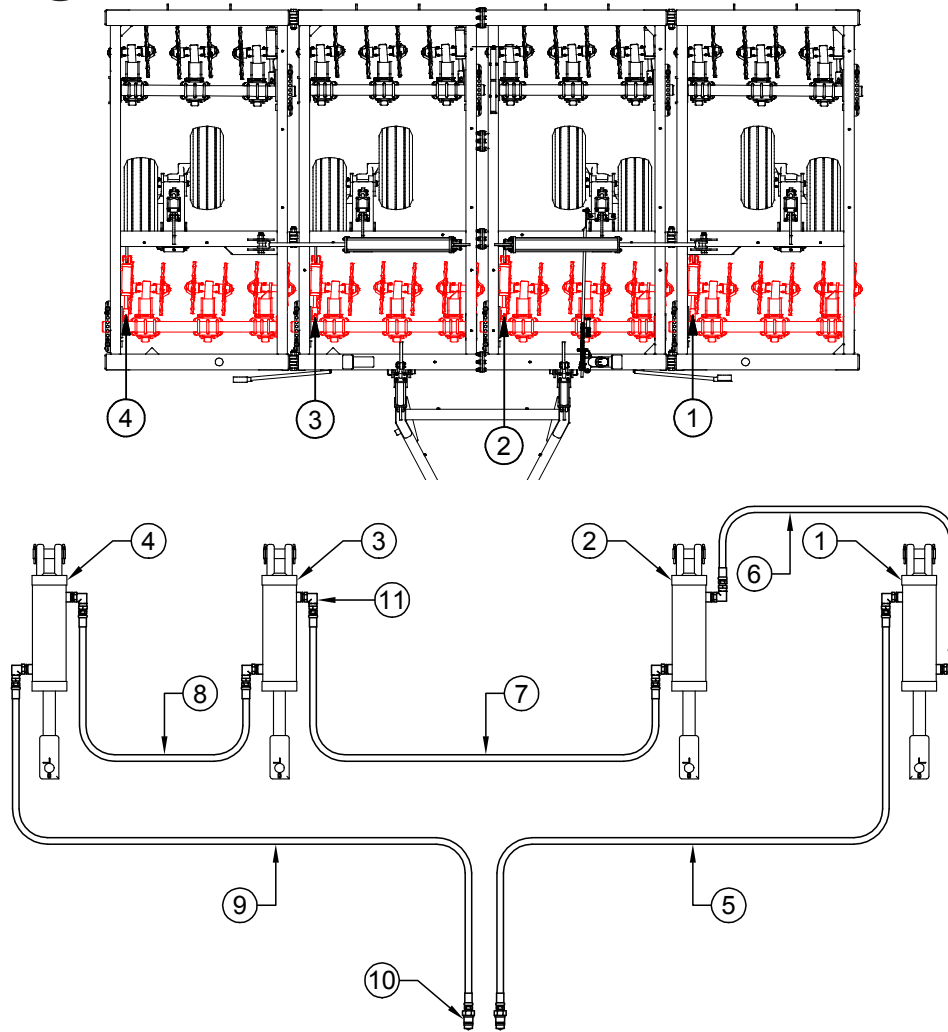
Item	Part #	Description	Seal Kit #
1	R1940806	Cylinder, Welded, Rephasing: 3-1/2" x 8" (658320)	KR100003
2	R1930805	Cylinder, Welded, Rephasing : 3-1/4" x 8" (647916)	KR100017
3	R1930804	Cylinder, Welded, Rephasing : 3" x 8" (647915)	KR100020
4	R1920802	Cylinder, Welded, Rephasing : 2-3/4" x 8" (647914)	KR100014
5	n/a	Hydraulic Hose: 3/8" x 536"	
6	n/a	Hydraulic Hose: 3/8" x 248"	
7	n/a	Hydraulic Hose: 3/8" x 252"	
8	n/a	Hydraulic Hose: 3/8" x 246"	
9	n/a	Hydraulic Hose: 3/8" x 468"	
10	R1802046	Tip, Quick Connect: #8 FPT	
11	R1802004	Elbow 90°: #8 MORB - #6 FPTX	

24' TWISTER



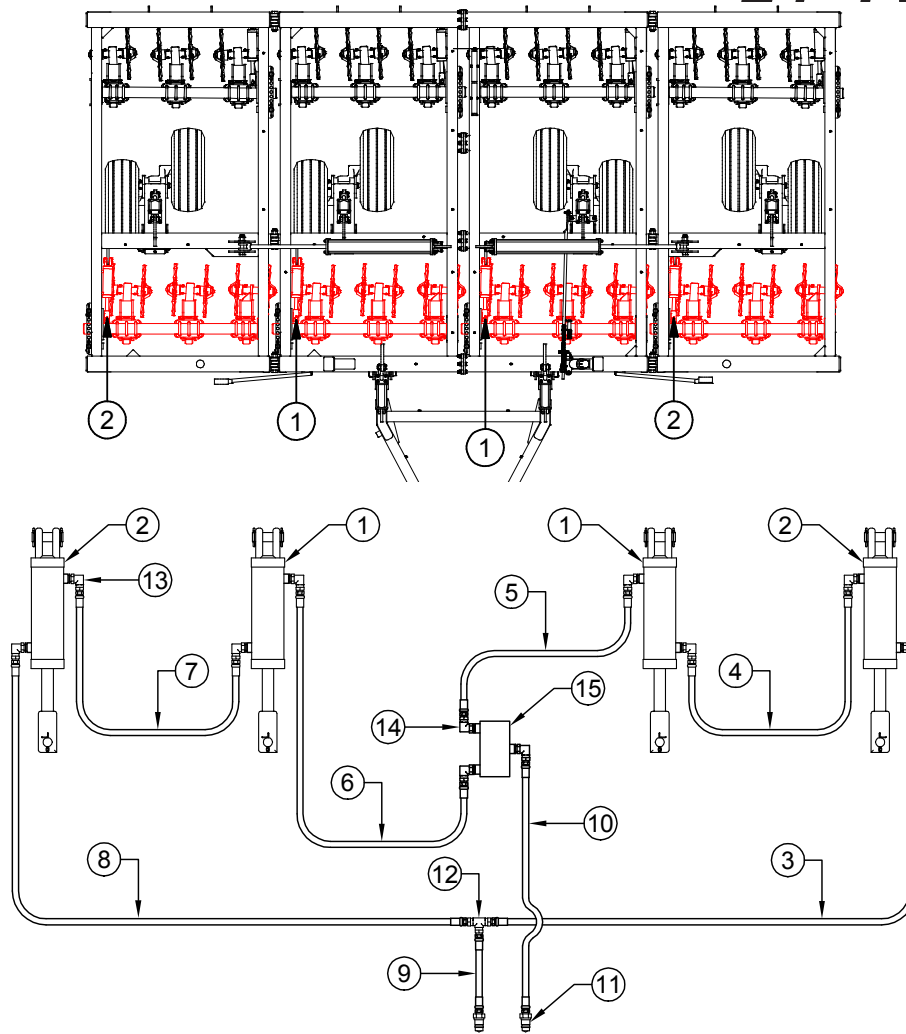
Item	Part #	Description	Seal Kit #
1	R1930805	Cylinder, Welded, Rephasing: 3-1/4" x 8" (647916)	KR100017
2	R1930804	Cylinder, Welded, Rephasing: 3" x 8" (647915)	KR100020
3	n/a	Hydraulic Hose: 3/8" x 231"	
4	n/a	Hydraulic Hose: 3/8" x 248"	
5	n/a	Hydraulic Hose: 3/8" x 164"	
6	n/a	Hydraulic Hose: 3/8" x 106"	
7	n/a	Hydraulic Hose: 3/8" x 246"	
8	n/a	Hydraulic Hose: 3/8" x 162"	
9	n/a	Hydraulic Hose: 3/8" x 288"	
10	n/a	Hydraulic Hose: 3/8" x 306"	
11	R1802046	Tip, Quick Connect: #8 FPT	
12	R1802053	Tee: #6 FPTX - #6 FPTX - #6 FPTX	
13	R1802004	Elbow 90°: #8 MORB - #6 FPTX	
14	R1802015	Elbow 90°: #10 MORB - #6 FPTX	
15	R1803002	Flow Divider: 2-Way	

24' TWISTER



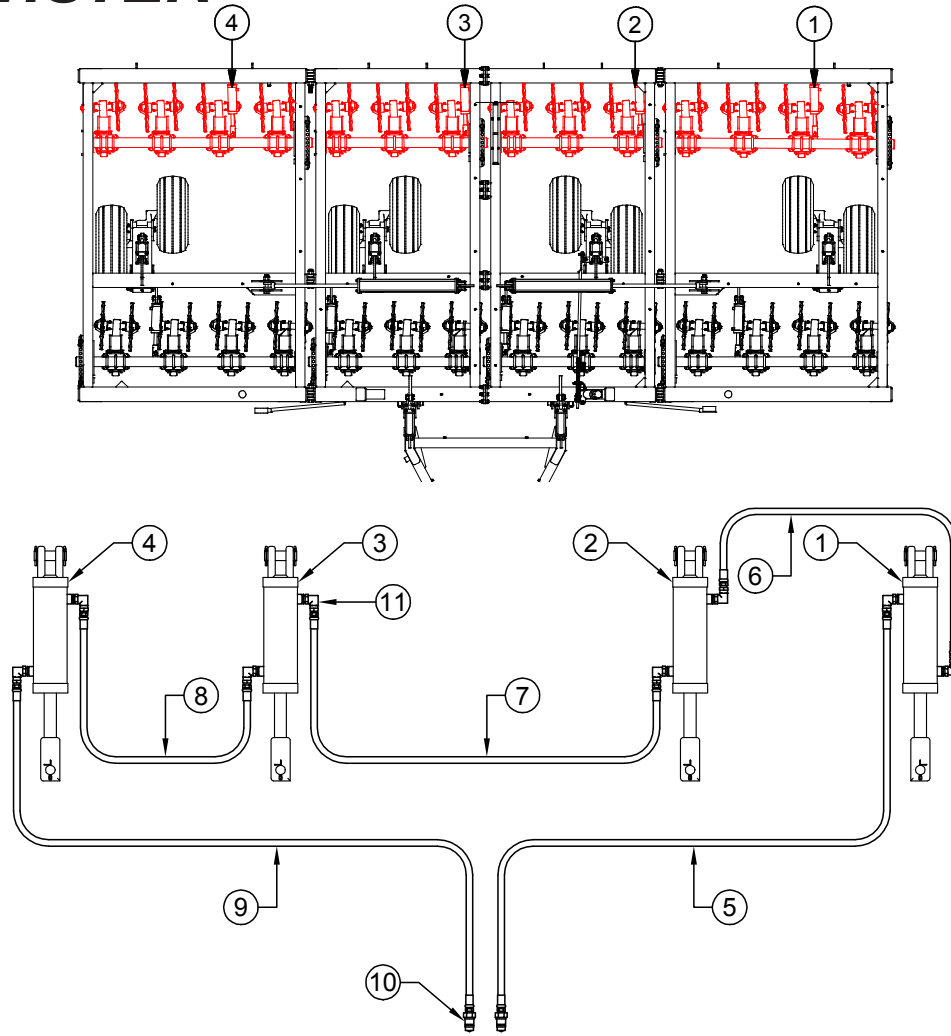
Item	Part #	Description	Seal Kit #
1	R1940806	Cylinder, Welded, Rephasing: 3-1/2" x 8" (658320)	KR100003
2	R1930805	Cylinder, Welded, Rephasing : 3-1/4" x 8" (647916)	KR100017
3	R1930804	Cylinder, Welded, Rephasing : 3" x 8" (647915)	KR100020
4	R1920802	Cylinder, Welded, Rephasing : 2-3/4" x 8" (647914)	KR100014
5	n/a	Hydraulic Hose: 3/8" x 408"	
6	n/a	Hydraulic Hose: 3/8" x 102"	
7	n/a	Hydraulic Hose: 3/8" x 96"	
8	n/a	Hydraulic Hose: 3/8" x 96"	
9	n/a	Hydraulic Hose: 3/8" x 462"	
10	R1802046	Tip, Quick Connect: #8 FPT	
11	R1802004	Elbow 90°: #8 MORB - #6 FPTX	

24' TWISTER



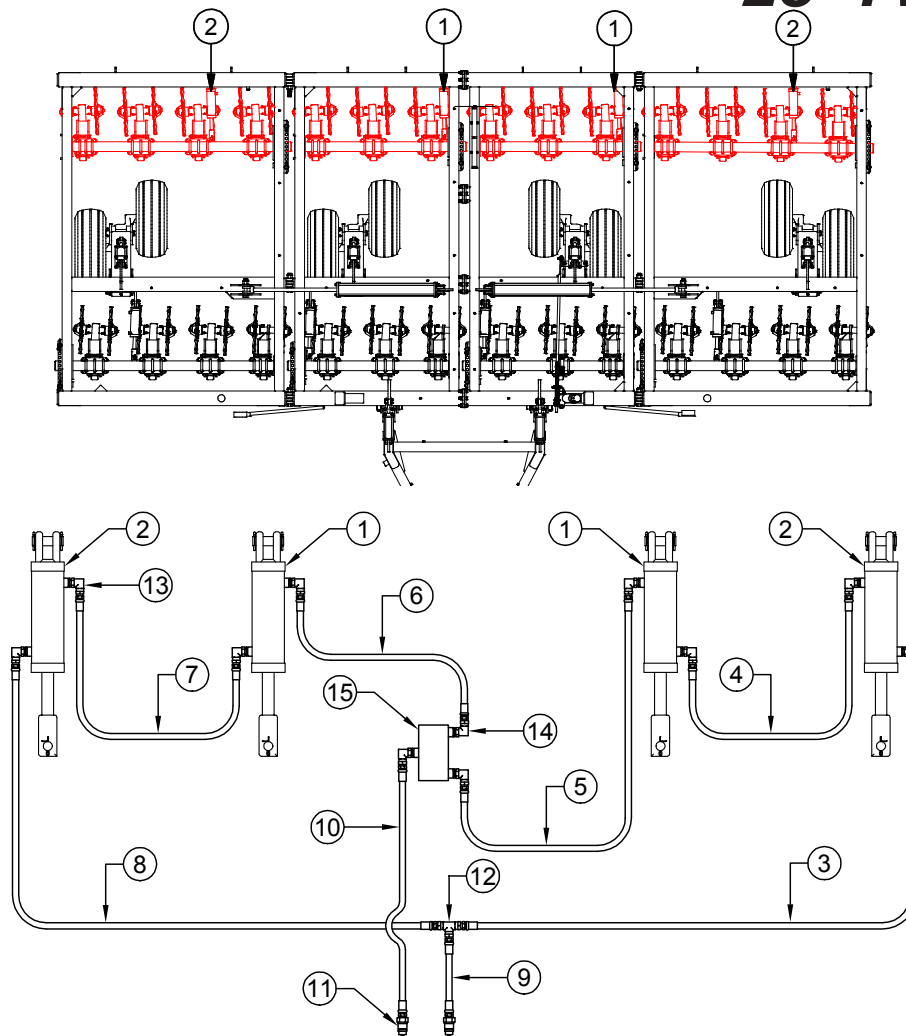
Item	Part #	Description	Seal Kit #
1	R1930805	Cylinder, Welded, Rephasing: 3-1/4" x 8" (647916)	KR100017
2	R1930804	Cylinder, Welded, Rephasing: 3" x 8" (647915)	KR100020
3	n/a	Hydraulic Hose: 3/8" x 102"	
4	n/a	Hydraulic Hose: 3/8" x 102"	
5	n/a	Hydraulic Hose: 3/8" x 31"	
6	n/a	Hydraulic Hose: 3/8" x 76"	
7	n/a	Hydraulic Hose: 3/8" x 114"	
8	n/a	Hydraulic Hose: 3/8" x 156"	
9	n/a	Hydraulic Hose: 3/8" x 288"	
10	n/a	Hydraulic Hose: 3/8" x 306"	
11	R1802046	Tip, Quick Connect: #8 FPT	
12	R1802053	Tee: #6 FPTX - #6 FPTX - #6 FPTX	
13	R1802004	Elbow 90°: #8 MORB - #6 FPTX	
14	R1802015	Elbow 90°: #10 MORB - #6 FPTX	
15	R1803002	Flow Divider: 2-Way	

28' TWISTER



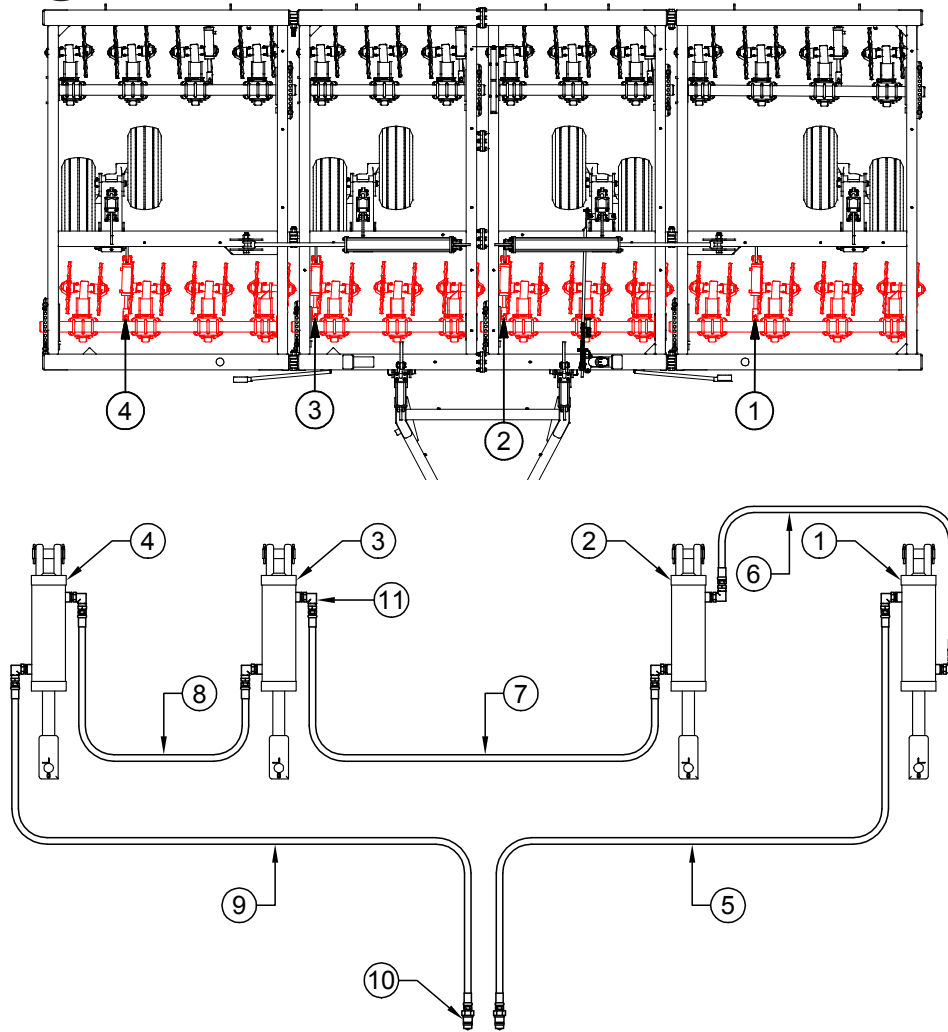
Item	Part #	Description	Seal Kit #
1	R1940806	Cylinder, Welded, Rephasing: 3-1/2" x 8" (658320)	KR100003
2	R1930805	Cylinder, Welded, Rephasing : 3-1/4" x 8" (647916)	KR100017
3	R1930804	Cylinder, Welded, Rephasing : 3" x 8" (647915)	KR100020
4	R1920802	Cylinder, Welded, Rephasing : 2-3/4" x 8" (647914)	KR100014
5	n/a	Hydraulic Hose: 3/8" x 582"	
6	n/a	Hydraulic Hose: 3/8" x 288"	
7	n/a	Hydraulic Hose: 3/8" x 254"	
8	n/a	Hydraulic Hose: 3/8" x 262"	
9	n/a	Hydraulic Hose: 3/8" x 490"	
10	R1802046	Tip, Quick Connect: #8 FPT	
11	R1802004	Elbow 90°: #8 MORB - #6 FPTX	

28' TWISTER



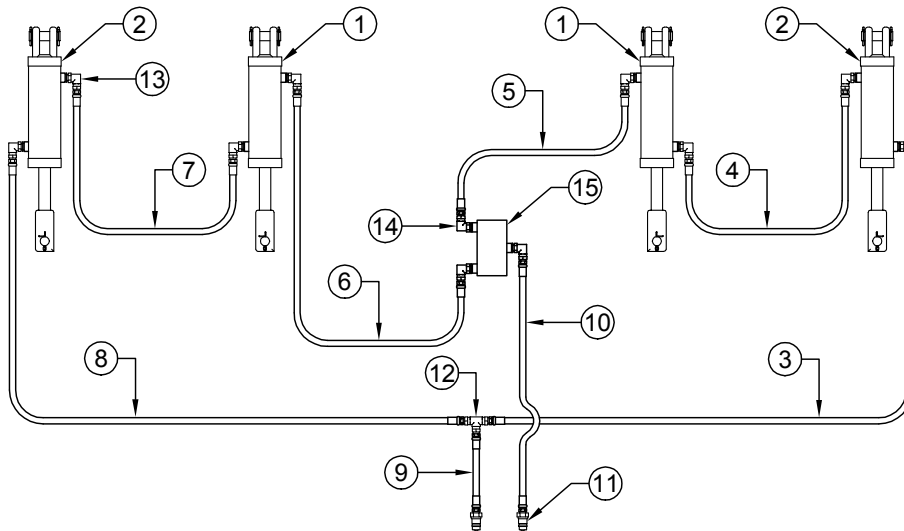
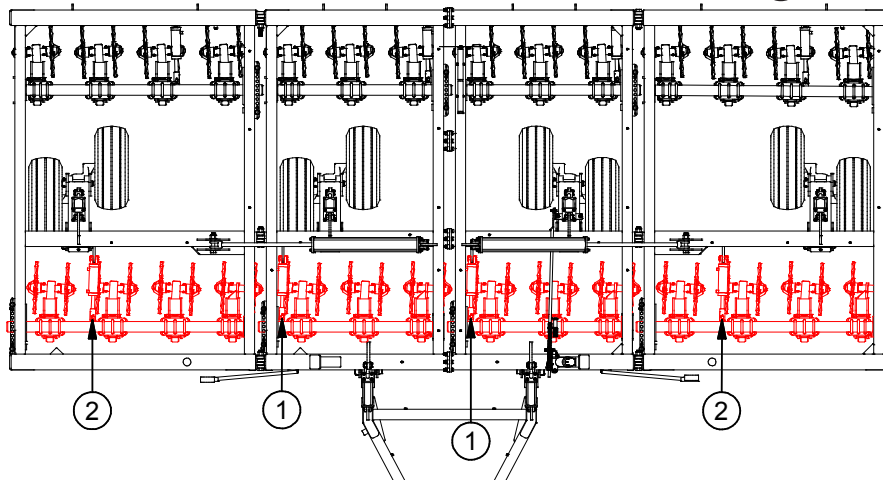
Item	Part #	Description	Seal Kit #
1	R1930805	Cylinder, Welded, Rephasing: 3-1/4" x 8" (647916)	KR100017
2	R1930804	Cylinder, Welded, Rephasing: 3" x 8" (647915)	KR100020
3	n/a	Hydraulic Hose: 3/8" x 276"	
4	n/a	Hydraulic Hose: 3/8" x 288"	
5	n/a	Hydraulic Hose: 3/8" x 160"	
6	n/a	Hydraulic Hose: 3/8" x 109"	
7	n/a	Hydraulic Hose: 3/8" x 262"	
8	n/a	Hydraulic Hose: 3/8" x 184"	
9	n/a	Hydraulic Hose: 3/8" x 288"	
10	n/a	Hydraulic Hose: 3/8" x 306"	
11	R1802046	Tip, Quick Connect: #8 FPT	
12	R1802053	Tee: #6 FPTX - #6 FPTX - #6 FPTX	
13	R1802004	Elbow 90°: #8 MORB - #6 FPTX	
14	R1802015	Elbow 90°: #10 MORB - #6 FPTX	
15	R1803002	Flow Divider: 2-Way	

28' TWISTER



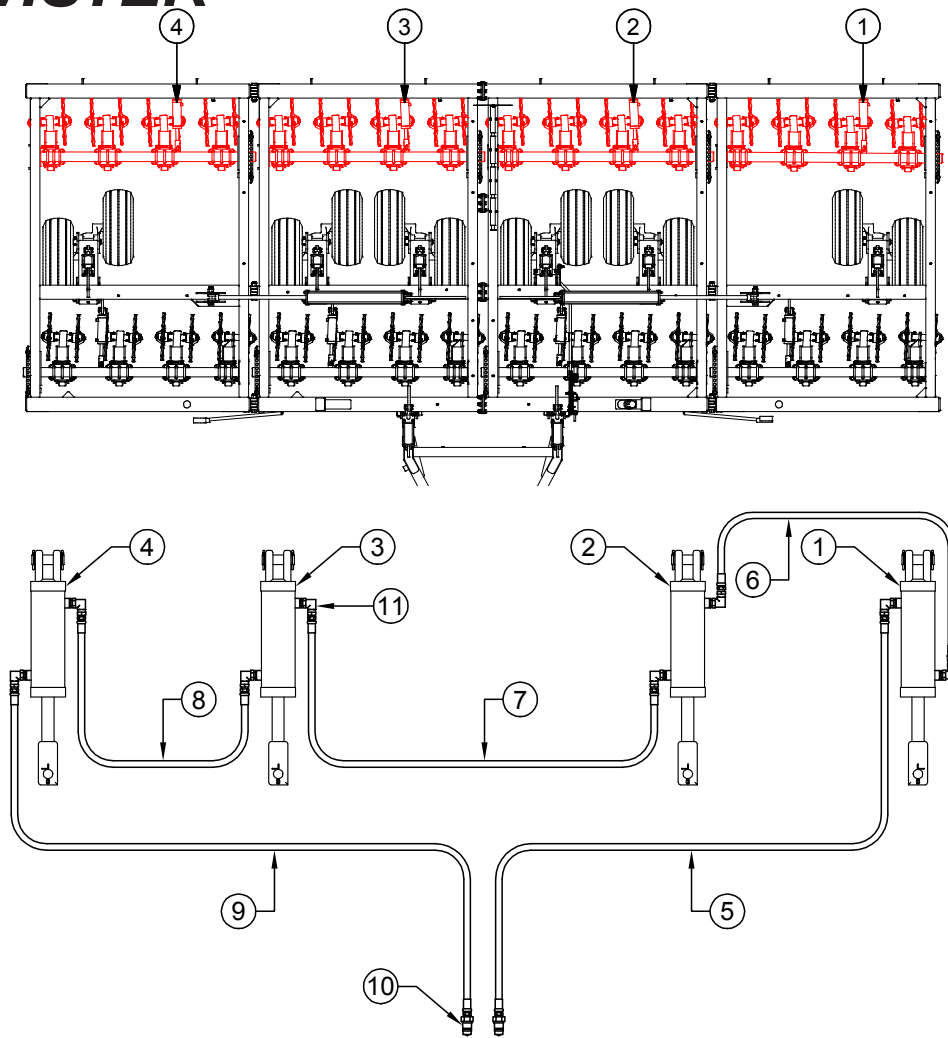
Item	Part #	Description	Seal Kit #
1	R1940806	Cylinder, Welded, Rephasing: 3-1/2" x 8" (658320)	KR100003
2	R1930805	Cylinder, Welded, Rephasing : 3-1/4" x 8" (647916)	KR100017
3	R1930804	Cylinder, Welded, Rephasing : 3" x 8" (647915)	KR100020
4	R1920802	Cylinder, Welded, Rephasing : 2-3/4" x 8" (647914)	KR100014
5	n/a	Hydraulic Hose: 3/8" x 399"	
6	n/a	Hydraulic Hose: 3/8" x 123"	
7	n/a	Hydraulic Hose: 3/8" x 96"	
8	n/a	Hydraulic Hose: 3/8" x 103"	
9	n/a	Hydraulic Hose: 3/8" x 458"	
10	R1802046	Tip, Quick Connect: #8 FPT	
11	R1802004	Elbow 90°: #8 MORB - #6 FPTX	

28' TWISTER



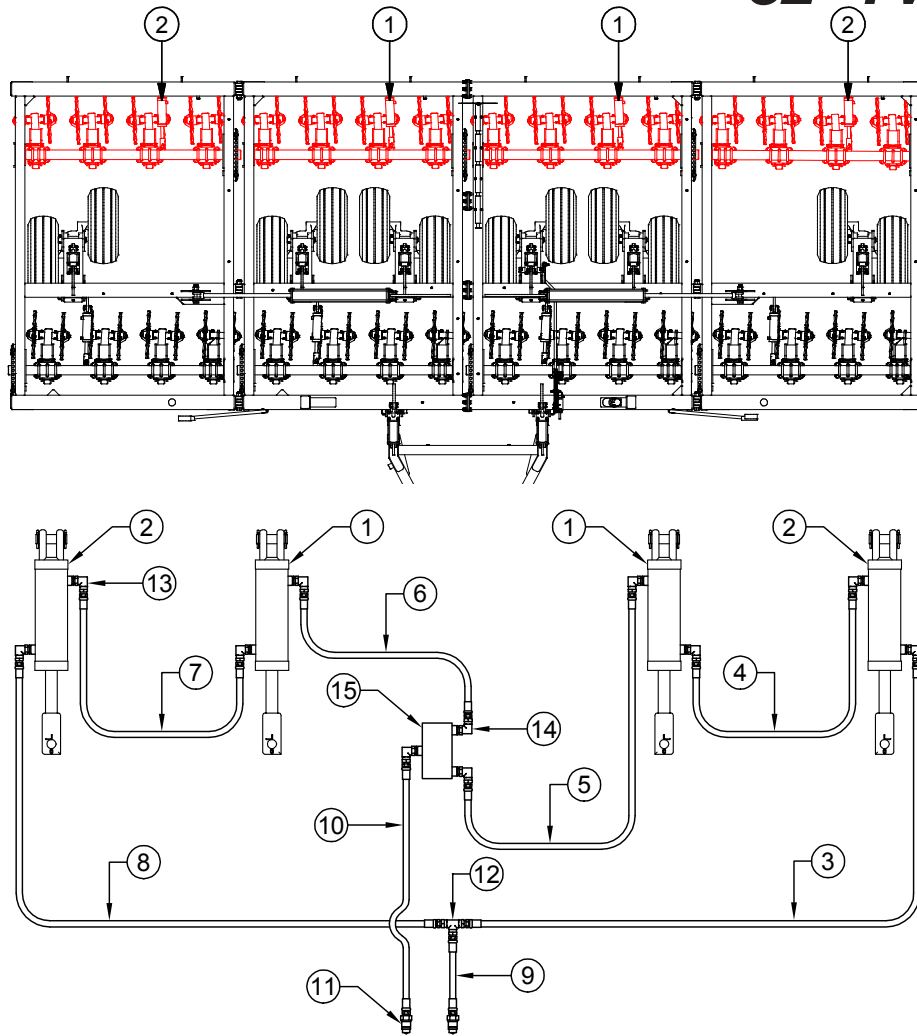
Item	Part #	Description	Seal Kit #
1	R1930805	Cylinder, Welded, Rephasing: 3-1/4" x 8" (647916)	KR100017
2	R1930804	Cylinder, Welded, Rephasing: 3" x 8" (647915)	KR100020
3	n/a	Hydraulic Hose: 3/8" x 123"	
4	n/a	Hydraulic Hose: 3/8" x 123"	
5	n/a	Hydraulic Hose: 3/8" x 30"	
6	n/a	Hydraulic Hose: 3/8" x 80"	
7	n/a	Hydraulic Hose: 3/8" x 103"	
8	n/a	Hydraulic Hose: 3/8" x 152"	
9	n/a	Hydraulic Hose: 3/8" x 288"	
10	n/a	Hydraulic Hose: 3/8" x 306"	
11	R1802046	Tip, Quick Connect: #8 FPT	
12	R1802053	Tee: #6 FPTX - #6 FPTX - #6 FPTX	
13	R1802004	Elbow 90°: #8 MORB - #6 FPTX	
14	R1802015	Elbow 90°: #10 MORB - #6 FPTX	
15	R1803002	Flow Divider: 2-Way	

32' TWISTER



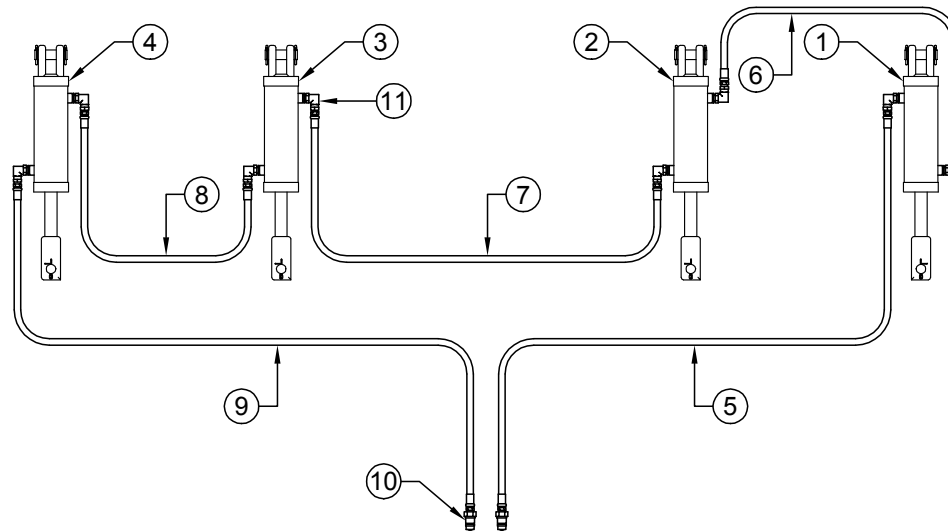
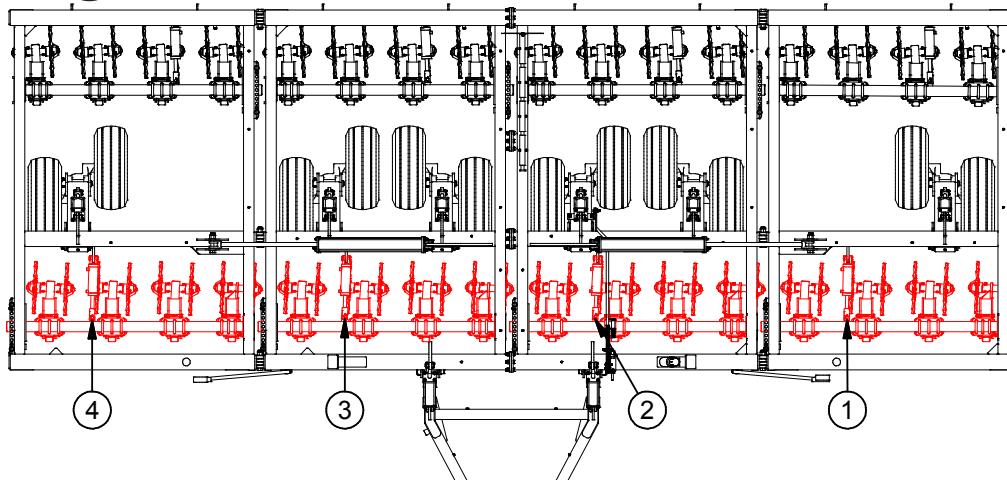
Item	Part #	Description	Seal Kit #
1	R1940806	Cylinder, Welded, Rephasing: 3-1/2" x 8" (658320)	KR100003
2	R1930805	Cylinder, Welded, Rephasing : 3-1/4" x 8" (647916)	KR100017
3	R1930804	Cylinder, Welded, Rephasing : 3" x 8" (647915)	KR100020
4	R1920802	Cylinder, Welded, Rephasing : 2-3/4" x 8" (647914)	KR100014
5	n/a	Hydraulic Hose: 3/8" x 584"	
6	n/a	Hydraulic Hose: 3/8" x 300"	
7	n/a	Hydraulic Hose: 3/8" x 306"	
8	n/a	Hydraulic Hose: 3/8" x 309"	
9	n/a	Hydraulic Hose: 3/8" x 500"	
10	R1802046	Tip, Quick Connect: #8 FPT	
11	R1802004	Elbow 90°: #8 MORB - #6 FPTX	

32' TWISTER



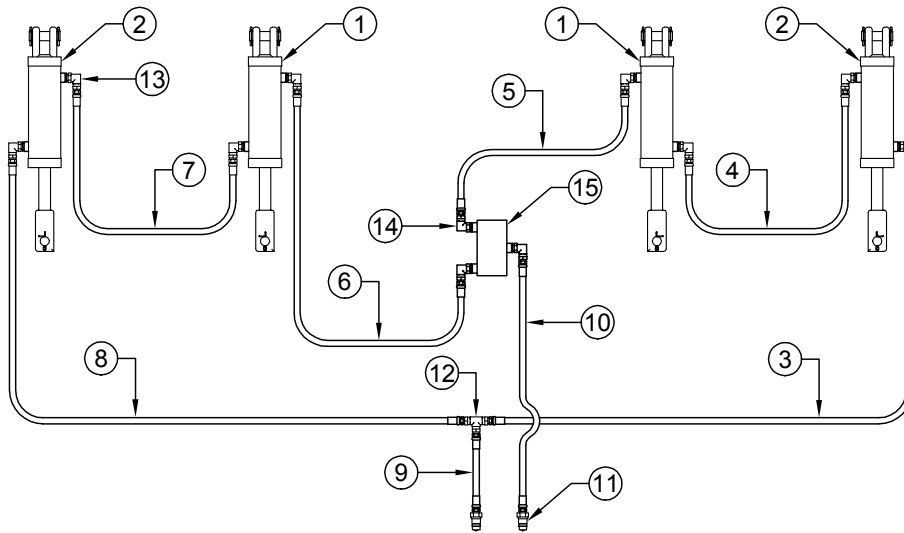
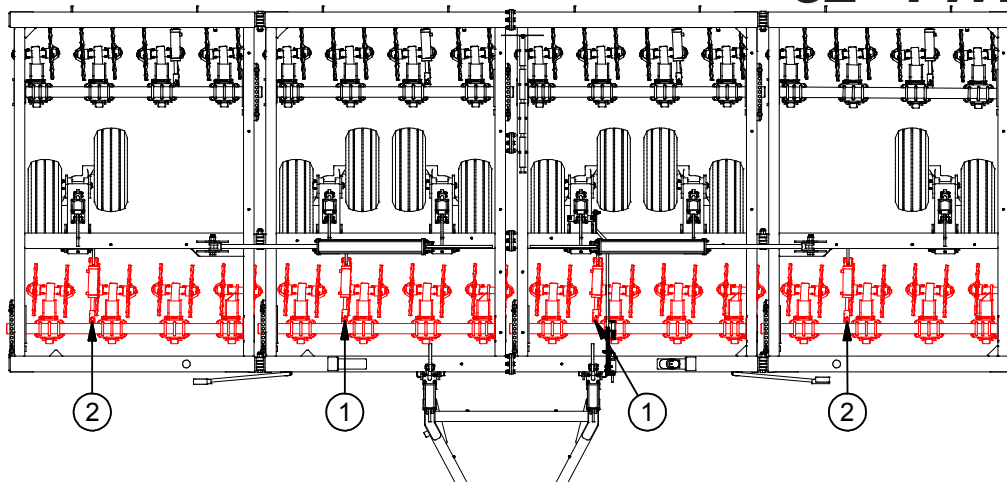
Item	Part #	Description	Seal Kit #
1	R1930805	Cylinder, Welded, Rephasing: 3-1/4" x 8" (647916)	KR100017
2	R1930804	Cylinder, Welded, Rephasing: 3" x 8" (647915)	KR100020
3	n/a	Hydraulic Hose: 3/8" x 293"	
4	n/a	Hydraulic Hose: 3/8" x 300"	
5	n/a	Hydraulic Hose: 3/8" x 196"	
6	n/a	Hydraulic Hose: 3/8" x 130"	
7	n/a	Hydraulic Hose: 3/8" x 309"	
8	n/a	Hydraulic Hose: 3/8" x 204"	
9	n/a	Hydraulic Hose: 3/8" x 306"	
10	n/a	Hydraulic Hose: 3/8" x 288"	
11	R1802046	Tip, Quick Connect: #8 FPT	
12	R1802053	Tee: #6 FPTX - #6 FPTX - #6 FPTX	
13	R1802004	Elbow 90°: #8 MORB - #6 FPTX	
14	R1802015	Elbow 90°: #10 MORB - #6 FPTX	
15	R1803002	Flow Divider: 2-Way	

32' TWISTER



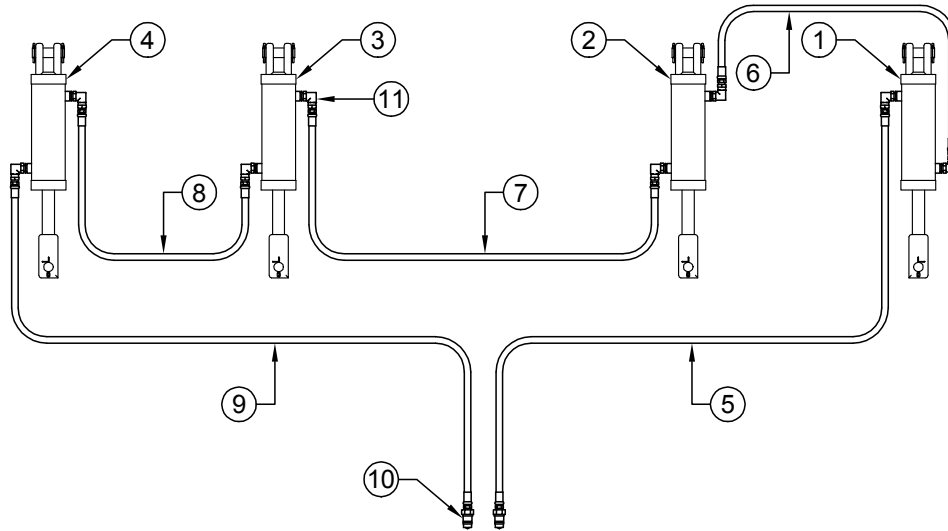
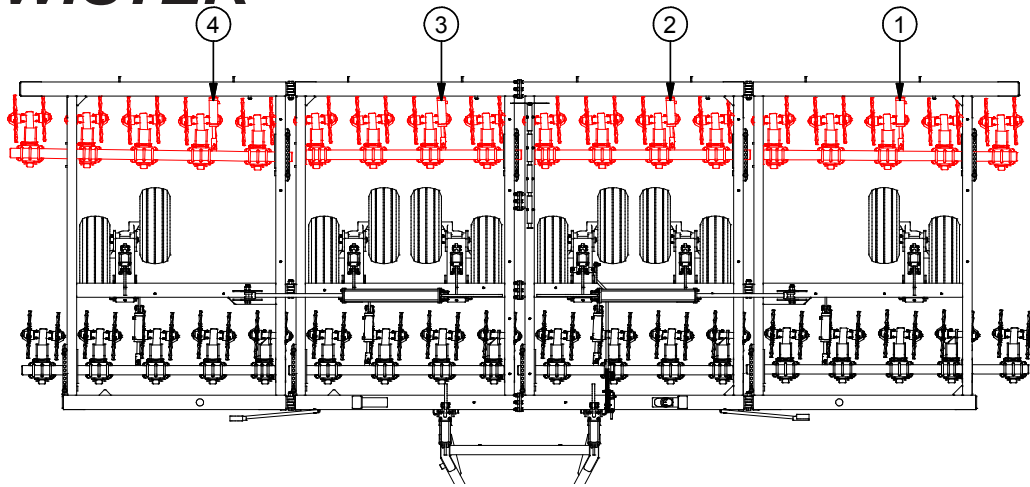
Item	Part #	Description	Seal Kit #
1	R1940806	Cylinder, Welded, Rephasing: 3-1/2" x 8" (658320)	KR100003
2	R1930805	Cylinder, Welded, Rephasing : 3-1/4" x 8" (647916)	KR100017
3	R1930804	Cylinder, Welded, Rephasing : 3" x 8" (647915)	KR100020
4	R1920802	Cylinder, Welded, Rephasing : 2-3/4" x 8" (647914)	KR100014
5	n/a	Hydraulic Hose: 3/8" x 432"	
6	n/a	Hydraulic Hose: 3/8" x 122"	
7	n/a	Hydraulic Hose: 3/8" x 116"	
8	n/a	Hydraulic Hose: 3/8" x 123"	
9	n/a	Hydraulic Hose: 3/8" x 466"	
10	R1802046	Tip, Quick Connect: #8 FPT	
11	R1802004	Elbow 90°: #8 MORB - #6 FPTX	

32' TWISTER



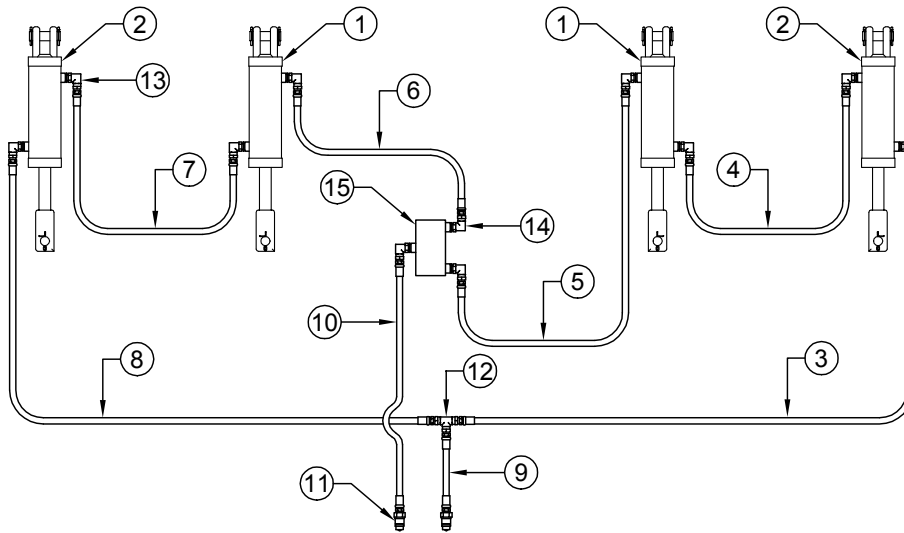
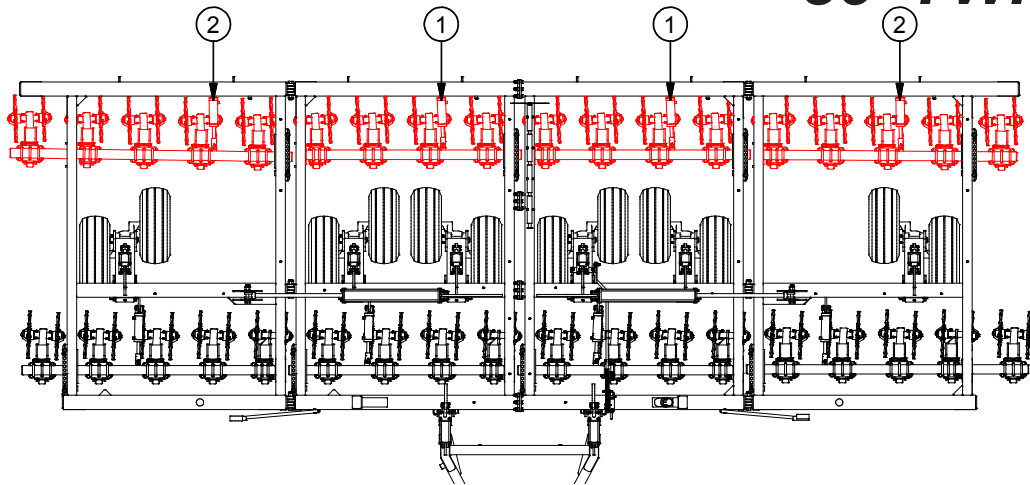
Item	Part #	Description	Seal Kit #
1	R1930805	Cylinder, Welded, Rephasing: 3-1/4" x 8" (647916)	KR100017
2	R1930804	Cylinder, Welded, Rephasing: 3" x 8" (647915)	KR100020
3	n/a	Hydraulic Hose: 3/8" x 144"	
4	n/a	Hydraulic Hose: 3/8" x 122"	
5	n/a	Hydraulic Hose: 3/8" x 52"	
6	n/a	Hydraulic Hose: 3/8" x 72"	
7	n/a	Hydraulic Hose: 3/8" x 123"	
8	n/a	Hydraulic Hose: 3/8" x 178"	
9	n/a	Hydraulic Hose: 3/8" x 306"	
10	n/a	Hydraulic Hose: 3/8" x 288"	
11	R1802046	Tip, Quick Connect: #8 FPT	
12	R1802053	Tee: #6 FPTX - #6 FPTX - #6 FPTX	
13	R1802004	Elbow 90°: #8 MORB - #6 FPTX	
14	R1802015	Elbow 90°: #10 MORB - #6 FPTX	
15	R1803002	Flow Divider: 2-Way	

36' TWISTER



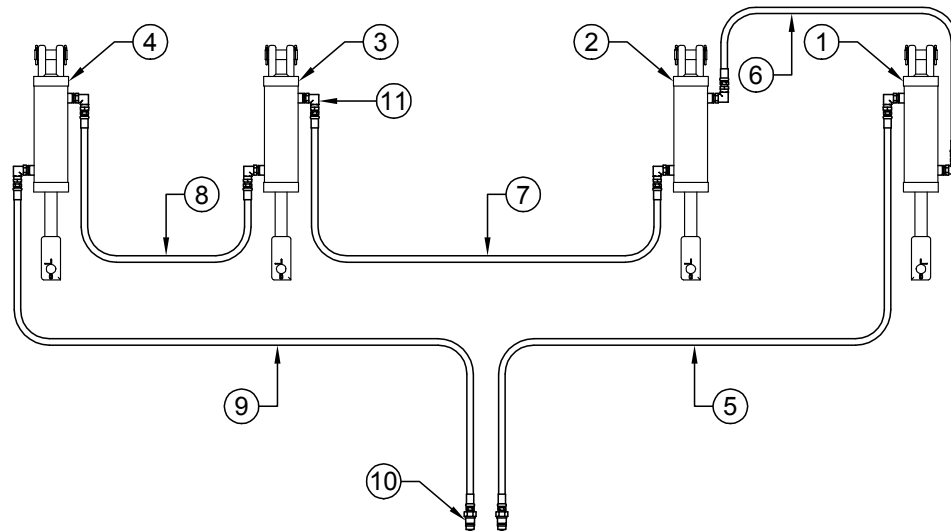
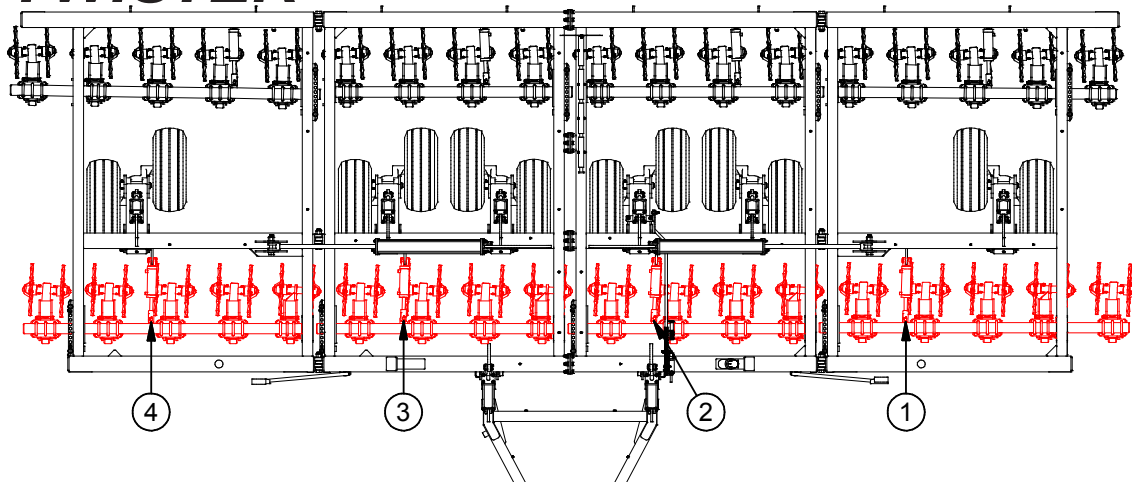
Item	Part #	Description	Seal Kit #
1	R1940806	Cylinder, Welded, Rephasing: 3-1/2" x 8" (658320)	KR100003
2	R1930805	Cylinder, Welded, Rephasing : 3-1/4" x 8" (647916)	KR100017
3	R1930804	Cylinder, Welded, Rephasing : 3" x 8" (647915)	KR100020
4	R1920802	Cylinder, Welded, Rephasing : 2-3/4" x 8" (647914)	KR100014
5	n/a	Hydraulic Hose: 3/8" x 584"	
6	n/a	Hydraulic Hose: 3/8" x 300"	
7	n/a	Hydraulic Hose: 3/8" x 306"	
8	n/a	Hydraulic Hose: 3/8" x 309"	
9	n/a	Hydraulic Hose: 3/8" x 500"	
10	R1802046	Tip, Quick Connect: #8 FPT	
11	R1802004	Elbow 90°: #8 MORB - #6 FPTX	

36' TWISTER



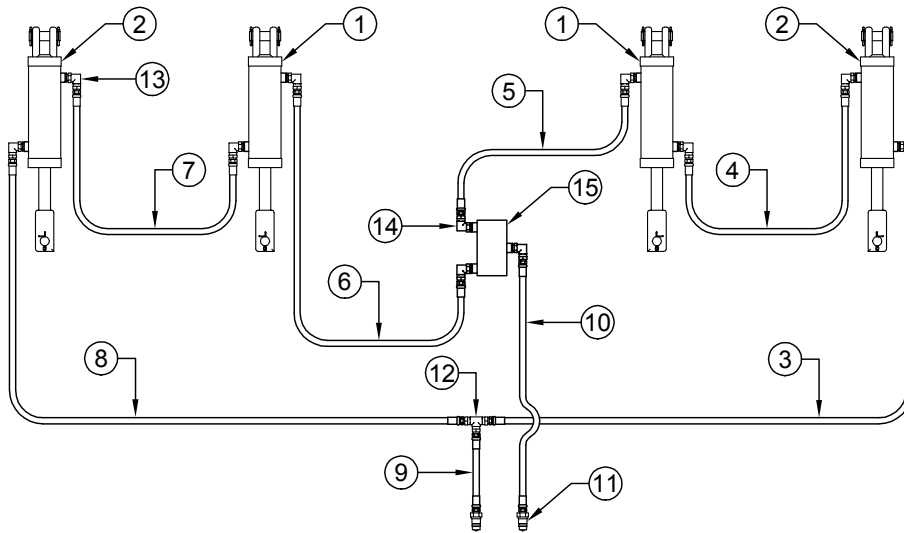
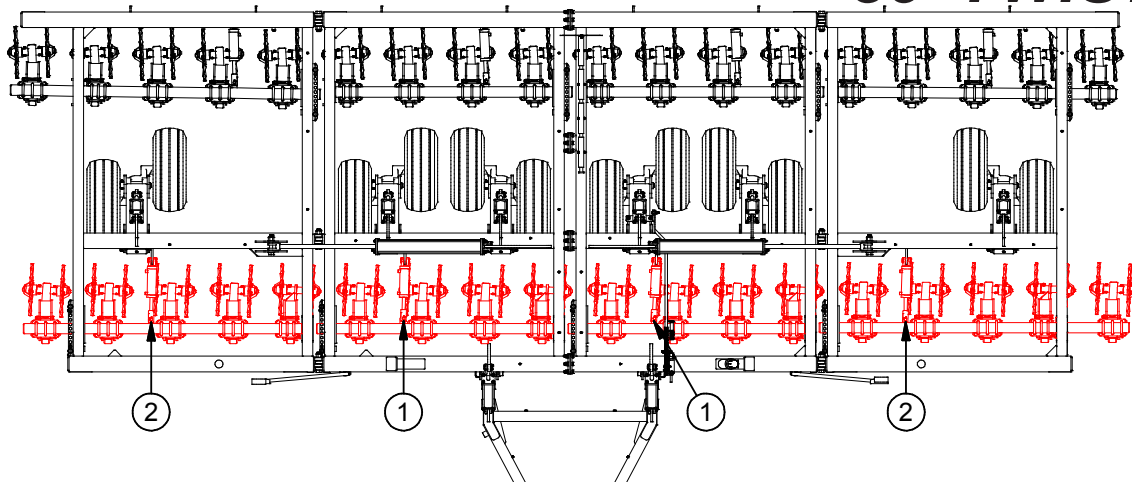
Item	Part #	Description	Seal Kit #
1	R1930805	Cylinder, Welded, Rephasing: 3-1/4" x 8" (647916)	KR100017
2	R1930804	Cylinder, Welded, Rephasing: 3" x 8" (647915)	KR100020
3	n/a	Hydraulic Hose: 3/8" x 293"	
4	n/a	Hydraulic Hose: 3/8" x 300"	
5	n/a	Hydraulic Hose: 3/8" x 196"	
6	n/a	Hydraulic Hose: 3/8" x 130"	
7	n/a	Hydraulic Hose: 3/8" x 309"	
8	n/a	Hydraulic Hose: 3/8" x 204"	
9	n/a	Hydraulic Hose: 3/8" x 306"	
10	n/a	Hydraulic Hose: 3/8" x 288"	
11	R1802046	Tip, Quick Connect: #8 FPT	
12	R1802053	Tee: #6 FPTX - #6 FPTX - #6 FPTX	
13	R1802004	Elbow 90°: #8 MORB - #6 FPTX	
14	R1802015	Elbow 90°: #10 MORB - #6 FPTX	
15	R1803002	Flow Divider: 2-Way	

36' TWISTER



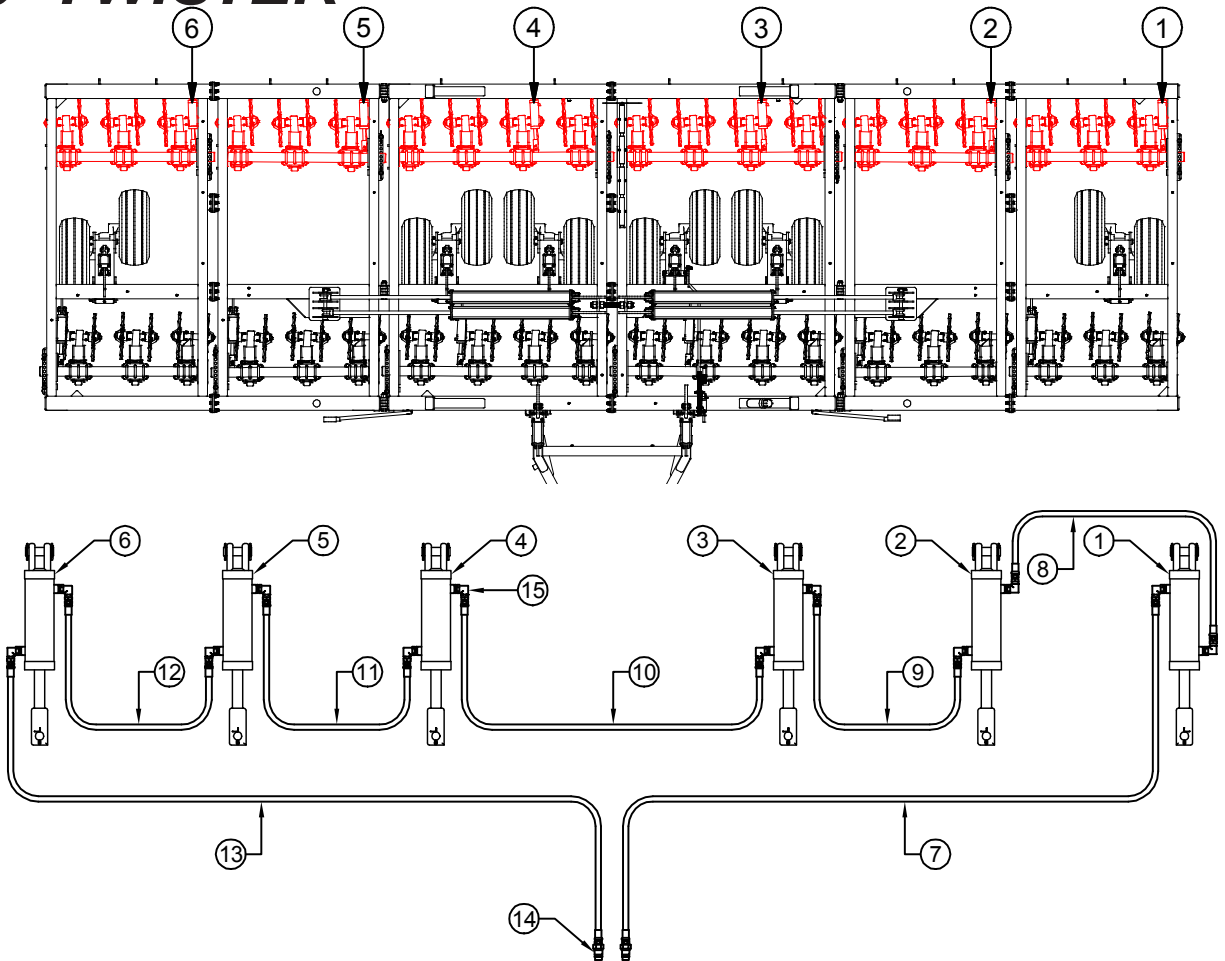
Item	Part #	Description	Seal Kit #
1	R1940806	Cylinder, Welded, Rephasing: 3-1/2" x 8" (658320)	KR100003
2	R1930805	Cylinder, Welded, Rephasing : 3-1/4" x 8" (647916)	KR100017
3	R1930804	Cylinder, Welded, Rephasing : 3" x 8" (647915)	KR100020
4	R1920802	Cylinder, Welded, Rephasing : 2-3/4" x 8" (647914)	KR100014
5	n/a	Hydraulic Hose: 3/8" x 432"	
6	n/a	Hydraulic Hose: 3/8" x 122"	
7	n/a	Hydraulic Hose: 3/8" x 116"	
8	n/a	Hydraulic Hose: 3/8" x 123"	
9	n/a	Hydraulic Hose: 3/8" x 466"	
10	R1802046	Tip, Quick Connect: #8 FPT	
11	R1802004	Elbow 90°: #8 MORB - #6 FPTX	

36' TWISTER



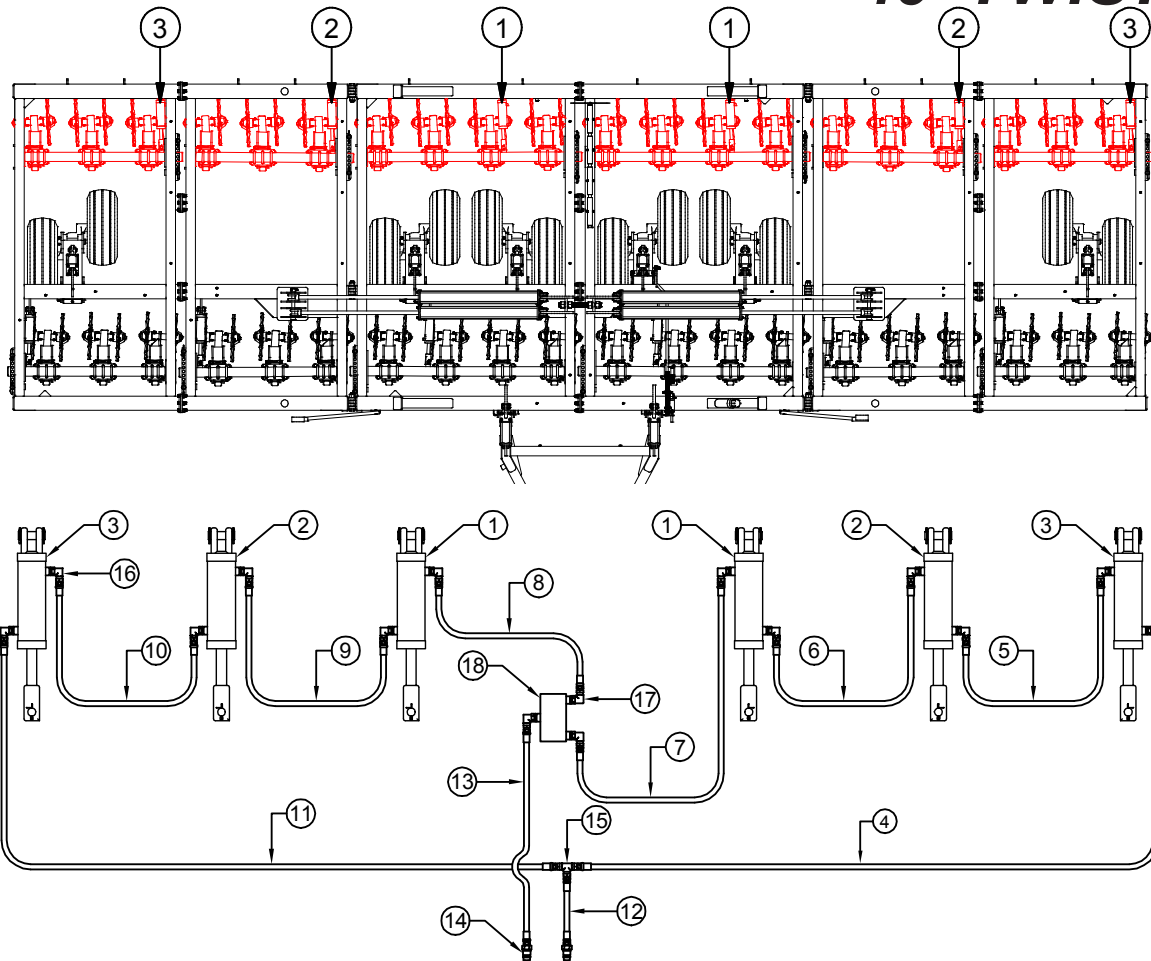
Item	Part #	Description	Seal Kit #
1	R1930805	Cylinder, Welded, Rephasing: 3-1/4" x 8" (647916)	KR100017
2	R1930804	Cylinder, Welded, Rephasing: 3" x 8" (647915)	KR100020
3	n/a	Hydraulic Hose: 3/8" x 144"	
4	n/a	Hydraulic Hose: 3/8" x 122"	
5	n/a	Hydraulic Hose: 3/8" x 52"	
6	n/a	Hydraulic Hose: 3/8" x 72"	
7	n/a	Hydraulic Hose: 3/8" x 123"	
8	n/a	Hydraulic Hose: 3/8" x 178"	
9	n/a	Hydraulic Hose: 3/8" x 306"	
10	n/a	Hydraulic Hose: 3/8" x 288"	
11	R1802046	Tip, Quick Connect: #8 FPT	
12	R1802053	Tee: #6 FPTX - #6 FPTX - #6 FPTX	
13	R1802004	Elbow 90°: #8 MORB - #6 FPTX	
14	R1802015	Elbow 90°: #10 MORB - #6 FPTX	
15	R1803002	Flow Divider: 2-Way	

40' TWISTER



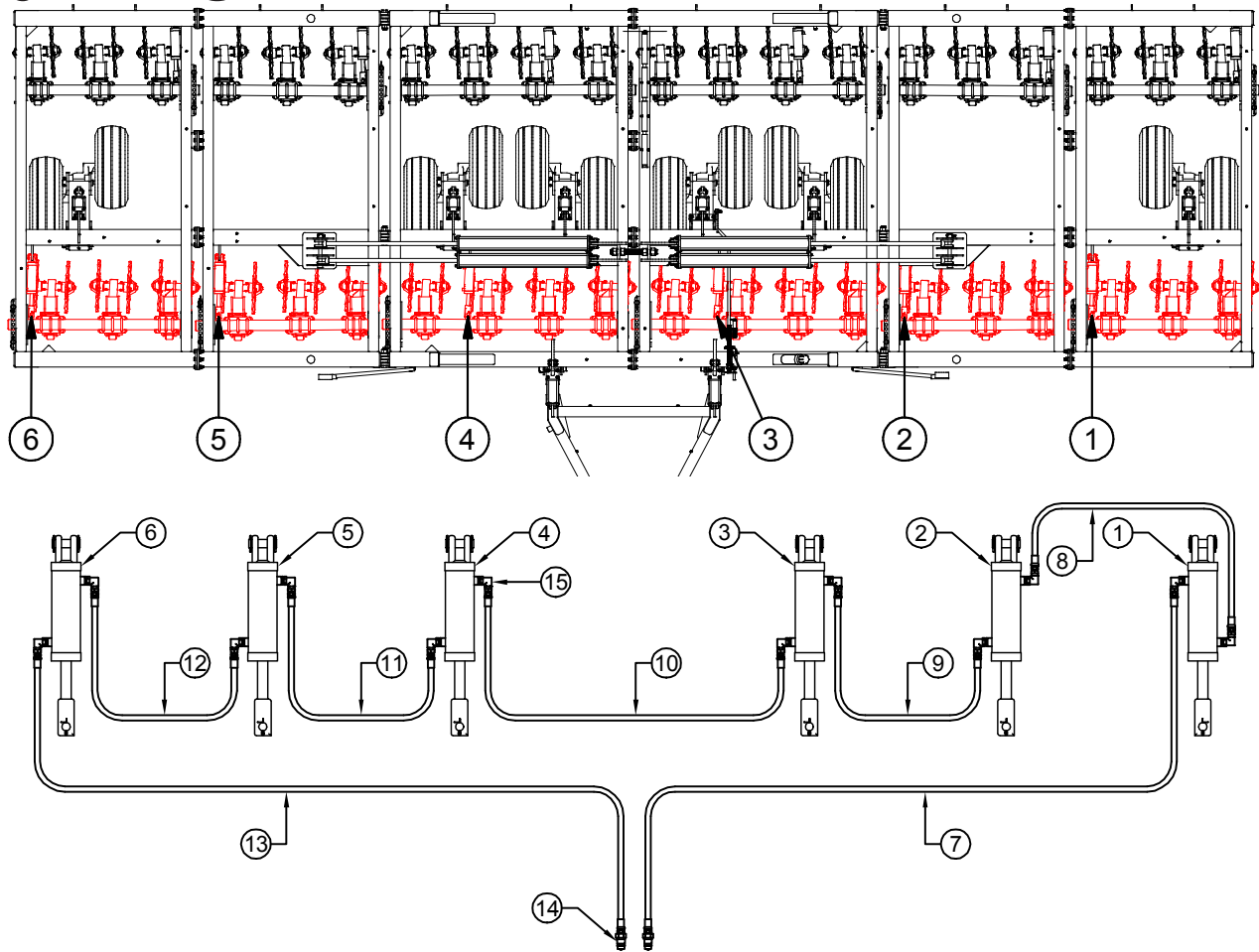
Item	Part #	Description	Seal Kit #
1	R1940809	Cylinder, Welded, Rephasing: 3-3/4" x 8" (658321)	KR100006
2	R1940806	Cylinder, Welded, Rephasing: 3-1/2" x 8" (658320)	KR100003
3	R1930805	Cylinder, Welded, Rephasing : 3-1/4" x 8" (647916)	KR100017
4	R1930804	Cylinder, Welded, Rephasing : 3" x 8" (647915)	KR100020
5	R1920802	Cylinder, Welded, Rephasing : 2-3/4" x 8" (647914)	KR100014
6	R1920801	Cylinder, Welded, Rephasing : 2-1/2" x 8" (658319)	KR100016
7	n/a	Hydraulic Hose: 3/8" x 628"	
8	n/a	Hydraulic Hose: 3/8" x 245"	
9	n/a	Hydraulic Hose: 3/8" x 259"	
10	n/a	Hydraulic Hose: 3/8" x 306"	
11	n/a	Hydraulic Hose: 3/8" x 286"	
12	n/a	Hydraulic Hose: 3/8" x 246"	
13	n/a	Hydraulic Hose: 3/8" x 566"	
14	R1802046	Tip, Quick Connect: #8 FPT	
15	R1802004	Elbow 90°: #8 MORB - #6 FPTX	

40' TWISTER



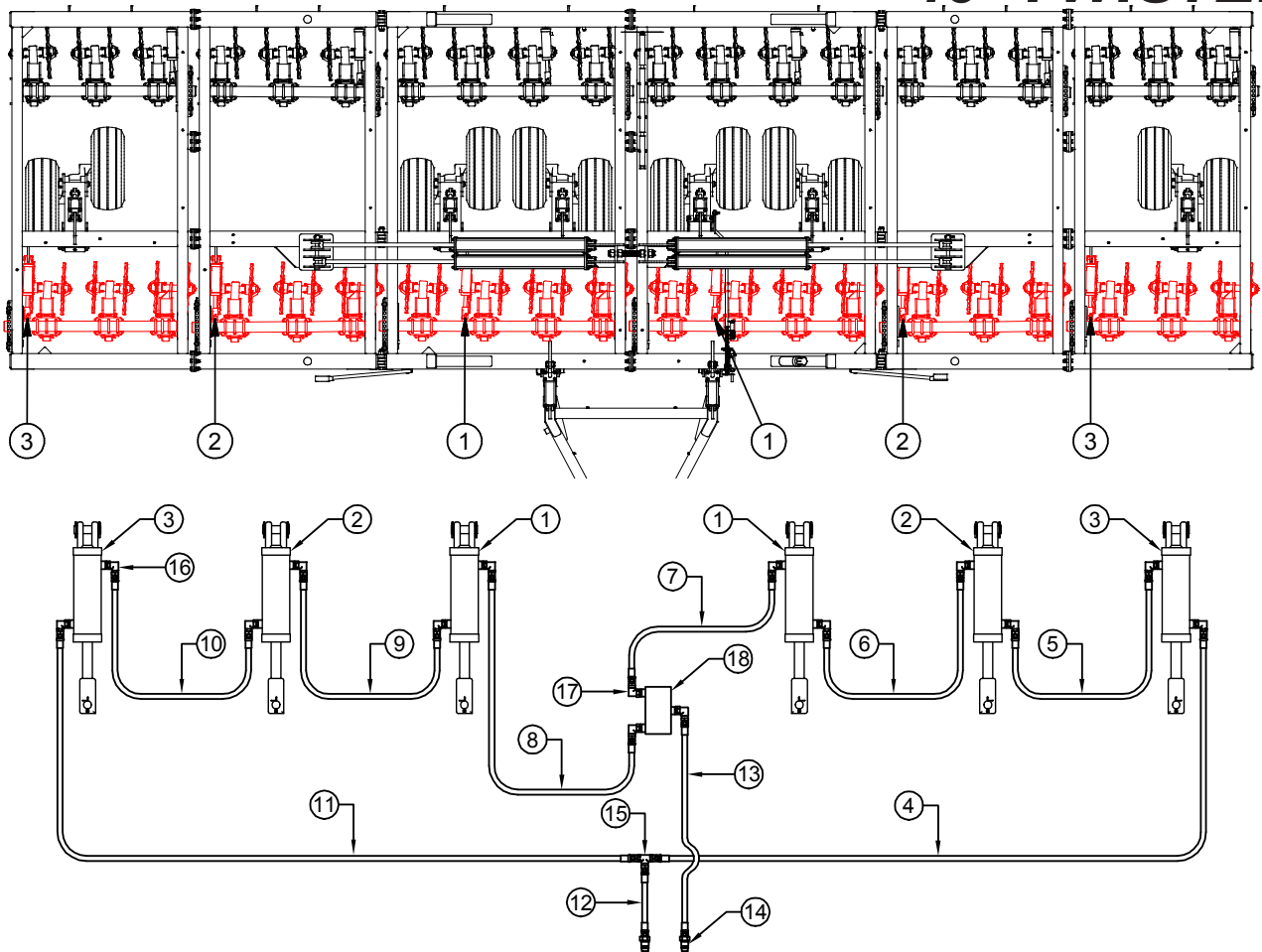
Item	Part #	Description	Seal Kit #
1	R1930805	Cylinder, Welded, Rephasing: 3-1/4" x 8" (647916)	KR100017
2	R1930804	Cylinder, Welded, Rephasing: 3" x 8" (647915)	KR100020
3	R1920802	Cylinder, Welded, Rephasing: 2-3/4" x 8" (647914)	KR100014
4	n/a	Hydraulic Hose: 3/8" x 322"	
5	n/a	Hydraulic Hose: 3/8" x 245"	
6	n/a	Hydraulic Hose: 3/8" x 259"	
7	n/a	Hydraulic Hose: 3/8" x 206"	
8	n/a	Hydraulic Hose: 3/8" x 130"	
9	n/a	Hydraulic Hose: 3/8" x 286"	
10	n/a	Hydraulic Hose: 3/8" x 246"	
11	n/a	Hydraulic Hose: 3/8" x 260"	
12	n/a	Hydraulic Hose: 3/8" x 306"	
13	n/a	Hydraulic Hose: 3/8" x 288"	
14	R1802046	Tip, Quick Connect: #8 FPT	
15	R1802053	Tee: #6 FPTX - #6 FPTX - #6 FPTX	
16	R1802004	Elbow 90°: #8 MORB - #6 FPTX	
17	R1802015	Elbow 90°: #10 MORB - #6 FPTX	
18	R1803002	Flow Divider: 2-Way	

40' TWISTER



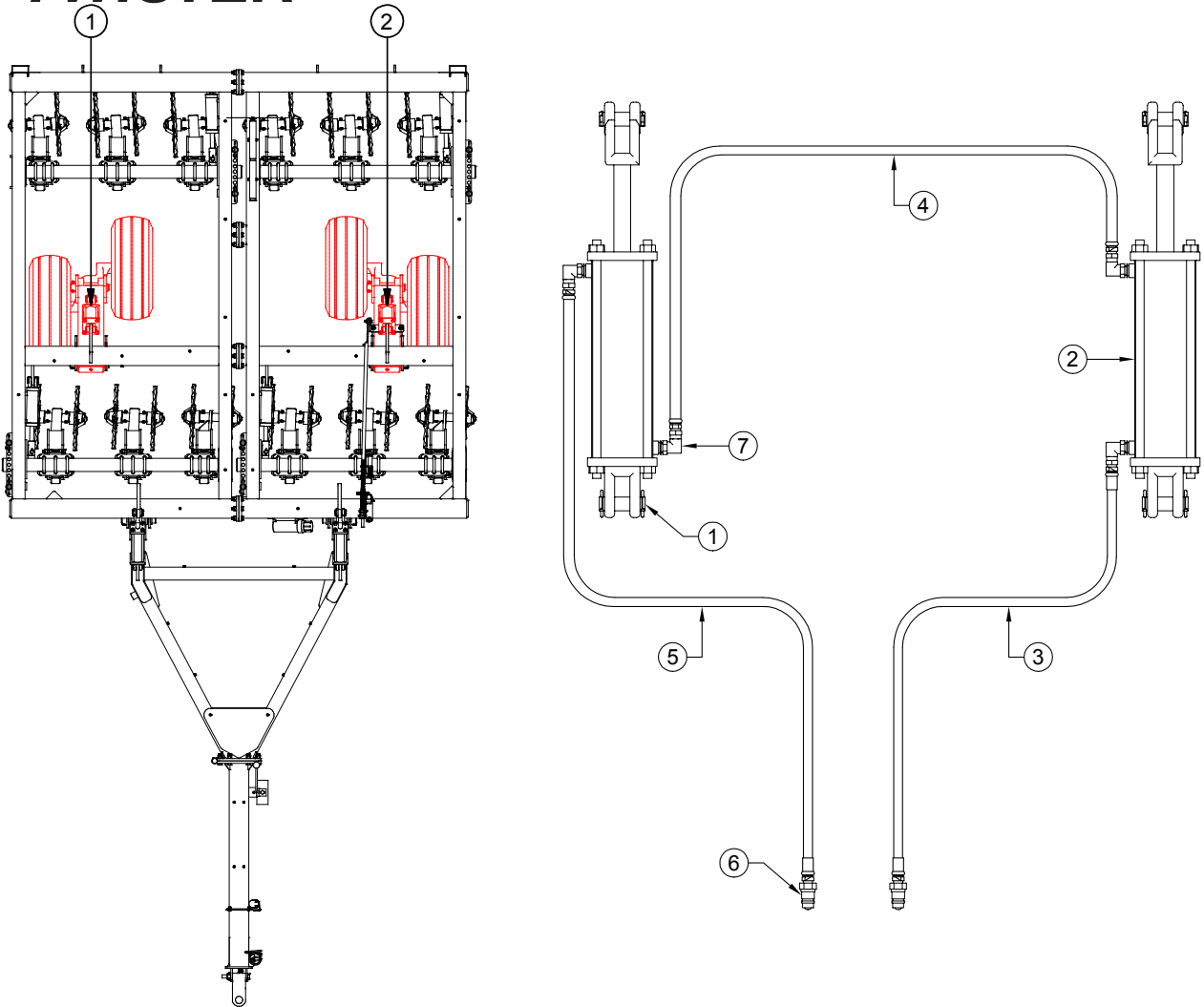
Item	Part #	Description	Seal Kit #
1	R1940809	Cylinder, Welded, Rephasing: 3-3/4" x 8" (658321)	KR100006
2	R1940806	Cylinder, Welded, Rephasing: 3-1/2" x 8" (658320)	KR100003
3	R1930805	Cylinder, Welded, Rephasing : 3-1/4" x 8" (647916)	KR100017
4	R1930804	Cylinder, Welded, Rephasing : 3" x 8" (647915)	KR100020
5	R1920802	Cylinder, Welded, Rephasing : 2-3/4" x 8" (647914)	KR100014
6	R1920801	Cylinder, Welded, Rephasing : 2-1/2" x 8" (658319)	KR100016
7	n/a	Hydraulic Hose: 3/8" x 504"	
8	n/a	Hydraulic Hose: 3/8" x 106"	
9	n/a	Hydraulic Hose: 3/8" x 104"	
10	n/a	Hydraulic Hose: 3/8" x 112"	
11	n/a	Hydraulic Hose: 3/8" x 120"	
12	n/a	Hydraulic Hose: 3/8" x 104"	
13	n/a	Hydraulic Hose: 3/8" x 552"	
14	R1802046	Tip, Quick Connect: #8 FPT	
15	R1802004	Elbow 90°: #8 MORB - #6 FPTX	

40' TWISTER



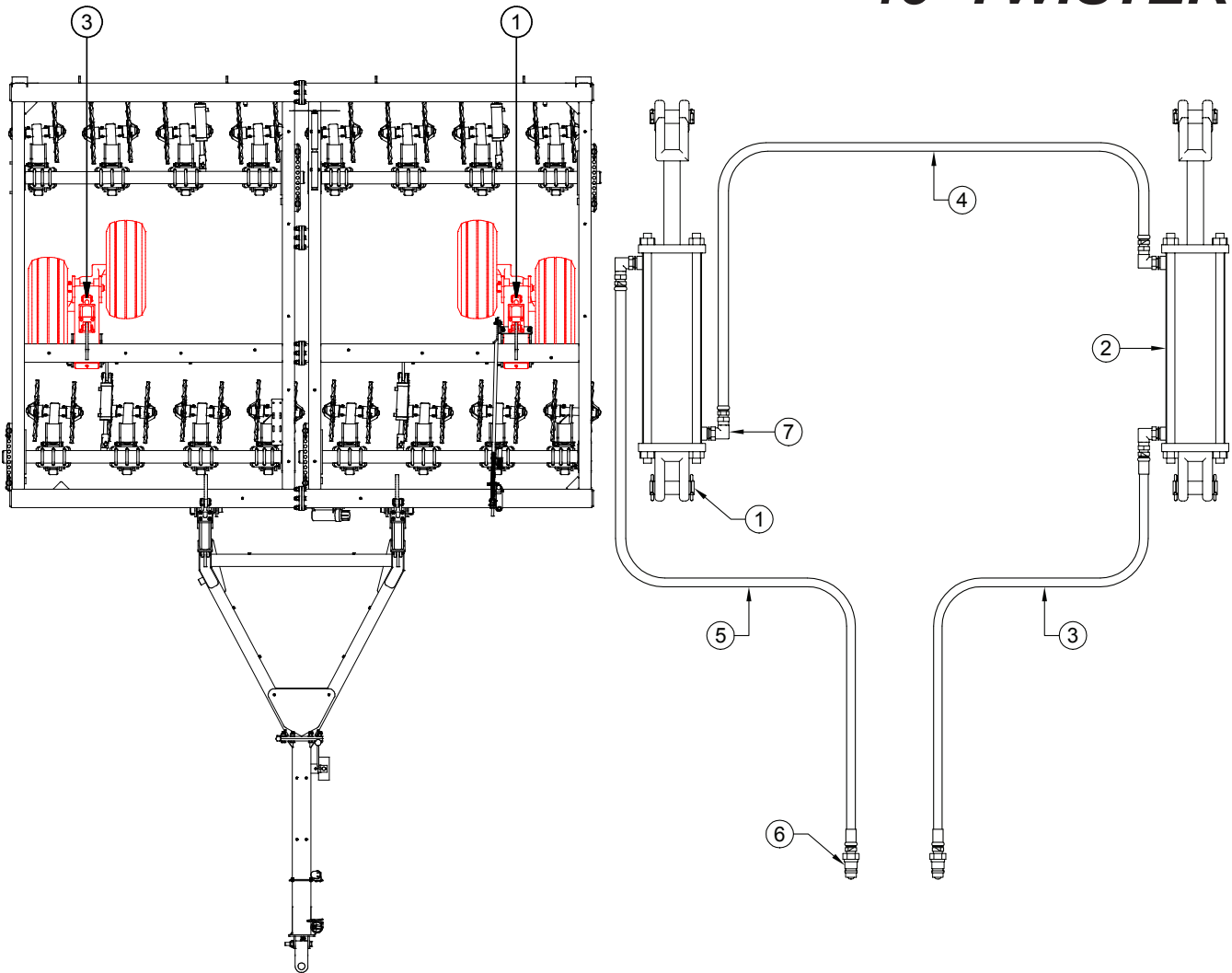
Item	Part #	Description	Seal Kit #
1	R1930805	Cylinder, Welded, Rephasing: 3-1/4" x 8" (647916)	KR100017
2	R1930804	Cylinder, Welded, Rephasing: 3" x 8" (647915)	KR100020
3	R1920802	Cylinder, Welded, Rephasing: 2-3/4" x 8" (647914)	KR100014
4	n/a	Hydraulic Hose: 3/8" x 197"	
5	n/a	Hydraulic Hose: 3/8" x 109"	
6	n/a	Hydraulic Hose: 3/8" x 108"	
7	n/a	Hydraulic Hose: 3/8" x 206"	
8	n/a	Hydraulic Hose: 3/8" x 130"	
9	n/a	Hydraulic Hose: 3/8" x 286"	
10	n/a	Hydraulic Hose: 3/8" x 246"	
11	n/a	Hydraulic Hose: 3/8" x 260"	
12	n/a	Hydraulic Hose: 3/8" x 306"	
13	n/a	Hydraulic Hose: 3/8" x 288"	
14	R1802046	Tip, Quick Connect: #8 FPT	
15	R1802053	Tee: #6 FPTX - #6 FPTX - #6 FPTX	
16	R1802004	Elbow 90°: #8 MORB - #6 FPTX	
17	R1802015	Elbow 90°: #10 MORB - #6 FPTX	
18	R1803002	Flow Divider: 2-Way	

12' TWISTER



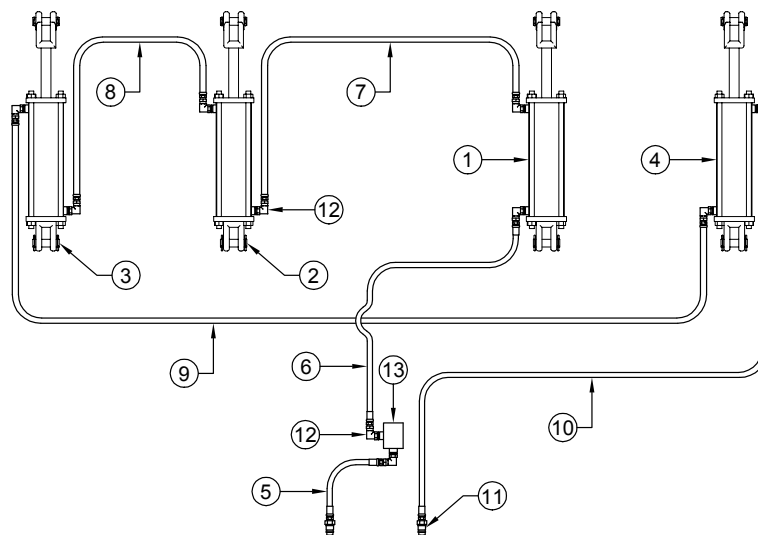
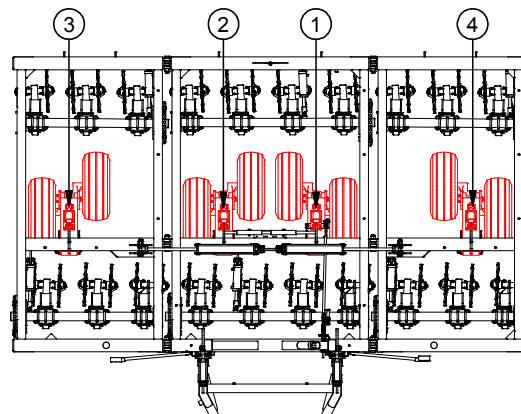
Item	Part #	Description	Seal Kit #
1 a)	R1941206	Cylinder, Welded, Rephasing: 4" x 12" (659220)	KR100024
1 b)	R1941204	Cylinder, Tie-Rod, Rephasing: 4" x 12" (670348)	KR100008
2 a)	R1931205	Cylinder, Welded, Rephasing: 3-3/4" x 12" (659221)	KR100006
2 b)	R1931202	Cylinder, Tie-Rod, Rephasing: 3-3/4" x 12" (670347)	KR100005
3	n/a	Hydraulic Hose: 3/8" x 402"	
4	n/a	Hydraulic Hose: 3/8" x 192"	
5	n/a	Hydraulic Hose: 3/8" x 390"	
6	R1802046	Tip, Quick Connect: #8 FPT	
7	R1802004	Elbow 90°: #8 MORB - #6 FPTX	

16' TWISTER



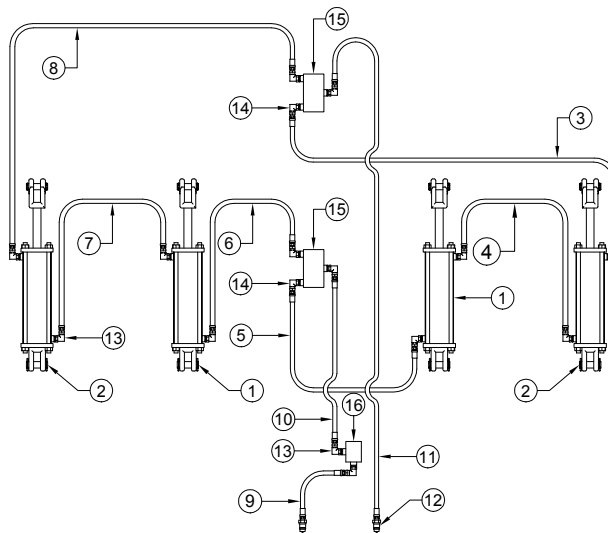
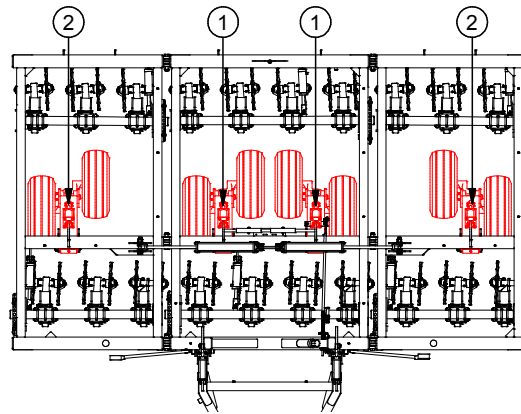
Item	Part #	Description	Seal Kit #
1 a)	R1941206	Cylinder, Welded, Rephasing: 4" x 12" (659220)	KR100024
1 b)	R1941204	Cylinder, Tie-Rod, Rephasing : 4" x 12' (670348)	KR100008
2 a)	R1931205	Cylinder, Welded, Rephasing: 3-3/4" x 12" (659221)	KR100006
2 b)	R1931202	Cylinder, Tie-Rod, Rephasing : 3-3/4" x 12" (670347)	KR100005
3	n/a	Hydraulic Hose: 3/8" x 402"	
4	n/a	Hydraulic Hose: 3/8" x 192"	
5	n/a	Hydraulic Hose: 3/8" x 390"	
6	R1802046	Tip, Quick Connect: #8 FPT	
7	R1802004	Elbow 90°: #8 MORB - #6 FPTX	

20' TWISTER



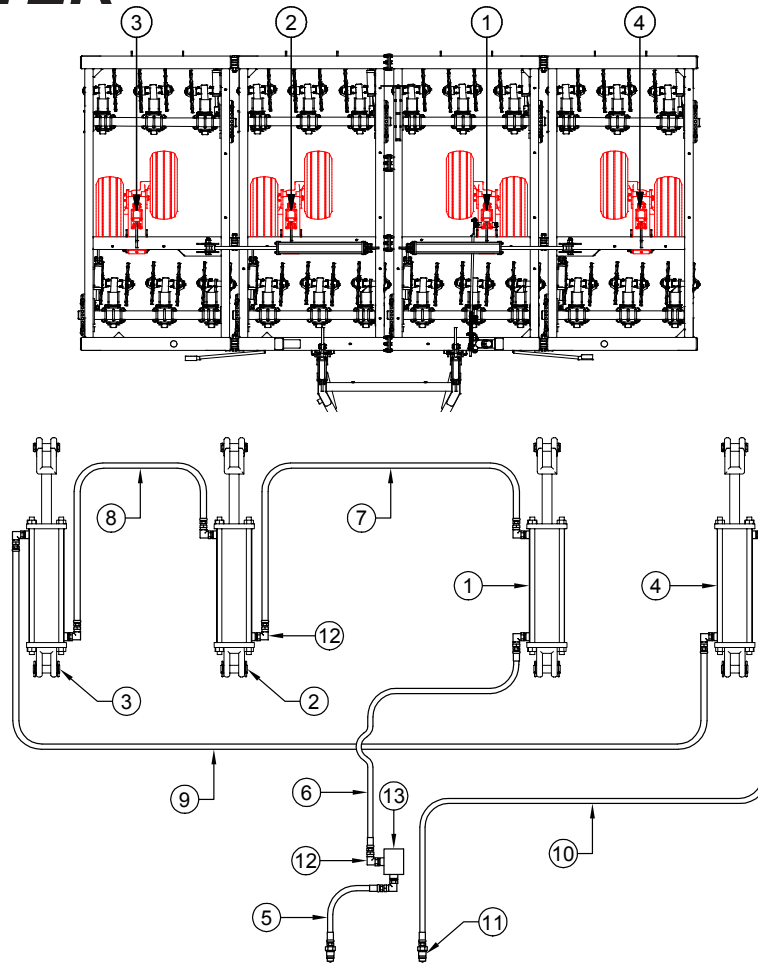
Item	Part #	Description	Seal Kit #
1 a)	R1941204	Cylinder, Welded, Rephasing: 4" x 12" (659220)	KR100024
1 b)	n/a	Cylinder, Tie-Rod, Rephasing: 4" x 12" (670348)	KR100008
2 a)	R1931202	Cylinder, Welded, Rephasing: 3-3/4" x 12" (659221)	KR100006
2 b)	n/a	Cylinder, Tie-Rod, Rephasing: 3-3/4" x 12" (670347)	KR100005
3 a)	R1931201	Cylinder, Welded, Rephasing: 3-1/2" x 12" (659222)	KR100003
3 b)	n/a	Cylinder, Tie-Rod, Rephasing: 3-1/2" x 12" (670346)	KR100015
4 a)	R1931200	Cylinder, Welded, Rephasing: 3-1/4" x 12" (659223)	KR100017
4 b)	n/a	Cylinder, Tie-Rod, Rephasing: 3-1/4" x 12" (661852)	KR100010
5	n/a	Hydraulic Hose: 3/8" x 288"	
6	n/a	Hydraulic Hose: 3/8" x 224"	
7	n/a	Hydraulic Hose: 3/8" x 60"	
8	n/a	Hydraulic Hose: 3/8" x 105"	
9	n/a	Hydraulic Hose: 3/8" x 210"	
10	n/a	Hydraulic Hose: 3/8" x 432"	
11	R1802046	Tip, Quick Connect: #8 FPT	
12	R1802004	Elbow 90°: #8 MORB - #6 FPTX	
13	R1803001	Valve, Depth Control	

20' TWISTER



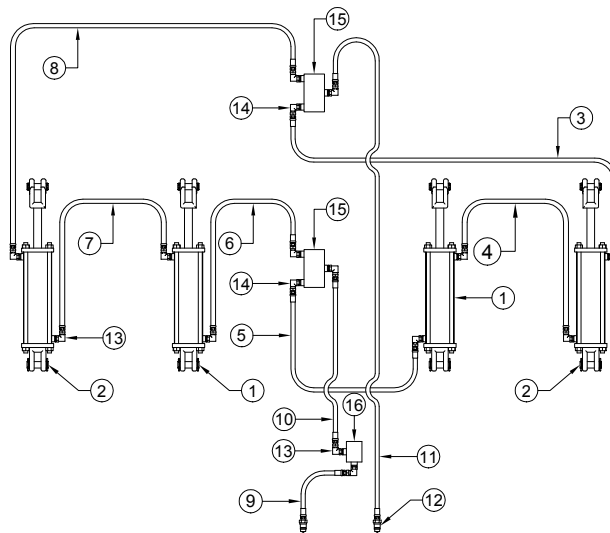
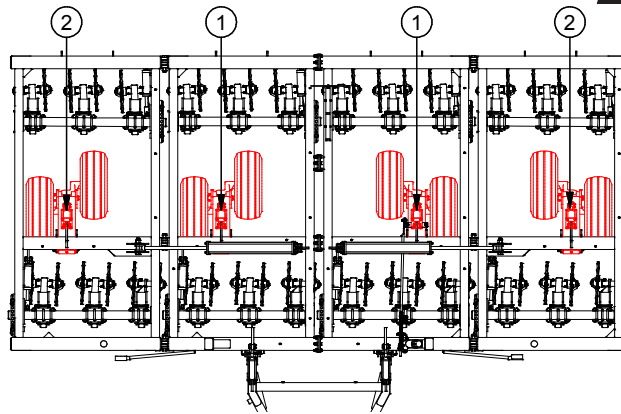
Item	Part #	Description	Seal Kit #
1 a)	R1941204	Cylinder, Welded, Rephasing: 4" x 12" (659220)	KR100024
1 b)	n/a	Cylinder, Tie-Rod, Rephasing : 4" x 12' (670348)	KR100008
2 a)	R1931202	Cylinder, Welded, Rephasing: 3-3/4" x 12" (659221)	KR100006
2 b)	n/a	Cylinder, Tie-Rod, Rephasing : 3-3/4" x 12" (670347)	KR100005
3	n/a	Hydraulic Hose: 3/8" x 105"	
4	n/a	Hydraulic Hose: 3/8" x 105"	
5	n/a	Hydraulic Hose: 3/8" x 28"	
6	n/a	Hydraulic Hose: 3/8" x 24"	
7	n/a	Hydraulic Hose: 3/8" x 105"	
8	n/a	Hydraulic Hose: 3/8" x 105"	
9	n/a	Hydraulic Hose: 3/8" x 288"	
10	n/a	Hydraulic Hose: 3/8" x 192"	
11	n/a	Hydraulic Hose: 3/8" x 324"	
12	R1802046	Tip, Quick Connect: #8 FPT	
13	R1802004	Elbow 90°: #8 MORB - #6 FPTX	
14	R1802050	Elbow 90°: #10 MORB - #6 FPTX	
15	R1803002	Flow Divider: 2-Way	
16	R1803001	Valve, Depth Control	

24' TWISTER



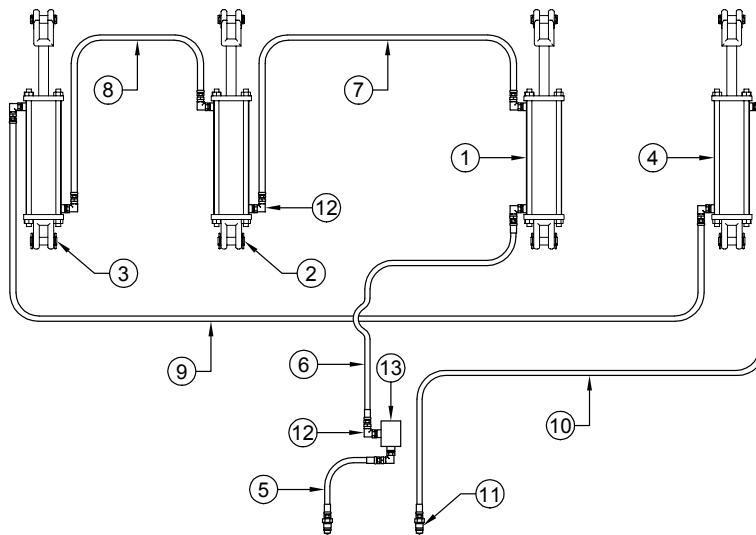
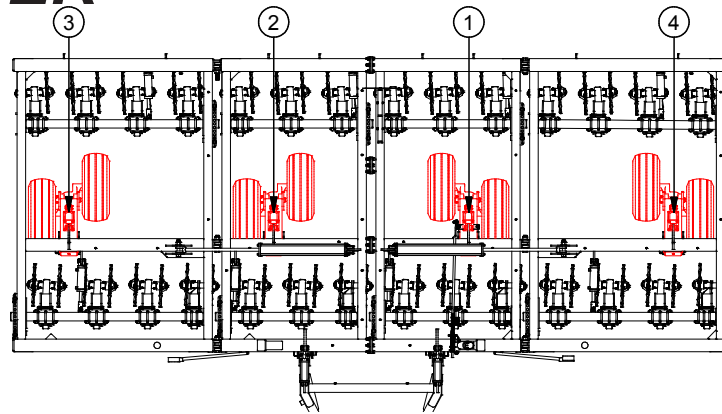
Item	Part #	Description	Seal Kit #
1 a)	R1941204	Cylinder, Welded, Rephasing: 4" x 12" (659220)	KR100024
1 b)	n/a	Cylinder, Tie-Rod, Rephasing: 4" x 12" (670348)	KR100008
2 a)	R1931202	Cylinder, Welded, Rephasing: 3-3/4" x 12" (659221)	KR100006
2 b)	n/a	Cylinder, Tie-Rod, Rephasing: 3-3/4" x 12" (670347)	KR100005
3 a)	R1931201	Cylinder, Welded, Rephasing: 3-1/2" x 12" (659222)	KR100003
3 b)	n/a	Cylinder, Tie-Rod, Rephasing: 3-1/2" x 12" (670346)	KR100015
4 a)	R1931200	Cylinder, Welded, Rephasing: 3-1/4" x 12" (659223)	KR100017
4 b)	n/a	Cylinder, Tie-Rod, Rephasing: 3-1/4" x 12" (661852)	KR100010
5	n/a	Hydraulic Hose: 3/8" x 246"	
6	n/a	Hydraulic Hose: 3/8" x 138"	
7	n/a	Hydraulic Hose: 3/8" x 100"	
8	n/a	Hydraulic Hose: 3/8" x 101"	
9	n/a	Hydraulic Hose: 3/8" x 264"	
10	n/a	Hydraulic Hose: 3/8" x 438"	
11	R1802046	Tip, Quick Connect: #8 FPT	
12	R1802004	Elbow 90°: #8 MORB - #6 FPTX	
13	R1803001	Valve, Depth Control	

24' TWISTER



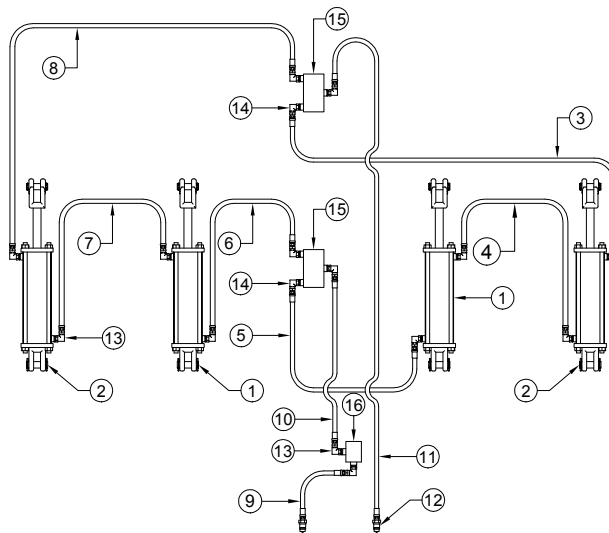
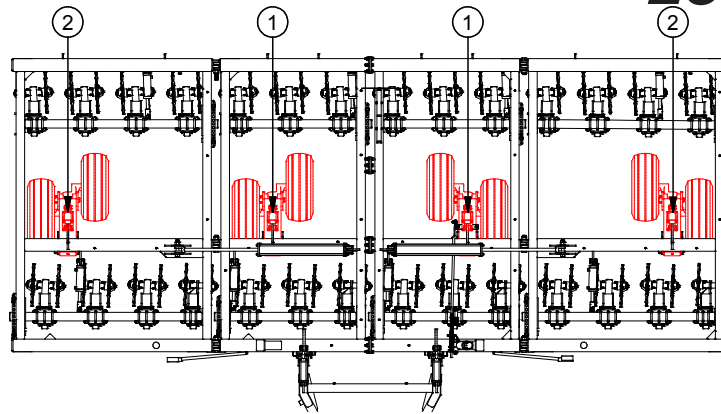
Item	Part #	Description	Seal Kit #
1 a)	R1941204	Cylinder, Welded, Rephasing: 4" x 12" (659220)	KR100024
1 b)	n/a	Cylinder, Tie-Rod, Rephasing : 4" x 12' (670348)	KR100008
2 a)	R1931202	Cylinder, Welded, Rephasing: 3-3/4" x 12" (659221)	KR100006
2 b)	n/a	Cylinder, Tie-Rod, Rephasing : 3-3/4" x 12" (670347)	KR100005
3	n/a	Hydraulic Hose: 3/8" x 137"	
4	n/a	Hydraulic Hose: 3/8" x 101"	
5	n/a	Hydraulic Hose: 3/8" x 65"	
6	n/a	Hydraulic Hose: 3/8" x 58"	
7	n/a	Hydraulic Hose: 3/8" x 101"	
8	n/a	Hydraulic Hose: 3/8" x 137"	
9	n/a	Hydraulic Hose: 3/8" x 246"	
10	n/a	Hydraulic Hose: 3/8" x 96"	
11	n/a	Hydraulic Hose: 3/8" x 324"	
12	R1802046	Tip, Quick Connect: #8 FPT	
13	R1802004	Elbow 90°: #8 MORB - #6 FPTX	
14	R1802050	Elbow 90°: #10 MORB - #6 FPTX	
15	R1803002	Flow Divider: 2-Way	
16	R1803001	Valve, Depth Control	

28' TWISTER



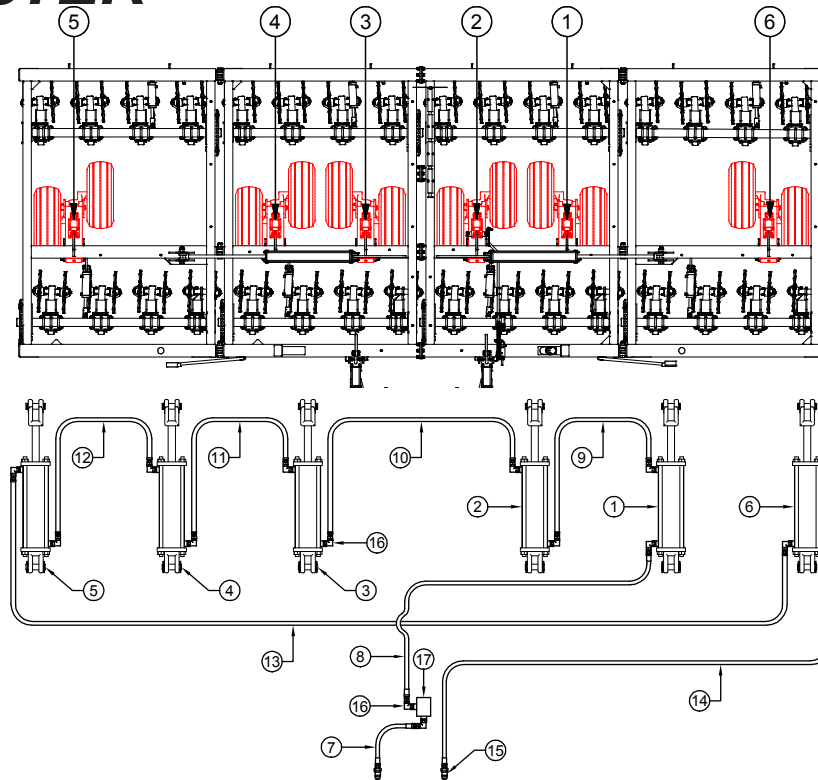
Item	Part #	Description	Seal Kit #
1 a)	R1941204	Cylinder, Welded, Rephasing: 4" x 12" (659220)	KR100024
1 b)	n/a	Cylinder, Tie-Rod, Rephasing: 4" x 12" (670348)	KR100008
2 a)	R1931202	Cylinder, Welded, Rephasing: 3-3/4" x 12" (659221)	KR100006
2 b)	n/a	Cylinder, Tie-Rod, Rephasing: 3-3/4" x 12" (670347)	KR100005
3 a)	R1931201	Cylinder, Welded, Rephasing: 3-1/2" x 12" (659222)	KR100003
3 b)	n/a	Cylinder, Tie-Rod, Rephasing: 3-1/2" x 12" (670346)	KR100015
4 a)	R1931200	Cylinder, Welded, Rephasing: 3-1/4" x 12" (659223)	KR100017
4 b)	n/a	Cylinder, Tie-Rod, Rephasing: 3-1/4" x 12" (661852)	KR100010
5	n/a	Hydraulic Hose: 3/8" x 264"	
6	n/a	Hydraulic Hose: 3/8" x 138"	
7	n/a	Hydraulic Hose: 3/8" x 100"	
8	n/a	Hydraulic Hose: 3/8" x 125"	
9	n/a	Hydraulic Hose: 3/8" x 300"	
10	n/a	Hydraulic Hose: 3/8" x 460"	
11	R1802046	Tip, Quick Connect: #8 FPT	
12	R1802004	Elbow 90°: #8 MORB - #6 FPTX	
13	R1803001	Valve, Depth Control	

28' TWISTER



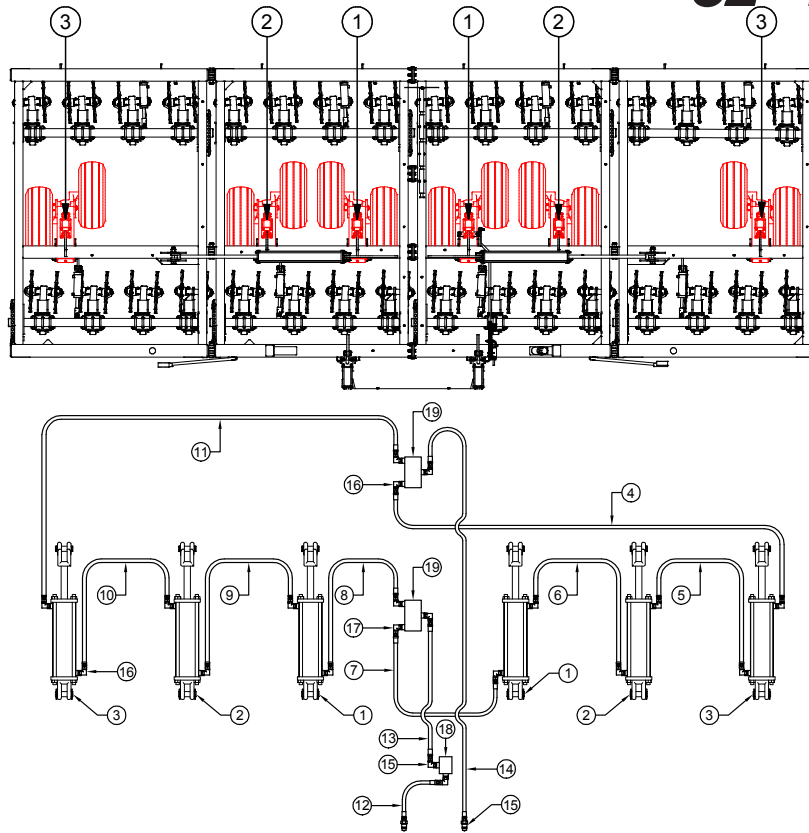
Item	Part #	Description	Seal Kit #
1 a)	R1941204	Cylinder, Welded, Rephasing: 4" x 12" (659220)	KR100024
1 b)	n/a	Cylinder, Tie-Rod, Rephasing : 4" x 12' (670348)	KR100008
2 a)	R1931202	Cylinder, Welded, Rephasing: 3-3/4" x 12" (659221)	KR100006
2 b)	n/a	Cylinder, Tie-Rod, Rephasing : 3-3/4" x 12" (670347)	KR100005
3	n/a	Hydraulic Hose: 3/8" x 162"	
4	n/a	Hydraulic Hose: 3/8" x 125"	
5	n/a	Hydraulic Hose: 3/8" x 68"	
6	n/a	Hydraulic Hose: 3/8" x 57"	
7	n/a	Hydraulic Hose: 3/8" x 125"	
8	n/a	Hydraulic Hose: 3/8" x 162"	
9	n/a	Hydraulic Hose: 3/8" x 264"	
10	n/a	Hydraulic Hose: 3/8" x 96"	
11	n/a	Hydraulic Hose: 3/8" x 312"	
12	R1802046	Tip, Quick Connect: #8 FPT	
13	R1802004	Elbow 90°: #8 MORB - #6 FPTX	
14	R1802050	Elbow 90°: #10 MORB - #6 FPTX	
15	R1803002	Flow Divider: 2-Way	
16	R1803001	Valve, Depth Control	

32' TWISTER



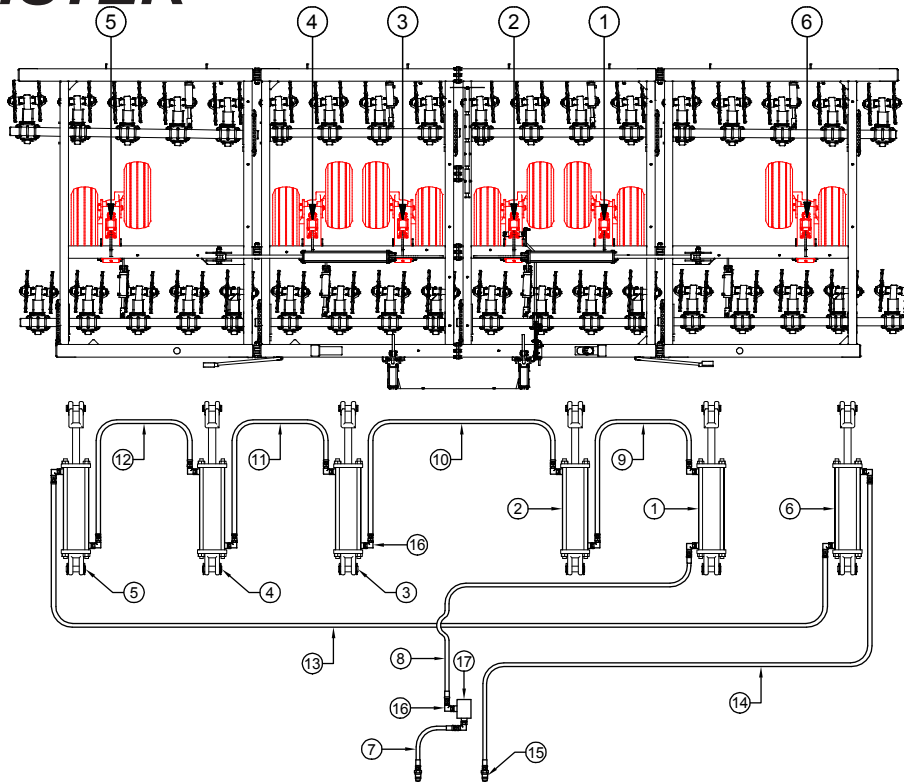
Item	Part #	Description	Seal Kit #
1 a)	R1941204	Cylinder, Welded, Rephasing: 4-1/2" x 12" (659218)	KR100026
1 b)	n/a	Cylinder, Tie-Rod, Rephasing: 4-1/2" x 12" (661854)	KR100013
2 a)	R1941205	Cylinder, Welded, Rephasing: 4-1/4" x 12" (659219)	KR100025
2 b)	n/a	Cylinder, Tie-Rod, Rephasing: 4-1/4" x 12" (661853)	KR100012
3 a)	R1941204	Cylinder, Welded, Rephasing: 4" x 12" (659220)	KR100024
3 b)	n/a	Cylinder, Tie-Rod, Rephasing: 4" x 12" (670348)	KR100008
4 a)	R1931202	Cylinder, Welded, Rephasing: 3-3/4" x 12" (659221)	KR100006
4 b)	n/a	Cylinder, Tie-Rod, Rephasing: 3-3/4" x 12" (670347)	KR100005
5 a)	R1931201	Cylinder, Welded, Rephasing: 3-1/2" x 12" (659222)	KR100003
5 b)	n/a	Cylinder, Tie-Rod, Rephasing: 3-1/2" x 12" (670346)	KR100015
6 a)	R1931200	Cylinder, Welded, Rephasing: 3-1/4" x 12" (659223)	KR100017
6 b)	n/a	Cylinder, Tie-Rod, Rephasing: 3-1/4" x 12" (661852)	KR100010
7	n/a	Hydraulic Hose: 3/8" x 245"	
8	n/a	Hydraulic Hose: 3/8" x 156"	
9	n/a	Hydraulic Hose: 3/8" x 72"	
10	n/a	Hydraulic Hose: 3/8" x 72"	
11	n/a	Hydraulic Hose: 3/8" x 72"	
12	n/a	Hydraulic Hose: 3/8" x 125"	
13	n/a	Hydraulic Hose: 3/8" x 354"	
14	n/a	Hydraulic Hose: 3/8" x 470"	
15	R1802046	Tip, Quick Connect: #8 FPT	
16	R1802004	Elbow 90°: #8 MORB - #6 FPTX	
17	R1803001	Valve, Depth Control	

32' TWISTER



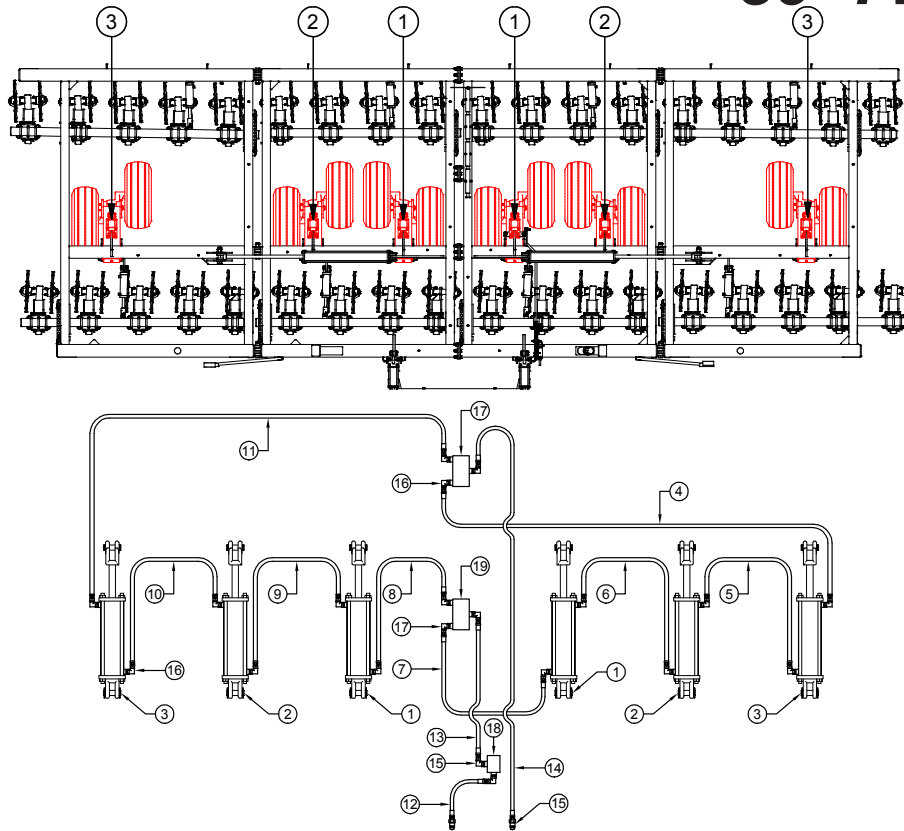
Item	Part #	Description	Seal Kit #
1 a)	R1941204	Cylinder, Welded, Rephasing: 4" x 12" (659220)	KR100024
1 b)	n/a	Cylinder, Tie-Rod, Rephasing : 4" x 12' (670348)	KR100008
2 a)	R1931202	Cylinder, Welded, Rephasing: 3-3/4" x 12" (659221)	KR100006
2 b)	n/a	Cylinder, Tie-Rod, Rephasing : 3-3/4" x 12" (670347)	KR100005
3 a)	R1931201	Cylinder, Welded, Rephasing: 3-1/2" x 12" (659222)	KR100003
3 b)	n/a	Cylinder, Tie-Rod, Rephasing: 3-1/2" x 12" (670346)	KR100015
4	n/a	Hydraulic Hose: 3/8" x 177"	
5	n/a	Hydraulic Hose: 3/8" x 125"	
6	n/a	Hydraulic Hose: 3/8" x 72"	
7	n/a	Hydraulic Hose: 3/8" x 36"	
8	n/a	Hydraulic Hose: 3/8" x 48"	
9	n/a	Hydraulic Hose: 3/8" x 72"	
10	n/a	Hydraulic Hose: 3/8" x 125"	
11	n/a	Hydraulic Hose: 3/8" x 177"	
12	n/a	Hydraulic Hose: 3/8" x 245"	
13	n/a	Hydraulic Hose: 3/8" x 96"	
14	n/a	Hydraulic Hose: 3/8" x 312"	
15	R1802046	Tip, Quick Connect: #8 FPT	
16	R1802004	Elbow 90°: #8 MORB - #6 FPTX	
17	R1802050	Elbow 90°: #10 MORB - #6 FPTX	
18	R1803001	Valve, Depth Control	
19	R1803002	Flow Divider: 2-Way	

36' TWISTER



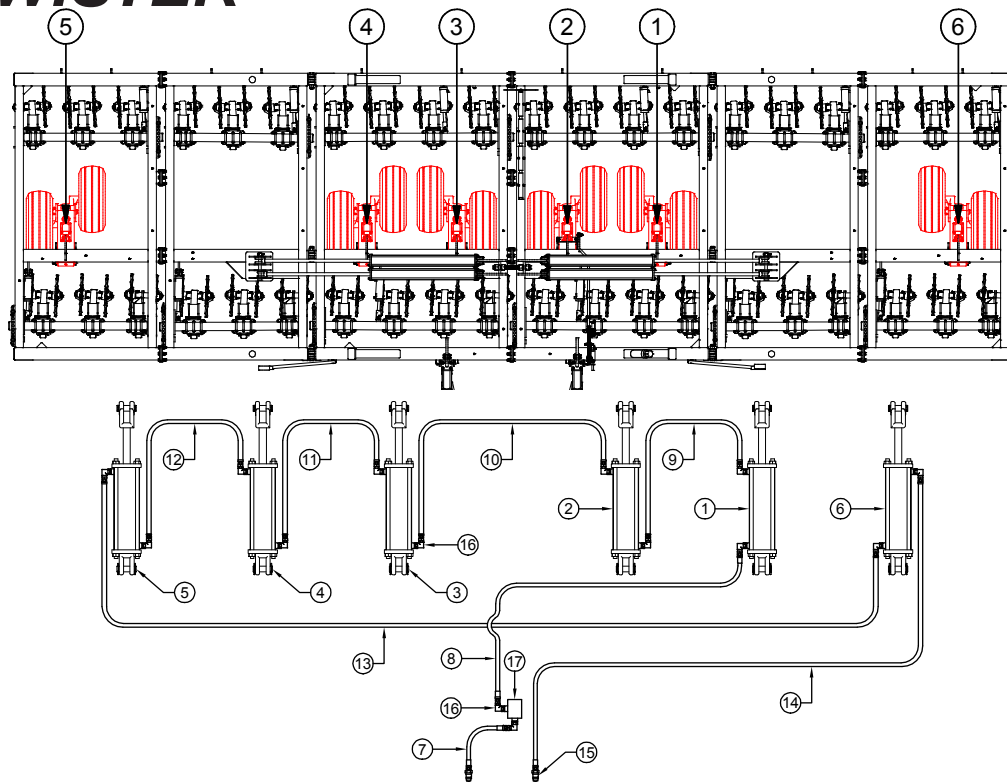
Item	Part #	Description	Seal Kit #
1 a)	R1941204	Cylinder, Welded, Rephasing: 4-1/2" x 12" (659218)	KR100026
1 b)	n/a	Cylinder, Tie-Rod, Rephasing: 4-1/2" x 12" (661854)	KR100013
2 a)	R1941205	Cylinder, Welded, Rephasing: 4-1/4" x 12" (659219)	KR100025
2 b)	n/a	Cylinder, Tie-Rod, Rephasing: 4-1/4" x 12" (661853)	KR100012
3 a)	R1941204	Cylinder, Welded, Rephasing: 4" x 12" (659220)	KR100024
3 b)	n/a	Cylinder, Tie-Rod, Rephasing: 4" x 12" (670348)	KR100008
4 a)	R1931202	Cylinder, Welded, Rephasing: 3-3/4" x 12" (659221)	KR100006
4 b)	n/a	Cylinder, Tie-Rod, Rephasing: 3-3/4" x 12" (670347)	KR100005
5 a)	R1931201	Cylinder, Welded, Rephasing: 3-1/2" x 12" (659222)	KR100003
5 b)	n/a	Cylinder, Tie-Rod, Rephasing: 3-1/2" x 12" (670346)	KR100015
6 a)	R1931200	Cylinder, Welded, Rephasing: 3-1/4" x 12" (659223)	KR100017
6 b)	n/a	Cylinder, Tie-Rod, Rephasing: 3-1/4" x 12" (661852)	KR100010
7	n/a	Hydraulic Hose: 3/8" x 245"	
8	n/a	Hydraulic Hose: 3/8" x 156"	
9	n/a	Hydraulic Hose: 3/8" x 72"	
10	n/a	Hydraulic Hose: 3/8" x 72"	
11	n/a	Hydraulic Hose: 3/8" x 72"	
12	n/a	Hydraulic Hose: 3/8" x 125"	
13	n/a	Hydraulic Hose: 3/8" x 354"	
14	n/a	Hydraulic Hose: 3/8" x 470"	
15	R1802046	Tip, Quick Connect: #8 FPT	
16	R1802004	Elbow 90°: #8 MORB - #6 FPTX	
17	R1803001	Valve, Depth Control	

36' TWISTER



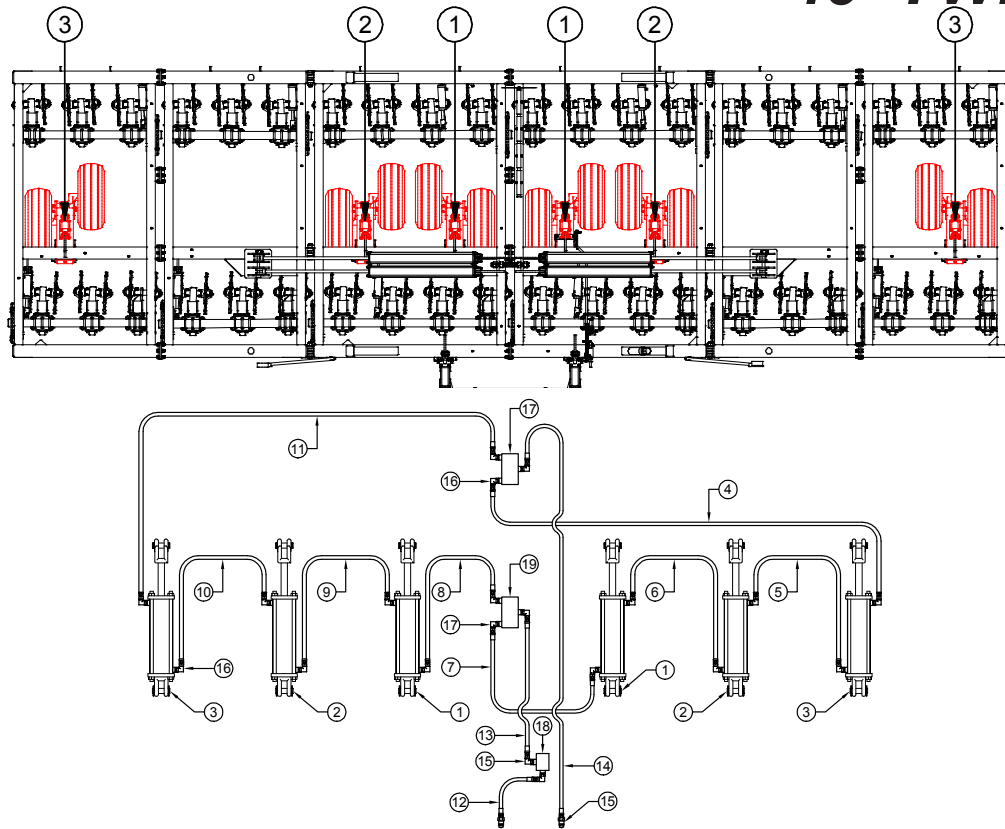
Item	Part #	Description	Seal Kit #
1 a)	R1941204	Cylinder, Welded, Rephasing: 4" x 12" (659220)	KR100024
1 b)	n/a	Cylinder, Tie-Rod, Rephasing : 4" x 12' (670348)	KR100008
2 a)	R1931202	Cylinder, Welded, Rephasing: 3-3/4" x 12" (659221)	KR100006
2 b)	n/a	Cylinder, Tie-Rod, Rephasing : 3-3/4" x 12" (670347)	KR100005
3 a)	R1931201	Cylinder, Welded, Rephasing: 3-1/2" x 12" (659222)	KR100003
3 b)	n/a	Cylinder, Tie-Rod, Rephasing: 3-1/2" x 12" (670346)	KR100015
4	n/a	Hydraulic Hose: 3/8" x 177"	
5	n/a	Hydraulic Hose: 3/8" x 125"	
6	n/a	Hydraulic Hose: 3/8" x 72"	
7	n/a	Hydraulic Hose: 3/8" x 36"	
8	n/a	Hydraulic Hose: 3/8" x 48"	
9	n/a	Hydraulic Hose: 3/8" x 72"	
10	n/a	Hydraulic Hose: 3/8" x 125"	
11	n/a	Hydraulic Hose: 3/8" x 177"	
12	n/a	Hydraulic Hose: 3/8" x 245"	
13	n/a	Hydraulic Hose: 3/8" x 96"	
14	n/a	Hydraulic Hose: 3/8" x 312"	
15	R1802046	Tip, Quick Connect: #8 FPT	
16	R1802004	Elbow 90°: #8 MORB - #6 FPTX	
17	R1802050	Elbow 90°: #10 MORB - #6 FPTX	
18	R1803001	Valve, Depth Control	
19	R1803002	Flow Divider: 2-Way	

40' TWISTER

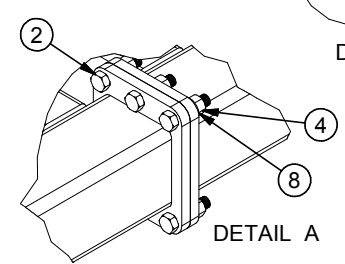
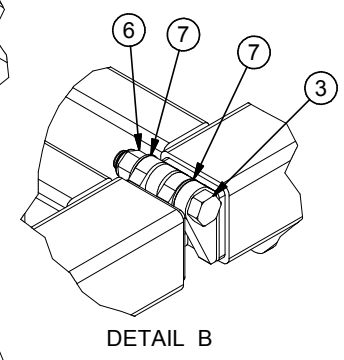
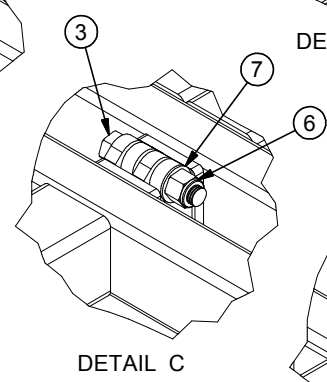
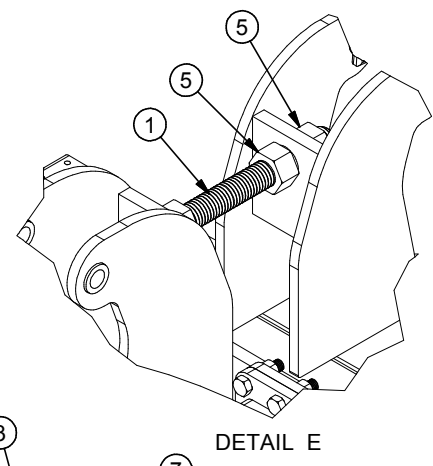
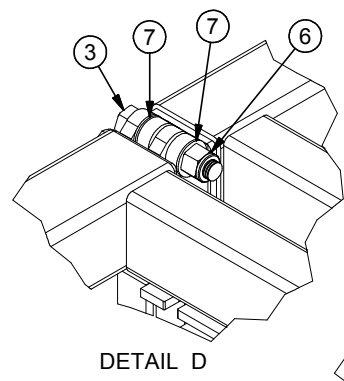
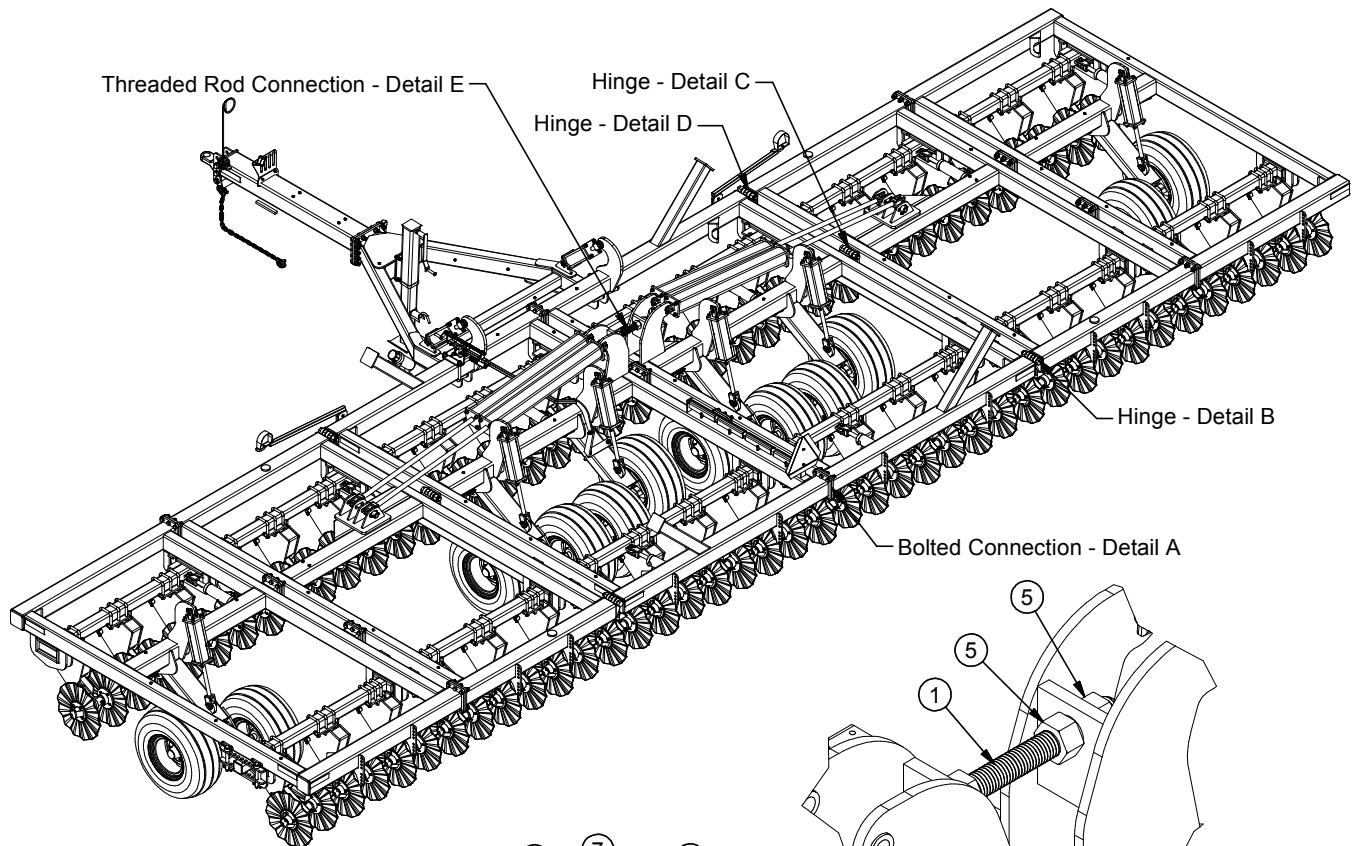


Item	Part #	Description	Seal Kit #
1 a)	R1941204	Cylinder, Welded, Rephasing: 4-1/2" x 12" (659218)	KR100026
1 b)	n/a	Cylinder, Tie-Rod, Rephasing: 4-1/2" x 12" (661854)	KR100013
2 a)	R1941205	Cylinder, Welded, Rephasing: 4-1/4" x 12" (659219)	KR100025
2 b)	n/a	Cylinder, Tie-Rod, Rephasing: 4-1/4" x 12" (661853)	KR100012
3 a)	R1941204	Cylinder, Welded, Rephasing: 4" x 12" (659220)	KR100024
3 b)	n/a	Cylinder, Tie-Rod, Rephasing: 4" x 12" (670348)	KR100008
4 a)	R1931202	Cylinder, Welded, Rephasing: 3-3/4" x 12" (659221)	KR100006
4 b)	n/a	Cylinder, Tie-Rod, Rephasing: 3-3/4" x 12" (670347)	KR100005
5 a)	R1931201	Cylinder, Welded, Rephasing: 3-1/2" x 12" (659222)	KR100003
5 b)	n/a	Cylinder, Tie-Rod, Rephasing: 3-1/2" x 12" (670346)	KR100015
6 a)	R1931200	Cylinder, Welded, Rephasing: 3-1/4" x 12" (659223)	KR100017
6 b)	n/a	Cylinder, Tie-Rod, Rephasing: 3-1/4" x 12" (661852)	KR100010
7	n/a	Hydraulic Hose: 3/8" x 264"	
8	n/a	Hydraulic Hose: 3/8" x 156"	
9	n/a	Hydraulic Hose: 3/8" x 72"	
10	n/a	Hydraulic Hose: 3/8" x 72"	
11	n/a	Hydraulic Hose: 3/8" x 72"	
12	n/a	Hydraulic Hose: 3/8" x 174"	
13	n/a	Hydraulic Hose: 3/8" x 454"	
14	n/a	Hydraulic Hose: 3/8" x 528"	
15	R1802046	Tip, Quick Connect: #8 FPT	
16	R1802004	Elbow 90°: #8 MORB - #6 FPTX	
17	R1803001	Valve, Depth Control	

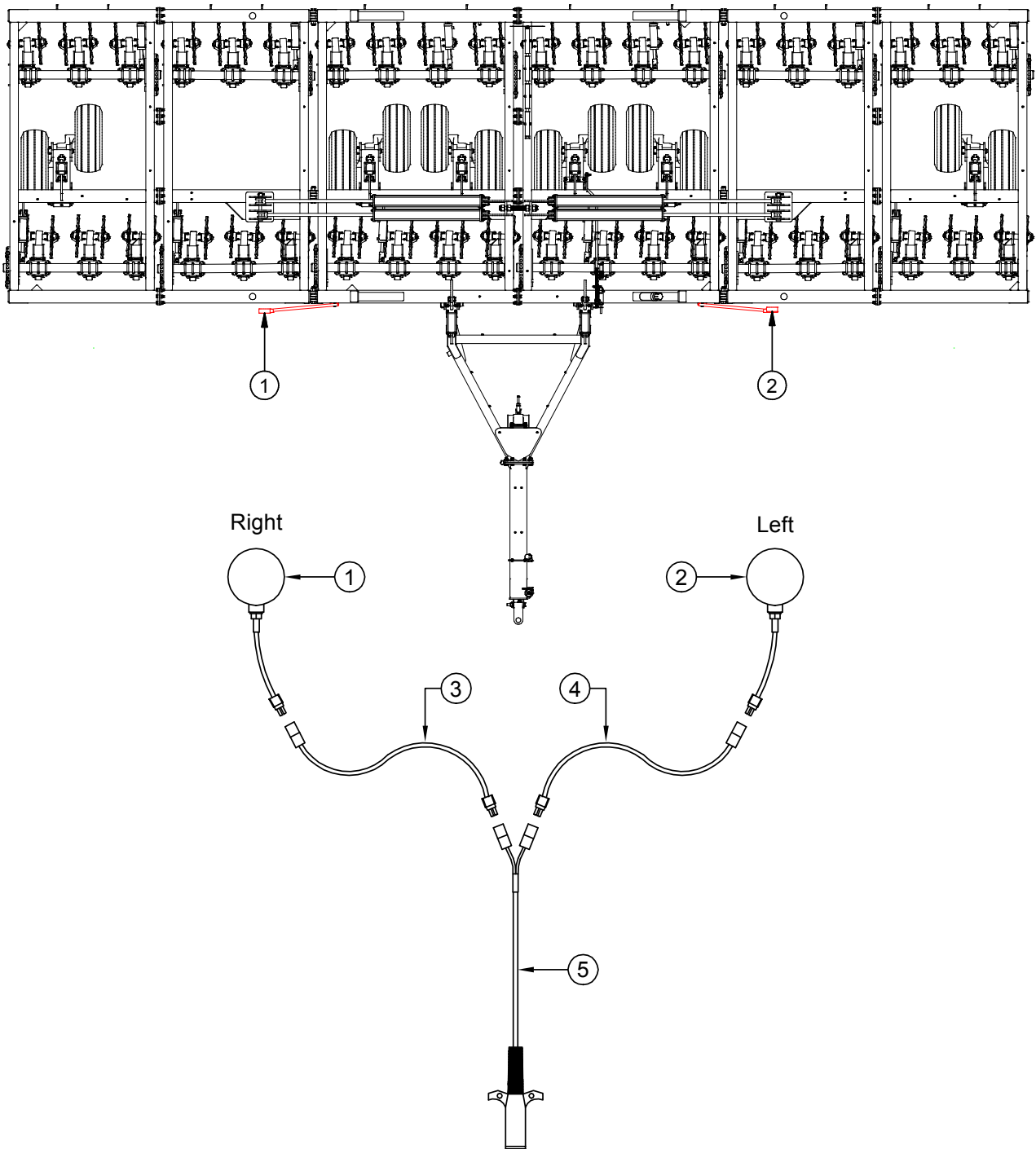
40' TWISTER



Item	Part #	Description	Seal Kit #
1 a)	R1941204	Cylinder, Welded, Rephasing: 4" x 12" (659220)	KR100024
1 b)	n/a	Cylinder, Tie-Rod, Rephasing : 4" x 12' (670348)	KR100008
2 a)	R1931202	Cylinder, Welded, Rephasing: 3-3/4" x 12" (659221)	KR100006
2 b)	n/a	Cylinder, Tie-Rod, Rephasing : 3-3/4" x 12" (670347)	KR100005
3 a)	R1931201	Cylinder, Welded, Rephasing: 3-1/2" x 12" (659222)	KR100003
3 b)	n/a	Cylinder, Tie-Rod, Rephasing: 3-1/2" x 12" (670346)	KR100015
4	n/a	Hydraulic Hose: 3/8" x 228"	
5	n/a	Hydraulic Hose: 3/8" x 174"	
6	n/a	Hydraulic Hose: 3/8" x 72"	
7	n/a	Hydraulic Hose: 3/8" x 44"	
8	n/a	Hydraulic Hose: 3/8" x 44"	
9	n/a	Hydraulic Hose: 3/8" x 72"	
10	n/a	Hydraulic Hose: 3/8" x 174"	
11	n/a	Hydraulic Hose: 3/8" x 228"	
12	n/a	Hydraulic Hose: 3/8" x 264"	
13	n/a	Hydraulic Hose: 3/8" x 96"	
14	n/a	Hydraulic Hose: 3/8" x 312"	
15	R1802046	Tip, Quick Connect: #8 FPT	
16	R1802004	Elbow 90°: #8 MORB - #6 FPTX	
17	R1802050	Elbow 90°: #10 MORB - #6 FPTX	
18	R1803001	Valve, Depth Control	
19	R1803002	Flow Divider: 2-Way	



Item	Part #	Description
1	PC181001	Rod, Threaded: 1-3/4" x 18"
2	R0140930	Bolt, Fine: 3/4" x 3"
3	R0131370	Bolt: 1-1/4" x 7"
4	R0340109	Nut, Fine: 3/4"
5	R0310116	Nut: 1-3/4"
6	R0410113	Nut, Lock: 1-1/4"
7	R0510213	Washer, Flat: 1-1/4"
8	R0610009	Washer, Lock: 3/4"



Item	Part #	Description
1	R1701001	Light, Hazard: RH
2	R1701002	Light, Hazard: LH
3	R1701003	Harness, Hazard Light: RH
4	R1701004	Harness, Hazard Light: LH
5	R1701005	Harness, Plug, Hazard Lights
*	KL100021	Complete Light Upgrade Kit: 20 Series Twister



REVISION: 4.0

PART #: R9912012

RELEASED: JANUARY 01, 2019

MANDAKO AGRI MARKETING (2010) LTD.



Printed in Canada