

**MANDAKO**



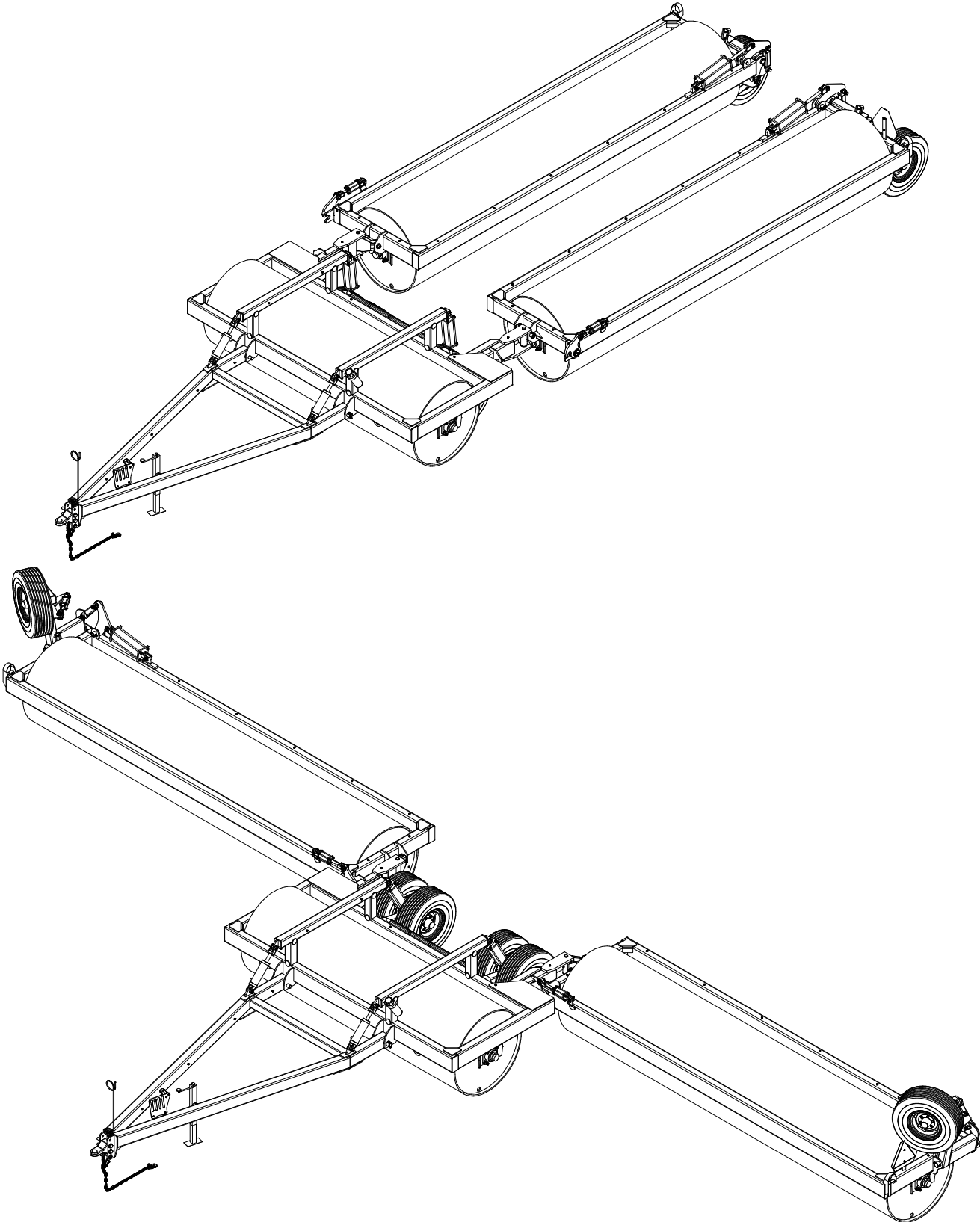
**3-PLEX  
LAND ROLLER  
30 SERIES (2010-2016)**

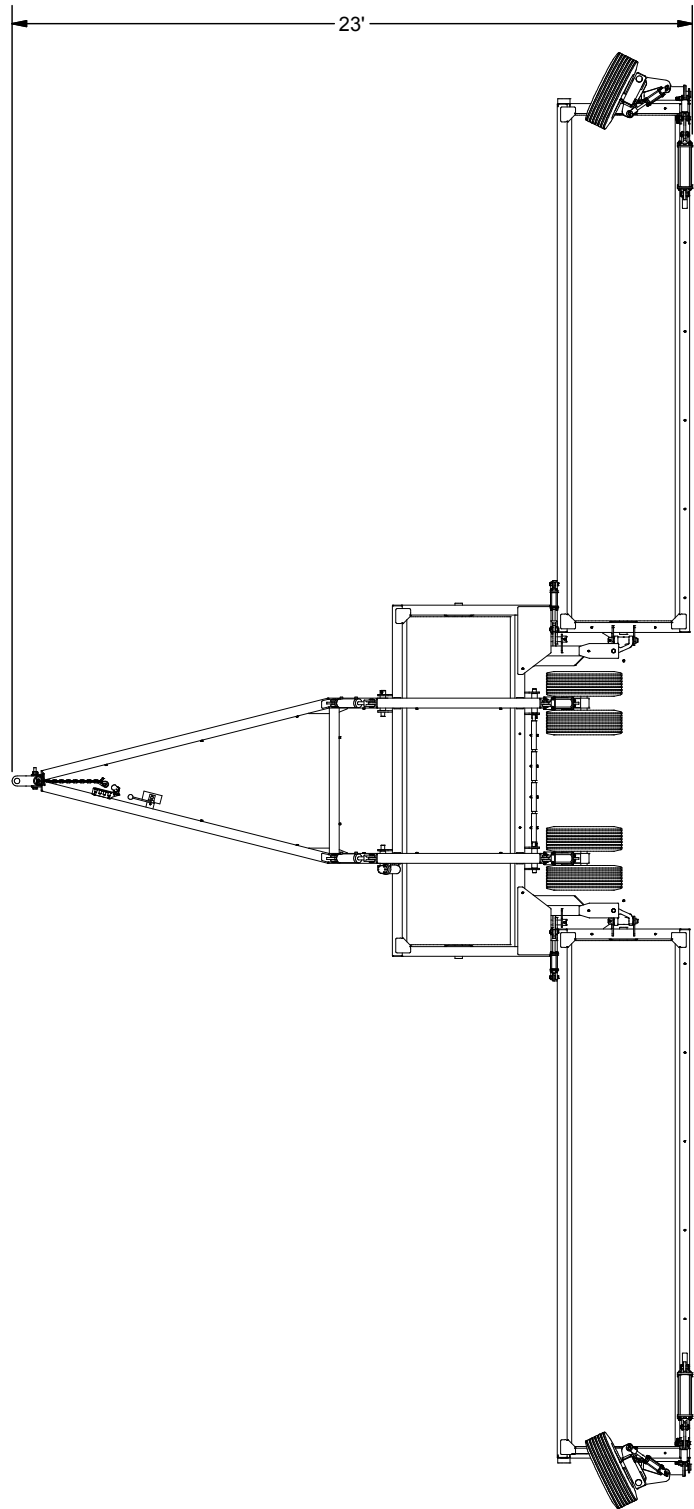
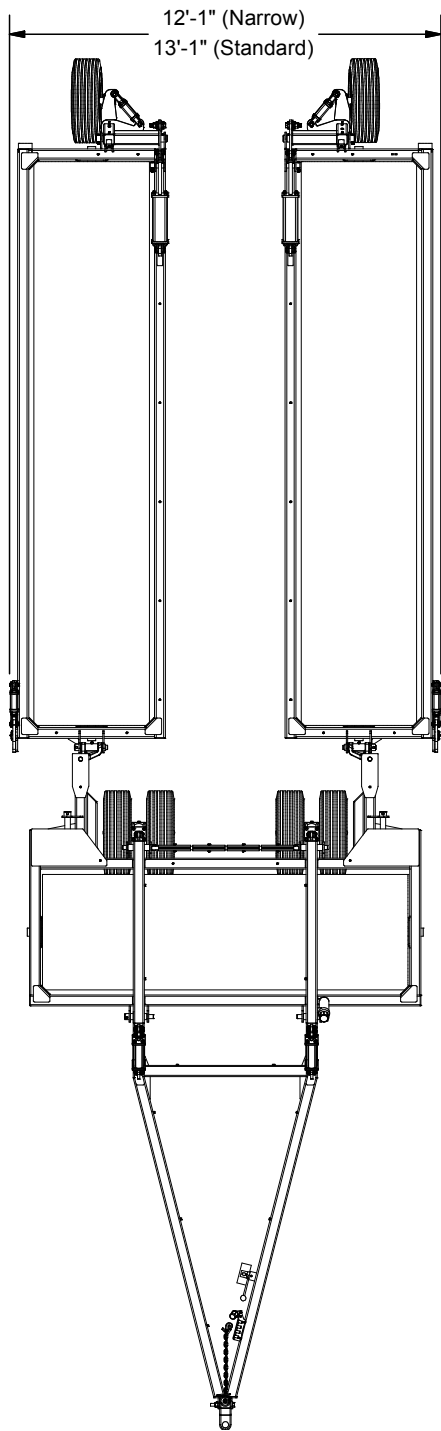
**PARTS MANUAL**

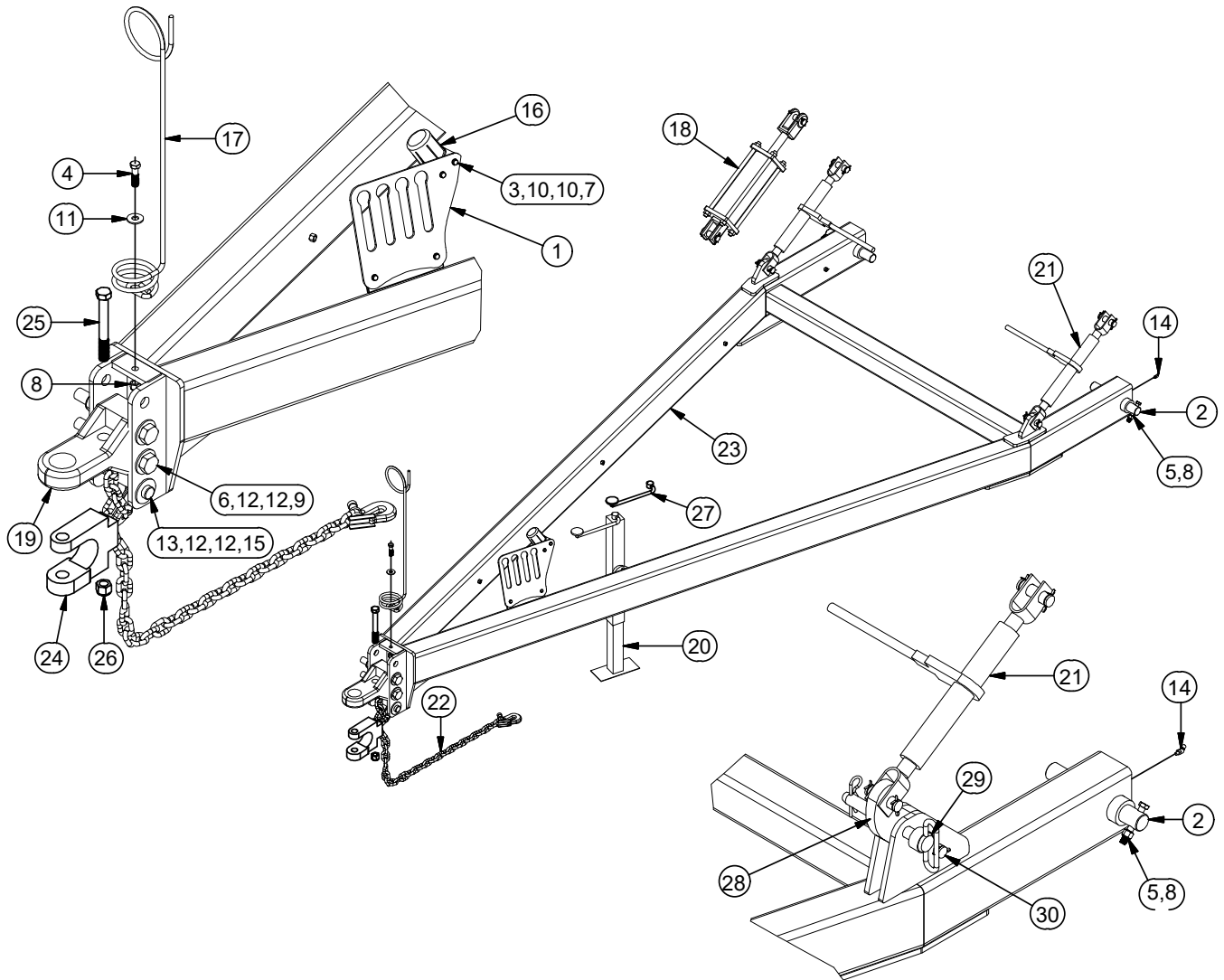


**Box 379 | 12159B Hwy 306  
Plum Coulee, MB R0G 1R0  
Toll-Free: 1-888-525-5892  
Telephone: (204) 829-3092  
Fax: (204) 829-7712  
Email: [parts@mandako.com](mailto:parts@mandako.com) / [info@mandako.com](mailto:info@mandako.com)  
<http://www.mandako.com/partsmanuals>**

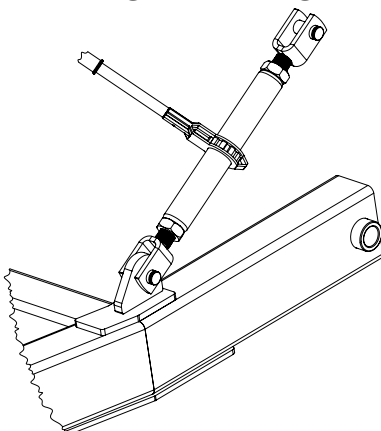
Machine Overview A.....	2
Machine Overview B.....	3
Hitch Assembly .....	4
Hitch Assembly .....	5
Main Frame Assembly .....	6
Main Frame Assembly .....	7
Rear Wing Assembly .....	8
Rear Axle Assembly (Non Steering) .....	9
Rear Axle Assembly (Single Steering).....	10
Rear Axle Assembly (Dual Steering) .....	11
Hub/Spindle Assembly.....	12
Spindle Order Form .....	13
Cylinders and Cylinder Stops .....	14
Hydraulics Fasteners.....	15
Hazard Lights .....	16
Acre Counter .....	17



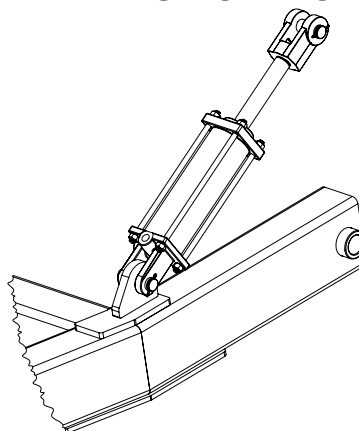




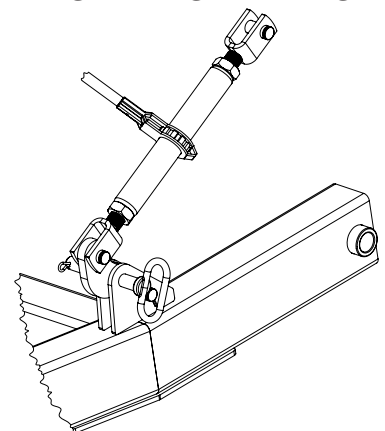
**RATCHET HITCH**



**HYDRAULIC HITCH**

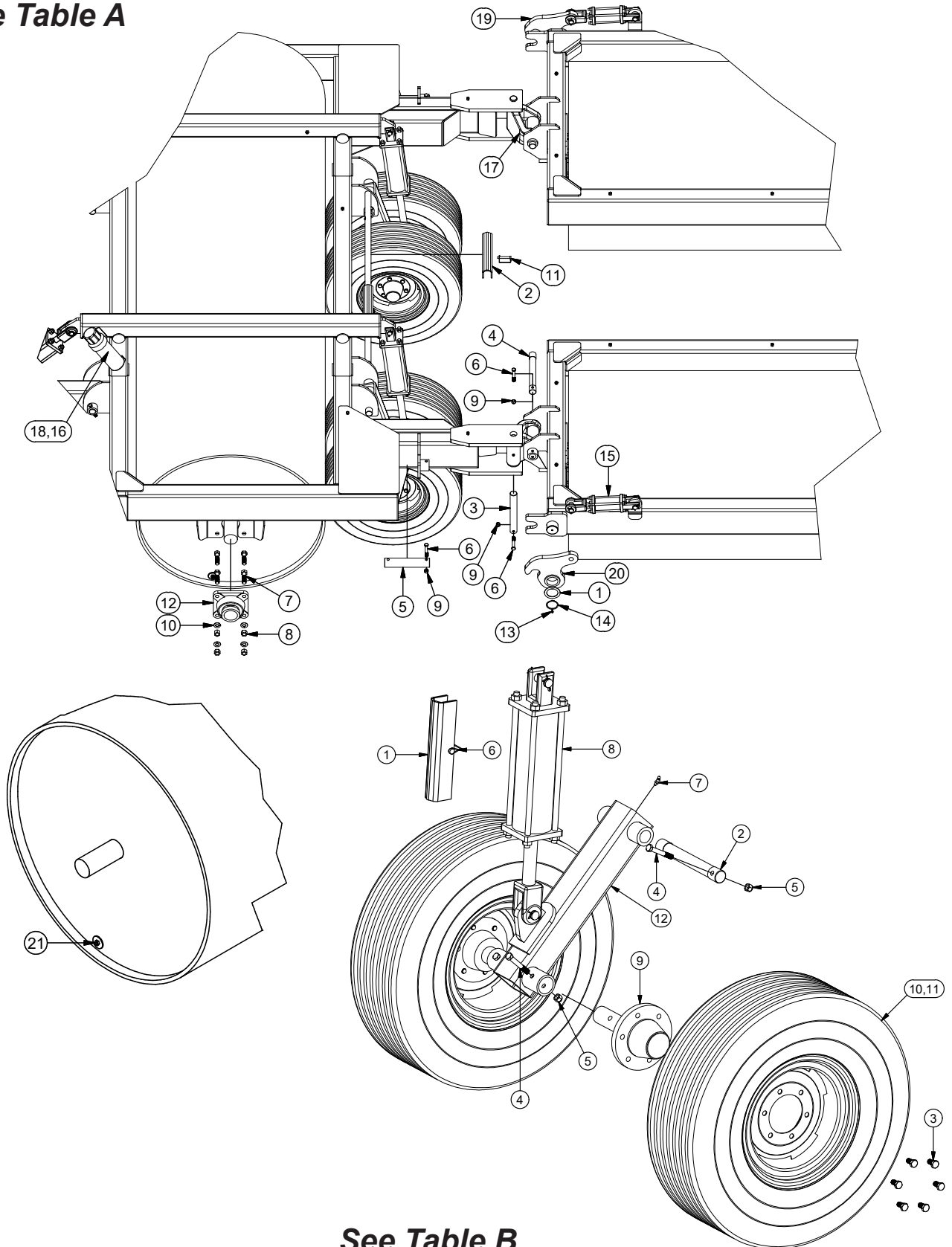


**MECHANICAL HITCH**



Item	Part #	Description	Qty
1	PP021002	Storage Plate, Hydraulic Tips: Black	1
2	PR151002	Pin: 1-1/2" x 10"	2
3	R0130210	Bolt: 1/4" x 1"	4
4	R0130620	Bolt: 1/2" x 2"	1
5	R0130635	Bolt: 1/2" x 3-1/2"	2
6	R0131180	Bolt: 1" x 8"	2
7	R0430102	Nut, Lock: 1/4"	4
8	R0430106	Nut, Lock: 1/2"	3
9	R0430111	Nut, Lock: 1"	2
10	R0510102	Washer, Flat: 1/4"	4
11	R0510106	Washer, Flat: 1/2"	1
12	R0530211	Washer, Flat: 1"	4
13	R0810601	Pin, Clevis: 1" x 6"	1
14	R1502502	Zerk, Grease: 1/8" NPT, 45°	2
15	R1618900	Pin, Cotter: 3/16" x 2"	1
16	R1701018	Protector: Electrical Plug	1
17	R1899001	Retainer, Hose, Spring Loaded	1
18	n/a	Cylinder, Tie-Rod: 3" x 8" <b>(See Page: 14)</b>	2
19	R9901003	Pintle Hitch: Cat 3, 3" spacing	1
20 a)	R9909002	Jack, Hitch: Round Reciever	1
20 b)	R9909004	Jack, Hitch: Square Reciever	
21	R9909003	Jack, Ratchet: 10K	
22	R9910001	Safety Chain: 3/8", Grd. 90	1
23	n/a	Hitch Frame <b>(Inquire)</b>	1
24	AA001090	Clevis Hitch Insert <b>(Includes Items: 25, 26)</b>	
25	R0130955	Bolt: 3/4" x 5-1/2"	
26	R0430109	Nut, Lock: 3/4"	
27	R9909005	Jack Handle: Light Duty	
28	PP102103	Ratchet Jack Linkage: Mechanical Hitch	
29	R0810751	Pin, Red Handle: 1" x 7-1/2"	
30	R0810030	Pin: 1" x 3"	
*	AA001089	Pintle Hitch Wedge Kit	

See Table A



See Table B

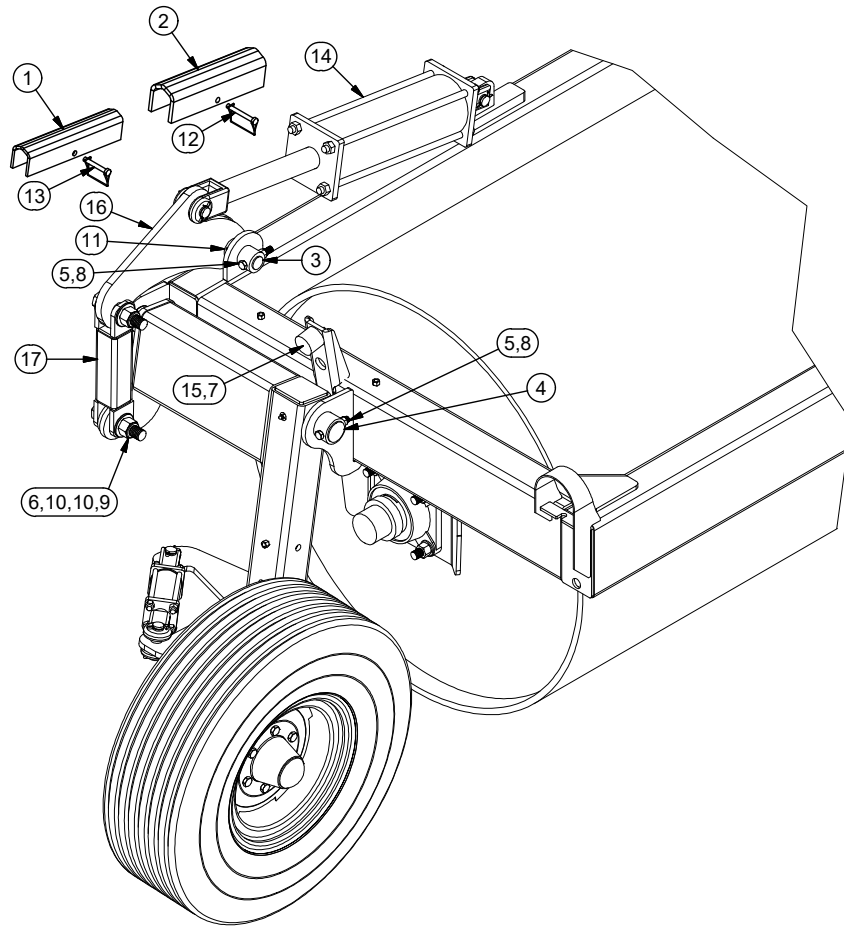


**Table A**

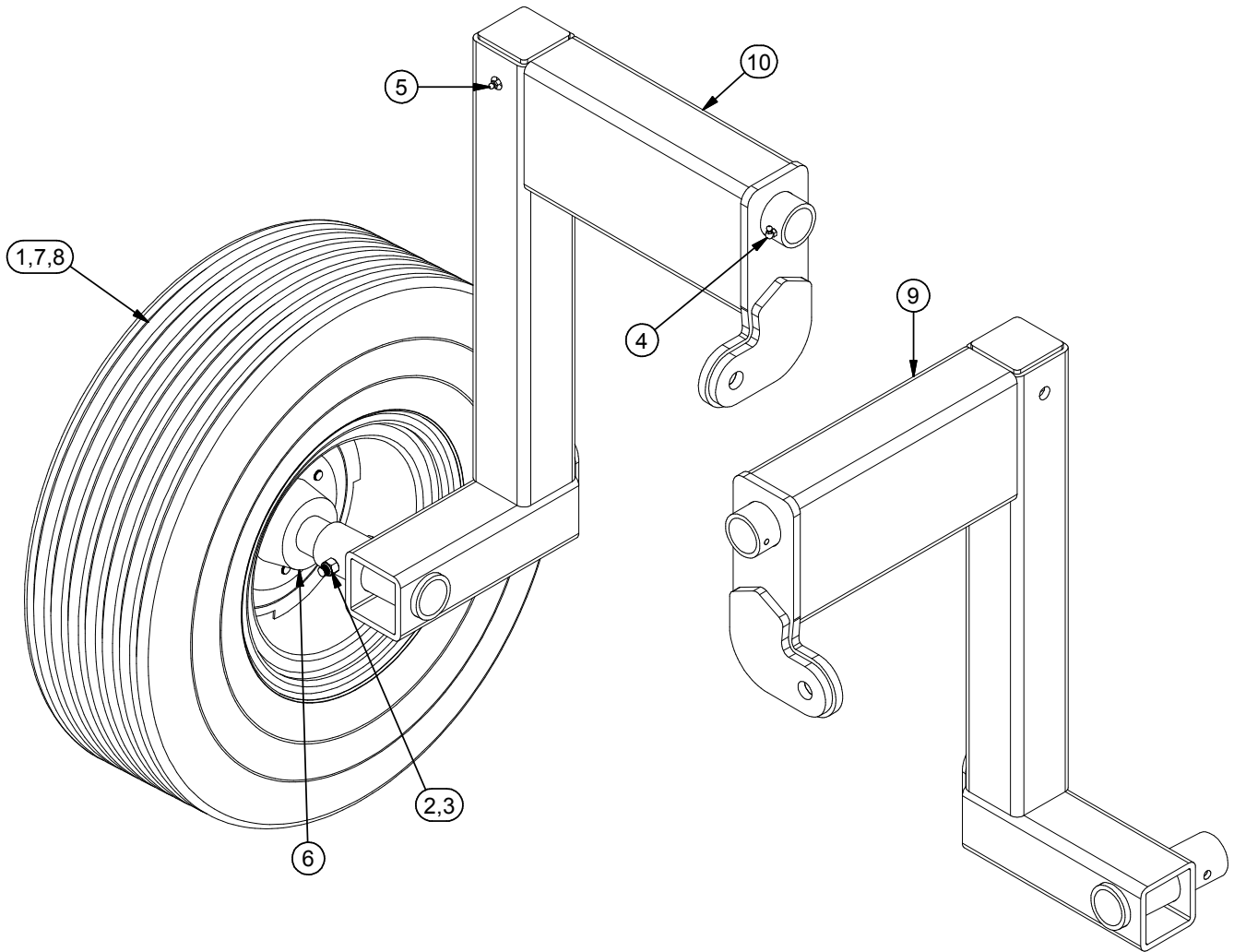
Item	Part #	Description	Qty
1	PG102003	Washer, Wing Lock Hook	2
2	n/a	Cylinder Stop ( <b>See Page: 14</b> )	2
3	PR151001	Pin: 1-1/2" x 12"	2
4	PR151003	Pin: 1-1/2" x 11-1/2"	2
5	PR202001	Pin: 2" x 10"	2
6	R0130635	Bolt: 1/2" x 3 1/2"	6
7	R0120925	Bolt, Fine: 3/4" x 2-1/2"	8
8	R0430109	Nut, Lock, Fine: 3/4"	8
9	R0430106	Nut, Lock: 1/2"	6
10	R0591009	Washer, Belleville: 3/4"	8
11 a)	R0804281	Pin, Wire Latch: 3/8" x 2-1/2"	2
11 b)	R0804300	Pin, Wire Latch: 3/8" x 3"	
12 a)	R1100010	Bearing, Flange: 3" Bore, 4-Bolt x 6" Center-Center	2
12 b)	R1100011	Bearing, Flange: 3" Bore, 4-Bolt x 6-1/4" Center-Center	
12 c)	R1100016	Bearing only: 3" Bore	
13	R1502504	Zerk, Grease: 1/8" NPT	2
14	R1625001	Snap Ring: 2-1/2"	2
15	n/a	Cylinder, Tie-Rod: 2" x 4" ( <b>See Page: 14</b> )	2
16	R2000000	Screw, Self-Tapping : #12 x 1-1/2"	2
17	R9901004	Knuckle: Cast	2
18	R9912001	Cannister: Operators Manual	1
19	WC002100	Wing Lock Hook: Right	1
20	WC002101	Wing Lock Hook: Left	1
21	R9930002	Drum Expansion Plug: 2"	2

**Table B**

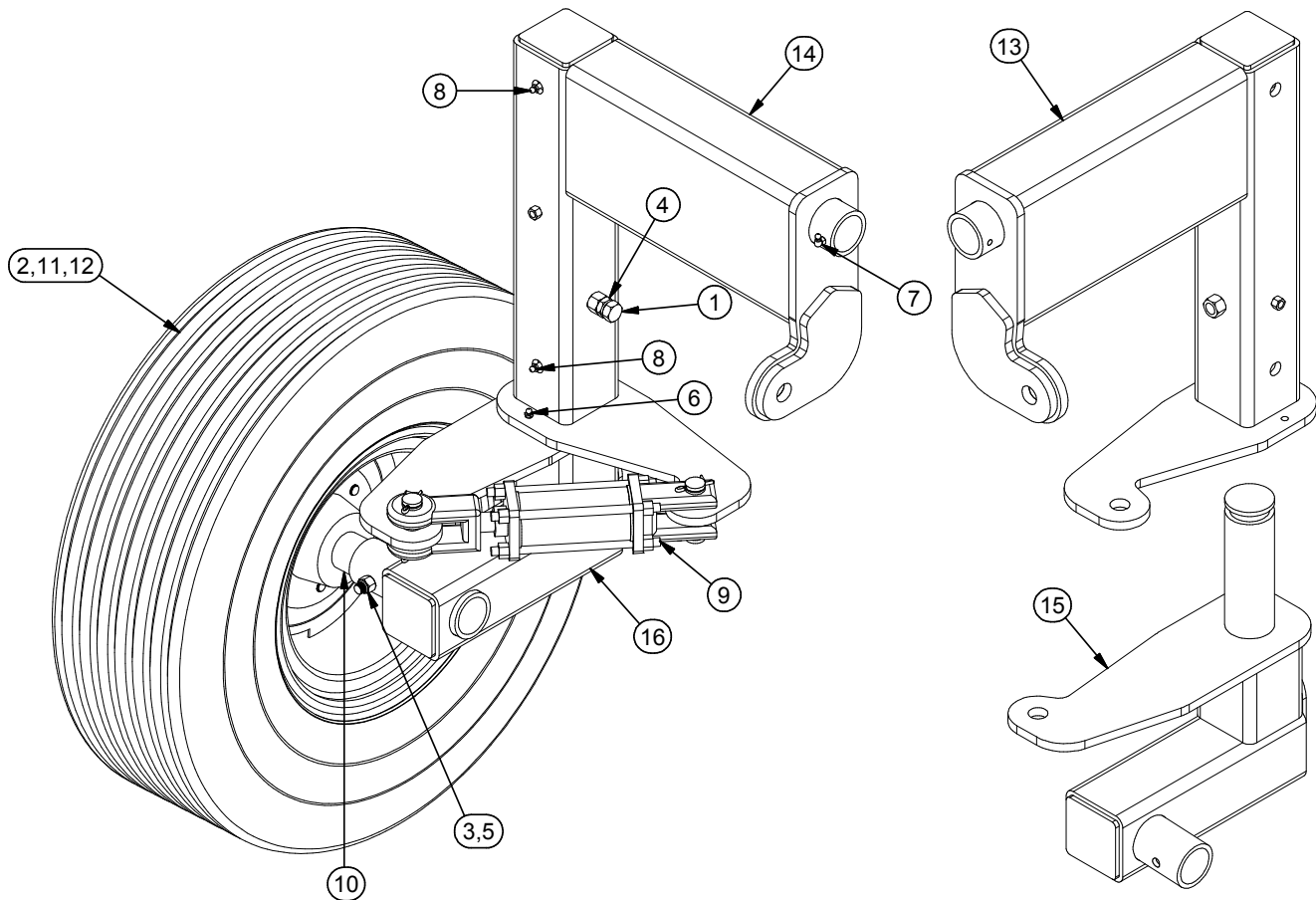
Item	Part #	Description	Qty
1	n/a	Cylinder Stop ( <b>See Page: 14</b> )	1
2	PR151005	Pin: 1-1/2" x 11-1/2"	1
3	R0150713	Bolt, 90° Lug, Fine: 9/16" x 1-1/4"	12
4	R0130635	Bolt: 1/2" x 3-1/2"	2
5	R0430106	Nut, Lock: 1/2"	2
6 a)	R0804281	Pin, Wire Latch: 3/8" x 2-1/2"	1
6 b)	R0804300	Pin, Wire Latch: 3/8" x 3"	
7	R1502502	Zerk, Grease: 1/8" NPT, 45°	1
8	n/a	Cylinder, Tie-Rod: 4" x 12" ( <b>See Page: 14</b> )	1
9	n/a	Complete Hub/Spindle Assembly: 6-Bolt ( <b>See Page: 12</b> )	2
10	R9907002	Tire, Implement	1
11	R9908002	Wheel, Implement: 6-Bolt ( <b>See Page: 16</b> )	1
12	WC002003	Axle Arm: 3-Plex, Main Frame	1
*	KW100001	Wheel & Tire Assembly ( <b>See Page: 16</b> )	



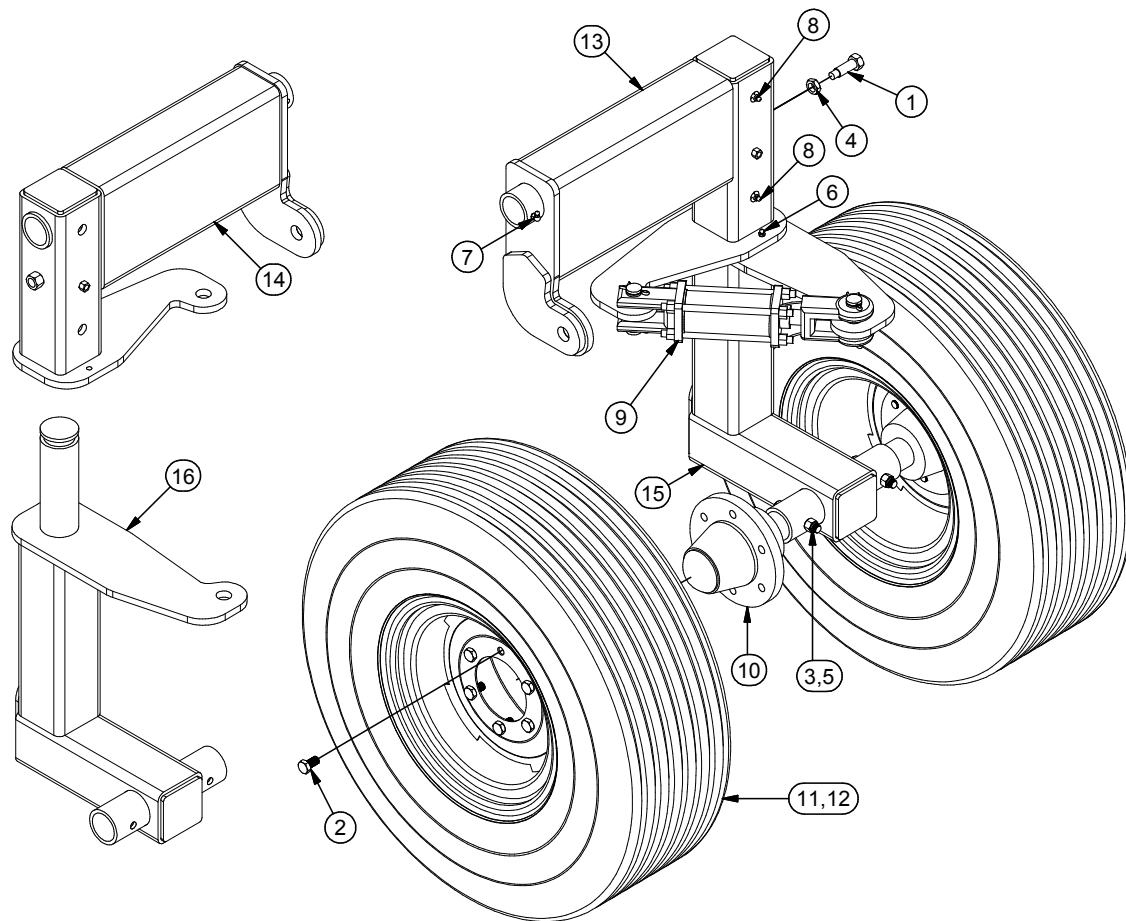
Item	Part #	Description	Qty
1	n/a	Cylinder Stop, Small (See Page: 14)	1
2	n/a	Cylinder Stop, Large (See Page: 14)	
3	PR132001	Pin: 1-1/4" x 6"	1
4	PR205002	Pin: 2" x 26"	1
5	R0130635	Bolt: 1/2" x 3-1/2"	2
6	R0131150	Bolt: 1" x 5"	2
7	R0410104	Nut, Lock: 3/8"	1
8	R0430106	Nut, Lock: 1/2"	2
9	R0430111	Nut, Lock: 1"	2
10	R0510111	Washer, Flat: 1"	4
11	R1502504	Zerk, Grease: 1/8" NPT	2
12	R0804300	Pin, Wire Latch: 3/8" x 3"	1
13	R0804281	Pin, Wire Latch: 3/8" x 2-1/2"	
14 a)	n/a	Cylinder, Tie-Rod: 4" x 12" (See Page: 14)	1
14 b)	n/a	Cylinder, Tie-Rod: 5" x 12" (See Page: 14)	
15	R9911002	Rubber Bumper: 1-1/2"	1
16	WC002102	Rear Axle Swivel Linkage	1
17	WC002103	Rear Axle Link	1



Item	Part #	Description	Qty
1	R0150713	Bolt, Lug, Fine: 90°, 9/16" x 1-1/4"	12
2	R0130635	Bolt: 1/2" x 3-1/2"	2
3	R0430106	Nut, Lock: 1/2"	2
4	R1502503	Zerk, Grease: 1/8" NPT, 90°	2
5	R1502501	Zerk, Grease: 1/8" NPT, 1" Extension	2
6	n/a	Complete Hub/Spindle Assembly: 6-Bolt (See Page: 12)	2
7	R9907002	Tire, Implement	2
8	R9908002	Wheel, Implement: 6-Bolt (See Page: 16)	2
9	WC002004	Axle Arm, Non Steering, 3-Plex: Right	1
10	WC002005	Axle Arm, Non Steering, 3-Plex: Left	1
*	KW100001	Wheel & Tire Assembly (See Page: 16)	
*	n/a	Complete Landroller Axle Kit: Standard (Includes Items 1-10) <b>Please Inquire</b>	

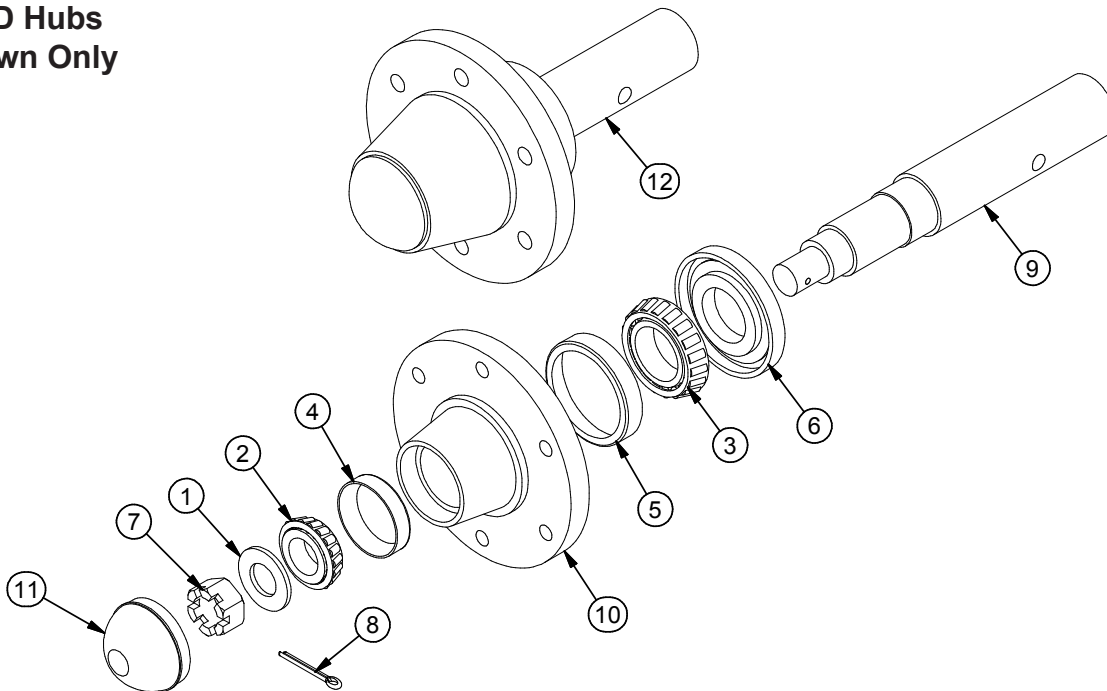


Item	Part #	Description	Qty
1	PM062001	Bolt, Retainer: 5/8"	2
2	R0150713	Bolt, Lug, Fine: 90°, 9/16" x 1-1/4"	12
3	R0130635	Bolt: 1/2" x 3-1/2"	2
4	R0310308	Nut, Jam: 5/8"	2
5	R0430106	Nut, Lock: 1/2"	2
6	R1502504	Zerk, Grease: 1/8" NPT	2
7	R1502503	Zerk, Grease: 1/8" NPT, 90°	2
8	R1502501	Zerk, Grease: 1/8" NPT, 1" Extension	2
9	n/a	Cylinder, Tie-Rod: 2" x 4" (See Page: 14)	2
10	n/a	Complete Hub/Spindle Assembly: 6-Bolt (See Page: 12)	2
11	R9907002	Tire, Implement	2
12	R9908002	Wheel, Implement: 6-Bolt (See Page: 16)	2
13	WC002006	Axle Arm, Upper, Single Steering, 3-Plex: Right	1
14	WC002007	Axle Arm, Upper, Single Steering, 3-Plex: Left	1
15	WC002008	Axle Arm, Lower, Single Steering, 3-Plex: Right	1
16	WC002009	Axle Arm, Lower, Single Steering, 3-Plex: Left	1
*	KW100001	Wheel & Tire Assembly (See Page: 16)	
*	n/a	Complete Land Roller Axle Kit: Single Steering (Includes Items 1-16) <b>Please Inquire</b>	



Item	Part #	Description	Qty
1	PM062001	Bolt, Retainer: 5/8"	2
2	R0150713	Bolt, Lug, Fine: 90°, 9/16" x 1-1/4"	24
3	R0130635	Bolt: 1/2" x 3-1/2"	4
4	R0310308	Nut, Jam: 5/8"	2
5	R0430106	Nut, Lock: 1/2"	4
6	R1502504	Zerk, Grease: 1/8" NPT	2
7	R1502503	Zerk, Grease: 1/8" NPT, 90°	2
8	R1502501	Zerk, Grease: 1/8" NPT, 1" Extension	2
9	n/a	Cylinder, Tie-Rod: 2" x 4" (See Page: 14)	2
10	n/a	Complete Hub/Spindle Assembly: 6-Bolt (See Page: 12)	4
11	R9907002	Tire, Implement	4
12	R9908002	Wheel, Implement: 6-Bolt (See Page: 16)	4
13	WC002010	Axle Arm, Upper, Dual Steering, 3-Plex: Right	1
14	WC002011	Axle Arm, Upper, Dual Steering, 3-Plex: Left	1
15	WC002012	Axle Arm, Lower, Dual Steering, 3-Plex: Right	1
16	WC002013	Axle Arm, Lower, Dual Steering, 3-Plex: Left	1
*	KW100001	Wheel & Tire Assembly (See Page: 16)	
*	n/a	Complete Land Roller Axle Kit: Dual Steering (Includes Items 1-16) <b>Please Inquire</b>	

**CTD Hubs  
Shown Only**



Item	Page	Description	Reference #
1	R0510001	Washer, Flat, Hardened: 1"	
2 a)	R1100012	Bearing, Tapered: 6-Bolt Outer	LM48548
2 b)	R1100012-01	Bearing, Tapered: 6-Bolt Outer (Premium)	LM48548
3 a)	R1100013	Bearing, Tapered: 6-Bolt: Inner	25580
3 b)	R1100013-01	Bearing, Tapered: 6-Bolt: Inner (Premium)	25580
4 a)	R1200004	Race, 6-Bolt: Outer	LM48510
4 b)	R1200004-01	Race, 6-Bolt: Outer (Premium)	LM48510
5 a)	R1200003	Race, 6-Bolt: Inner	25520
5 b)	R1200003	Race, 6-Bolt: Inner (Premium)	25520
6 a)	R1320001	Seal, Grease, 6-Bolt: Single Lip	SE30
6 b)	R1320001-01	Seal, Grease, 6-Bolt: Labyrinth	
7	R1410001	Nut, Castle, Fine: 1"	
8	R1618900	Pin, Cotter: 3/16" x 2"	
9 a)	R9904001	Spindle, 6-Bolt: 3-1/4" Seal-Hole	
9 b)	R9904005	Spindle, 6-Bolt: 2-3/4" Seal-Hole	
9 c)	R9904006	Spindle, 6-Bolt, Misc. <b>(Order Form Required Pg.13)</b>	
10	R9905001-01	Hub, Cast, 6-Bolt <b>(Includes items 4a &amp; 5a)</b>	HA618
11	R9906001	Dust Cap: 6-Bolt	DC-15
12 a)	R9903001-04	Complete Hub/Spindle Assembly: 6-Bolt: 3-1/4" Seal-Hole	
12 b)	R9903006	Complete Hub/Spindle Assembly: 6-Bolt: 2-3/4" Seal-Hole	
12 c)	R9903010	Complete Hub/Spindle Assembly: 6-Bolt, Misc. <b>(Order Form Required Pg.13)</b>	
*	KB100001	Rebuild Kit, 6-Bolt (Canada Only) <b>(Includes all "a" item's from 2-6)</b>	
*	KB100001-11	Premium Rebuild Kit, 6-Bolt <b>(Includes all "b" item's from 2-6)</b>	
*	KB100001-12	Premium Rebuild Kit, 6-Bolt <b>(Includes all "b" item's from 2-6,1,7,8,11)</b>	

FIG. 1

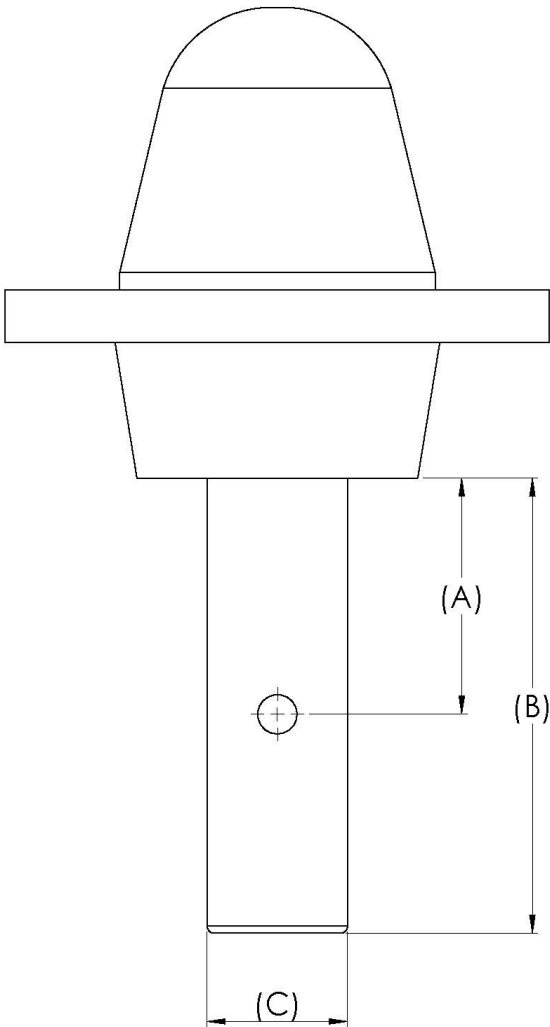
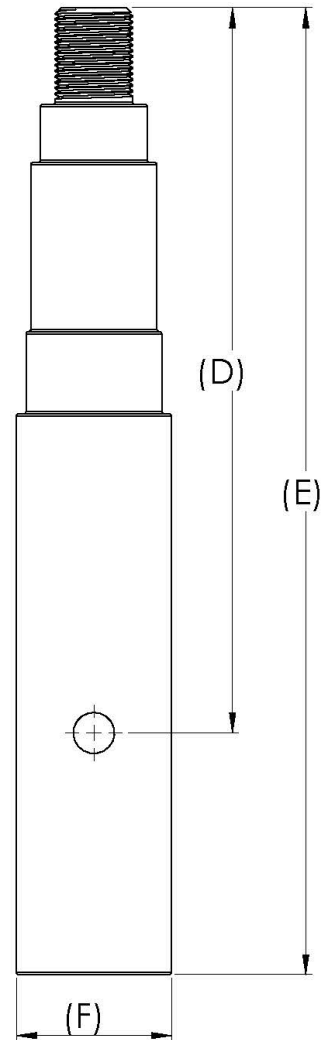


FIG. 2



A. \_\_\_\_\_

D. \_\_\_\_\_

B. \_\_\_\_\_

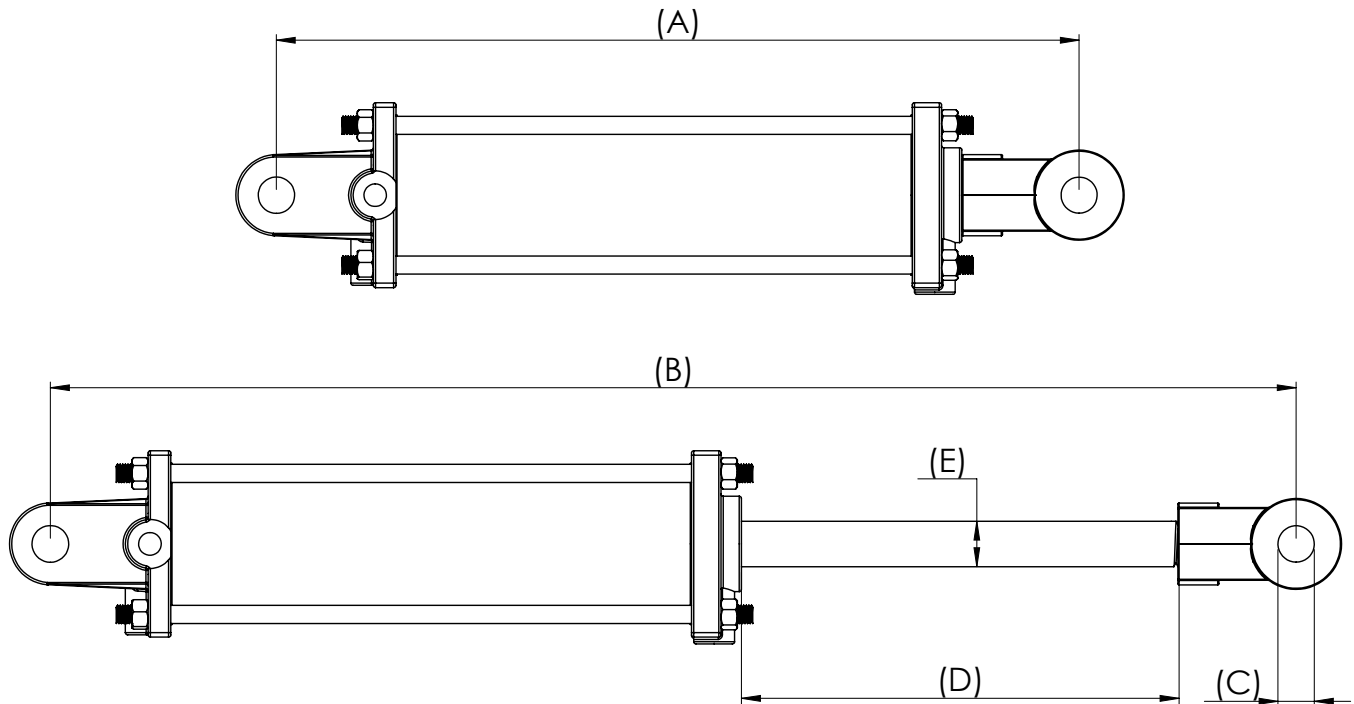
E. \_\_\_\_\_

C. \_\_\_\_\_

F. \_\_\_\_\_

G. Manufacturer (Cast Stamp) \_\_\_\_\_

**When ordering Part Numbers R9903010 or R9904006 please document in inches all blanks pertaining to either Fig. 1 or Fig. 2.**

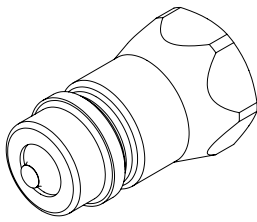


CYLINDERS					
Part No.	Description	(A)	(B)	(C)	Repair Kit No.
R1920401	Cylinder, Tie-Rod, Yellow: 2" x 4" (661773)	14-1/4"	18-1/4"	1"	KR100018
R1920401-01	Cylinder, Tie-Rod, Black: 2" x 4" (661838)	14-1/4"	18-1/4"	1"	KR100018
R1930800	Cylinder, Tie-Rod, Yellow: 3" x 8" (661905)	18-1/4"	26-1/4"	1"	KR100020
R1930801	Cylinder, Tie-Rod, Black: 3" x 8" (662399)	18-1/4"	26-1/4"	1"	KR100020
R1941201	Cylinder, Tie-Rod, Yellow: 4" x 12" (661749)	20-1/4"	32-1/4"	1"	KR100000
R1941201-01	Cylinder, Tie-Rod, Black: 4" x 12" (661975)	20-1/4"	32-1/4"	1"	KR100000
R1951201	Cylinder, Tie-Rod, Yellow: 5" x 12" (661769)	22-1/4"	34-1/4"	1-1/4"	KR100007
R1951201-01	Cylinder, Tie-Rod, Black: 5" x 12" (661976)	22-1/4"	34-1/4"	1-1/4"	KR100007

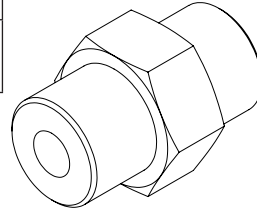
CYLINDER STOPS			
Part No.	Description	(D)	(E)
PP030008	<b>*See below*</b> Cylinder Stop: 1-1/2" x Misc. (Includes Wire Latch Pin)	*	*
PP040003	<b>*See below*</b> Cylinder Stop, HD: 2" x Misc. (Includes Wire Latch Pin)	*	*
PP032021	Cylinder Stop: 1-1/2" x 12" (Includes Wire Latch Pin)	12"	1-1/2"
PP042014	Cylinder Stop, HD: 2" x 12" (Includes Wire Latch Pin)	12"	2"

**\*When Ordering Part No. PP030008 or PP040003 please provide referenced (D) and (E) dimensions. \***

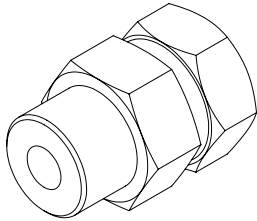




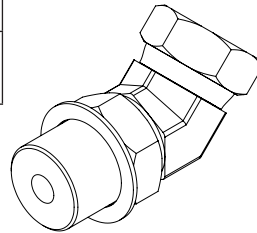
Part No.	R1802046
Description	Tip Quick Connect: #8 FPT



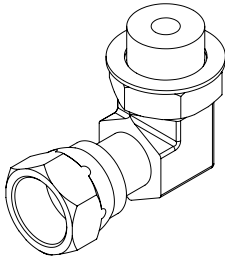
Part No.	R1802047
Description	Straight: #6 MPT - #6 MPT



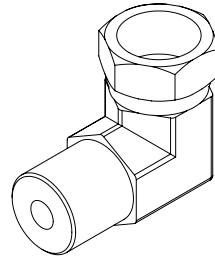
Part No.	R1802048
Description	Straight: #6 FPTX - #6 MPT



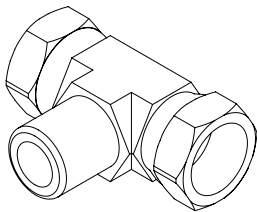
Part No.	R1802049
Description	Elbow 45°: #8 MORB - #6 FPTX



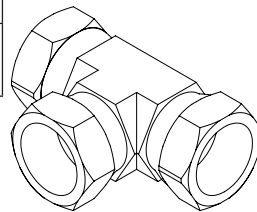
Part No.	R1802004
Description	Elbow 90°: #8 MORB - #6 FPTX



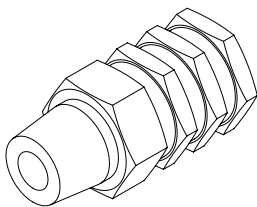
Part No.	R1802050
Description	Elbow 90°: #6 FPTX - #6 MPT



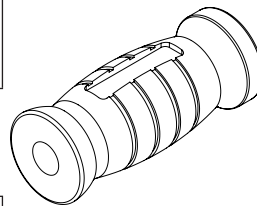
Part No.	R1802052
Description	Tee: #6 FPTX - #6 MPT - #6 FPTX



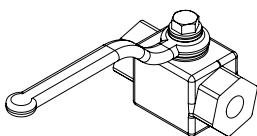
Part No.	R1802053
Description	Tee: #6 FPTX - #6 FPTX - #6 FPTX



Part No.	n/a
Description	Handle Adapter: # 8 NPT (Included with all Handle Grips)

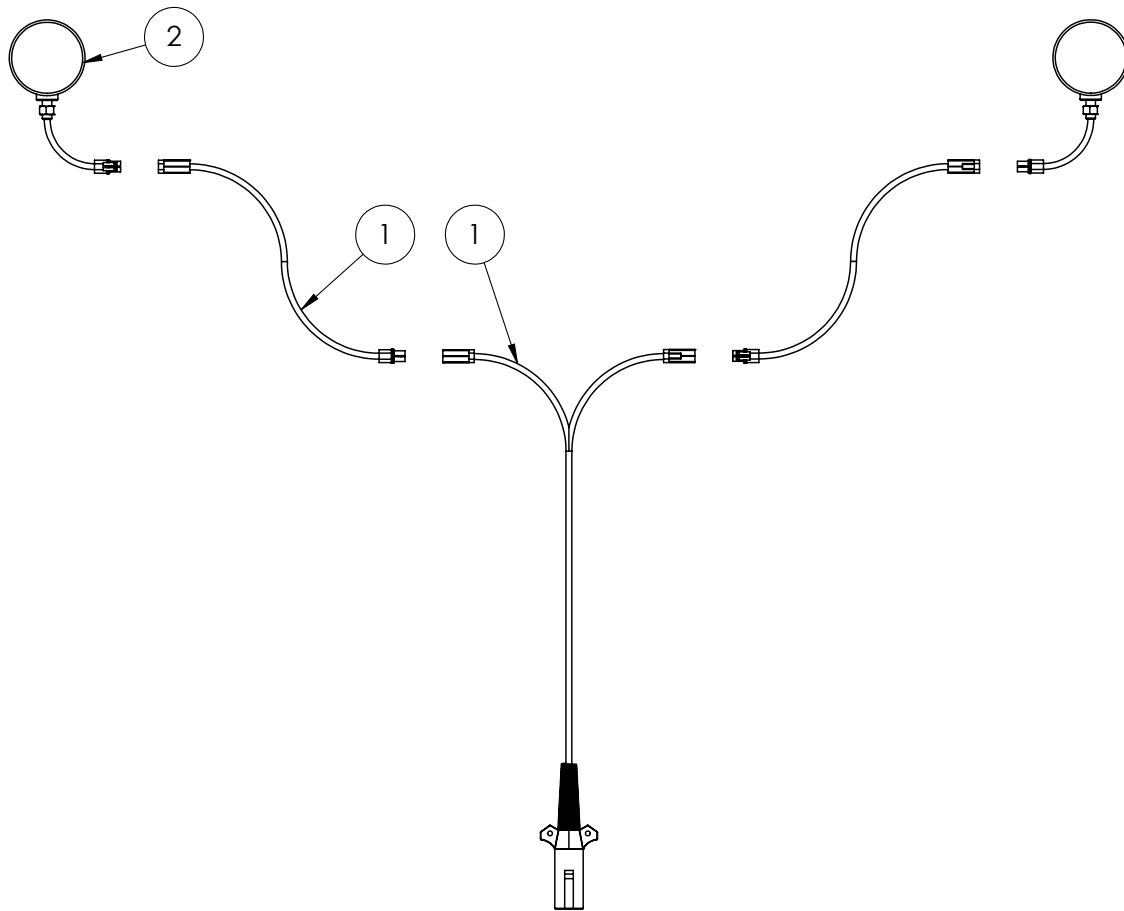


Part No.	R1899010
Description	Handle Grip: Blue
Part No.	R1899011
Description	Handle Grip: Green
Part No.	R1899012
Description	Handle Grip: Red
Part No.	R1899013
Description	Handle Grip: Yellow



Part No.	R1802055
Description	Ball Valve: #6 FPT - #6 FPT

**Standard 3/8" Hydraulic Hose  
For Hydraulic Kits Please Inquire**



Item	Part #	Description	Qty
1	KL100019	Light Kit, 3-Plex Land Roller, 30 Series: 30'-50'	1
2	R1701001	Light, Hazard, LED: Red/Amber	2



<b>Part No.</b>	R9908002-02
<b>Description</b>	Wheel, Yellow, Pan: 16" x 6", +1-1/8"OS
<b>Part No.</b>	KW100001-02
<b>Description</b>	Wheel/Tire Assembly, Pan Style Wheel



<b>Part No.</b>	R9908002
<b>Description</b>	Wheel, Yellow: 16" x 6", +1-1/8"OS
<b>Part No.</b>	KW100001
<b>Description</b>	Wheel/Tire Assembly

## LAND ROLLER ACRE COUNTER

# CONVERSION CHART

42" Diameter Drum Land Roller	
6'	0.73
8'	0.97
10'	1.21
12'	1.45
15'	1.82
20'	2.42
30'	3.63
34'	4.12
40'	4.85
42'	5.09
45'	5.45
50'	6.06
60'	7.27
61'	7.39
62'	7.51
65'	7.88
70'	8.48
75'	9.09
80'	9.69
85'	10.30

36" Diameter Drum Land Roller	
6'	0.73
8'	0.97
10'	1.21
12'	1.45
15'	1.82
20'	2.42
30'	3.63
34'	4.12
40'	4.85
42'	5.09
45'	5.45
50'	6.06
60'	7.27
61'	7.39
62'	7.51
65'	7.88
70'	8.48
75'	9.09
80'	9.69
85'	10.30

\*\* NOTE \*\*  
*Acre Counters are specifically calibrated for either a 42" or 36" diameter drum. This is why the multiplier numbers are identical.*

\*\* USING THE CONVERSION CHART \*\*

- Step 1: Always remember to check acre counter reading before you start rolling. **IMPORTANT!!** Write this number down!
  
- Step 2: When finished rolling, calculate the difference from beginning to end of the acre counter
  
- Step 3: Multiply acre counter number (ending number minus starting number) with the number as sociated on the chart above. Make sure to use the right land roller LENGTH and DRUM SIZE

<b>ACRE COUNTERS</b>		
Item	Part No.	Description
1	AA001001	Acre Counter w/Bracket: 36" Drum (560 rev/mile)
2	AA001002	Acre Counter w/Bracket: 42" Drum (480 rev/mile)



REVISION: 2.0

PART #: R9912003

RELEASED: JANUARY 01, 2019

MANDAKO AGRI MARKETING (2010) LTD.



Printed in Canada