



13' Storm

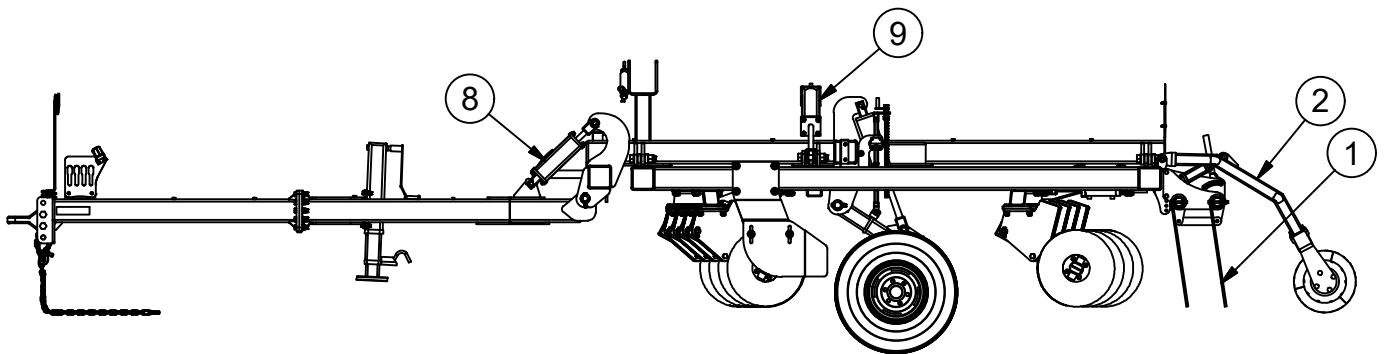
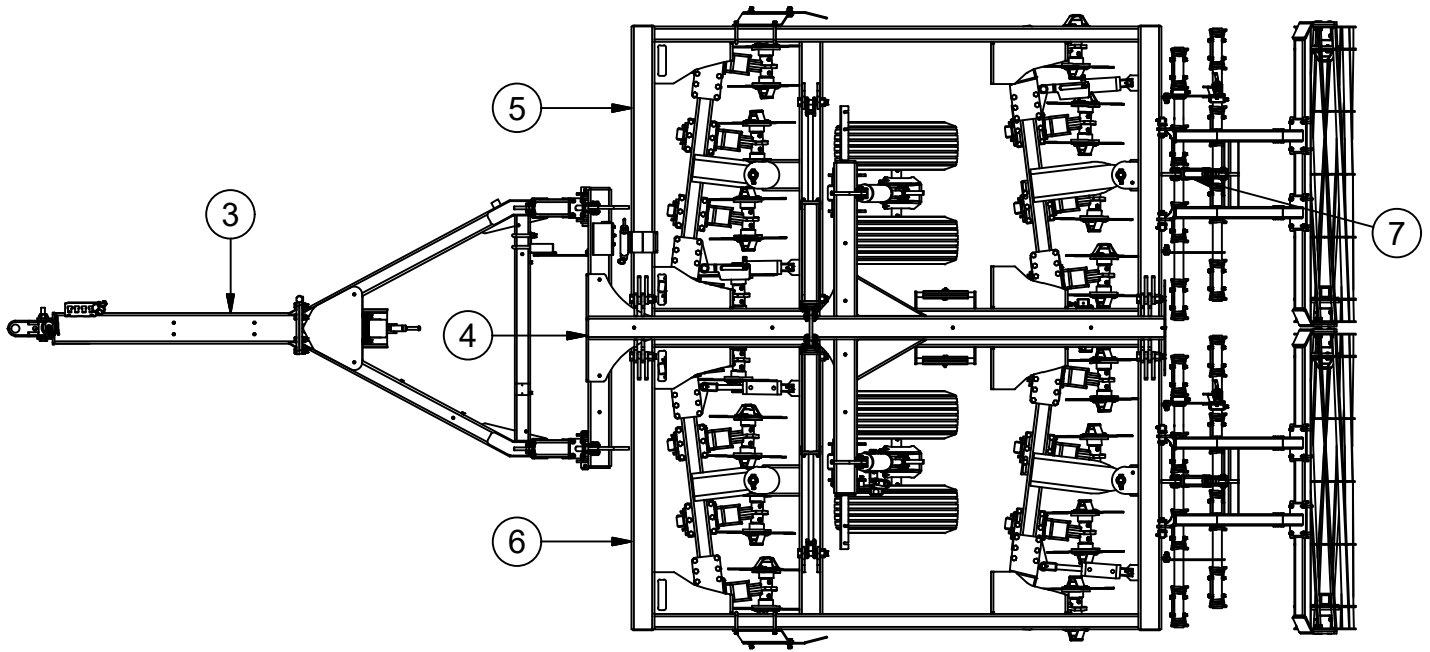
20 Series

Parts Manual

Table of Contents

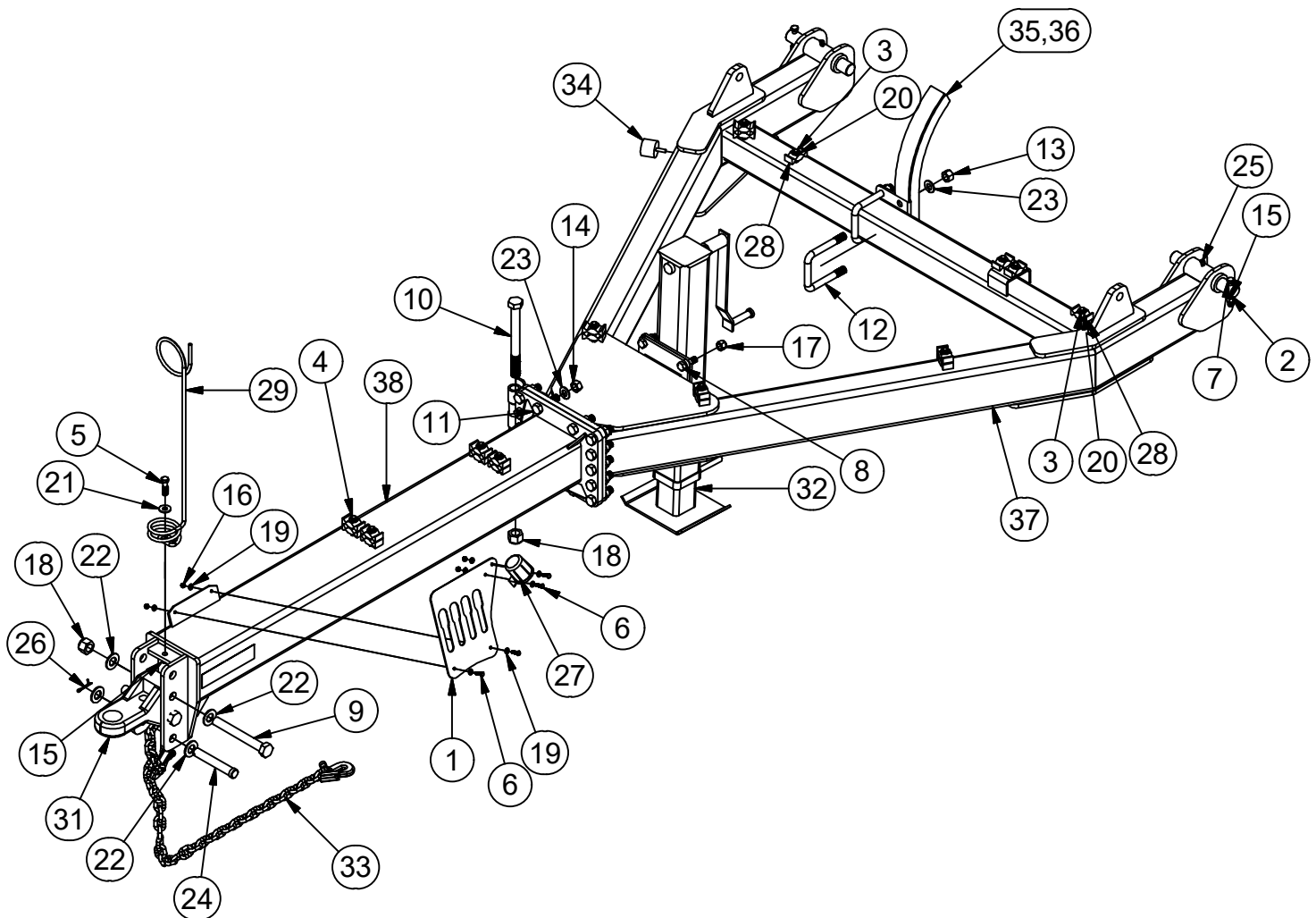
13' Storm Overview.....	1
Hitch Assembly.....	2
Main Frame: Euro Storm 13'.....	3
Main Wing, Euro Storm, RH: 6.5'.....	4
Main Wing, Euro Storm, LH: 6.5'.....	5
Harrow Assembly: 6.5'.....	6
Rolling Basket Assembly: Complete - 6.5'.....	7
Basket Arm Assembly.....	8
Rolling Basket/Cradle Assembly: 6.5'.....	9
Axle and Wheels Assembly: 6-Bolt.....	10
Tool Bar Assembly, Right Front Center: 6.5'.....	11
Tool Bar Assembly, Right Rear Center: 6.5'.....	12
Tool Bar Assembly, Left Front Center: 6.5'.....	13
Tool Bar Assembly, Left Rear Center: 6.5'.....	14
Tool Bar Angle Gauge.....	15
Spring/Shank Assembly: Right/Left/Front Center (Right Shown).....	16
Spring/Shank Assembly: Right Rear Center.....	17
Deflector Shield: RH/LH.....	18
Depth Control Assembly.....	19
Hub Assembly: 6-Bolt.....	20
Coulter Hub Assembly.....	21
Hydraulics: Hitch.....	22
Hydraulics: Front Tool Bars.....	23
Hydraulics: Rear Tool Bars.....	24
Hydraulics: Wheel Lift.....	25
Hydraulics: Wing Lift.....	26
Hydraulics: Rolling Baskets.....	27

13' Storm Overview



S1320: 13 ft Storm			S1320: 13 ft Storm		
ITEM	PART NUMBER	DESCRIPTION	ITEM	PART NUMBER	DESCRIPTION
1	Page 6	Harrows, 2-Row: 80"	6	Page 5	Euro Storm Main, LH: 80"
2	Page 7	Rolling Basket Complete: 80"	7	Page 27	See Hydraulics
3	Page 2	Assembly, Hitch, Folding	8	Page 22	See Hydraulcis
4	Page 3	Euro Storm Main: 13 Ft	9	Page 26	See Hydraulics
5	Page 4	Euro Storm Main, RH: 80"			

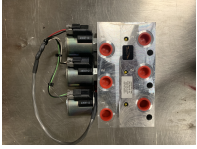
Hitch Assembly



AM001574: Hitch, Heavy Duty			AM001574: Hitch, Heavy Duty		
ITEM	PART NUMBER	DESCRIPTION	ITEM	PART NUMBER	DESCRIPTION
1	PP010001	Hydraulic Coupler Storage Plate	20	R0510104	Washer, USS, 3/8" x 1.000"
2	PR151002	Pin, 1-1/2"	21	R0510106	Washer, USS, 1/2"
3	R0110413	Bolt, 3/8"-16 x 1-1/4"	22	R0530211	Washer, 1" x 2" O.D.
4	R0110423	Bolt, 3/8"-16 x 2-1/4"	23	R0610009	Lock Washer, 3/4", Medium
5	R0110620	Bolt, 1/2"-13 x 2"	24	R0810601	Pin, Clevis, Safety Chain: 1" x 6"
6	R0130210	Bolt, 1/4"-20 x 1"	25	R1502502	Zerk, Grease: 1/8"-27 NPT - 45°
7	R0130635	Bolt, 1/2"-13 x 3-1/2"	26	R1619251	Pin, Cotter: 3/16" x 1.5"
8	R0130820	Bolt, 5/8"-11 x 2"	27	R1701018	Protector, Electrical Plug 7 pin round
9	R0131180	Bolt, 1"-8 x 8"	28	R1804004	Clamp, 3/8" Hose (dual) - Large
10	R01311A0	Bolt, 1"-8 x 10"	29	R1899001	Retainer, Hose, Spring loaded .375x4x30
11	R0140930	Bolt, 3/4"-16 x 3" Fine Thread	31	R9901003	Hitch, Pintle, Cat 3 - 2 on 3" Holes
12	R0239458	U-Bolt, 3/4"-10, 5.75"x4.06"x5.75"	32	R9909001	Jack, Hitch, 15K Heavy Duty, Fixed Bolt On
13	R0310109	Nut, Hex, 3/4"-10	33	R9910002	1/2" Safety Chain, with Clevis link
14	R0340109	Nut, 3/4"-16 Fine Thread	34	R9911002	Mount Isolation 2" x 1-5/8"
15	R0410106	Nut, Nylon Insert Lock, 1/2"-13	35	R9913115	Leveling Gauge Decal
16	R0410102	Nut, Nylon Insert Lock, 1/4"-20	36	WC001566	Levelling Gauge, Hitch
17	R0430108	Nut, Nylon Insert Lock, 5/8"-11	37	WM001574	A-Frame, Folding Hitch
18	R0430111	Nut, Nylon Insert Lock, 1"-8	38	WM001575	Tongue, Folding Hitch
19	R0510102	Washer, USS, 1/4" x 0.625"			

Main Frame: Euro Storm 13'

B

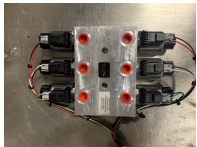


NOTE
If replacing Selector Valves (#25) that look like photo "B", the replacement valve will be the valve in photo "A". New bracket, shield and fittings will be required to fit machine.

Stamped

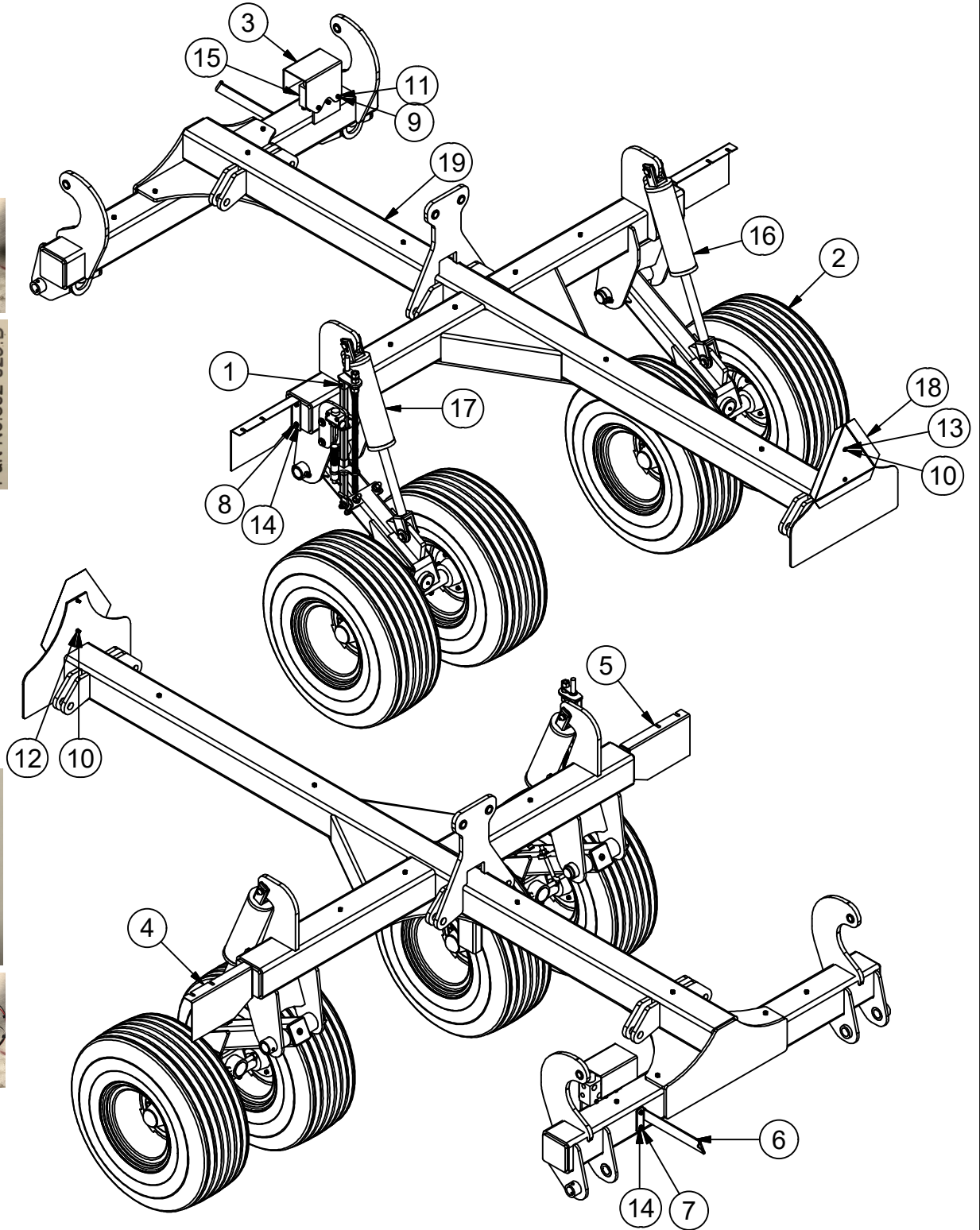
Part No:302-029.D

A



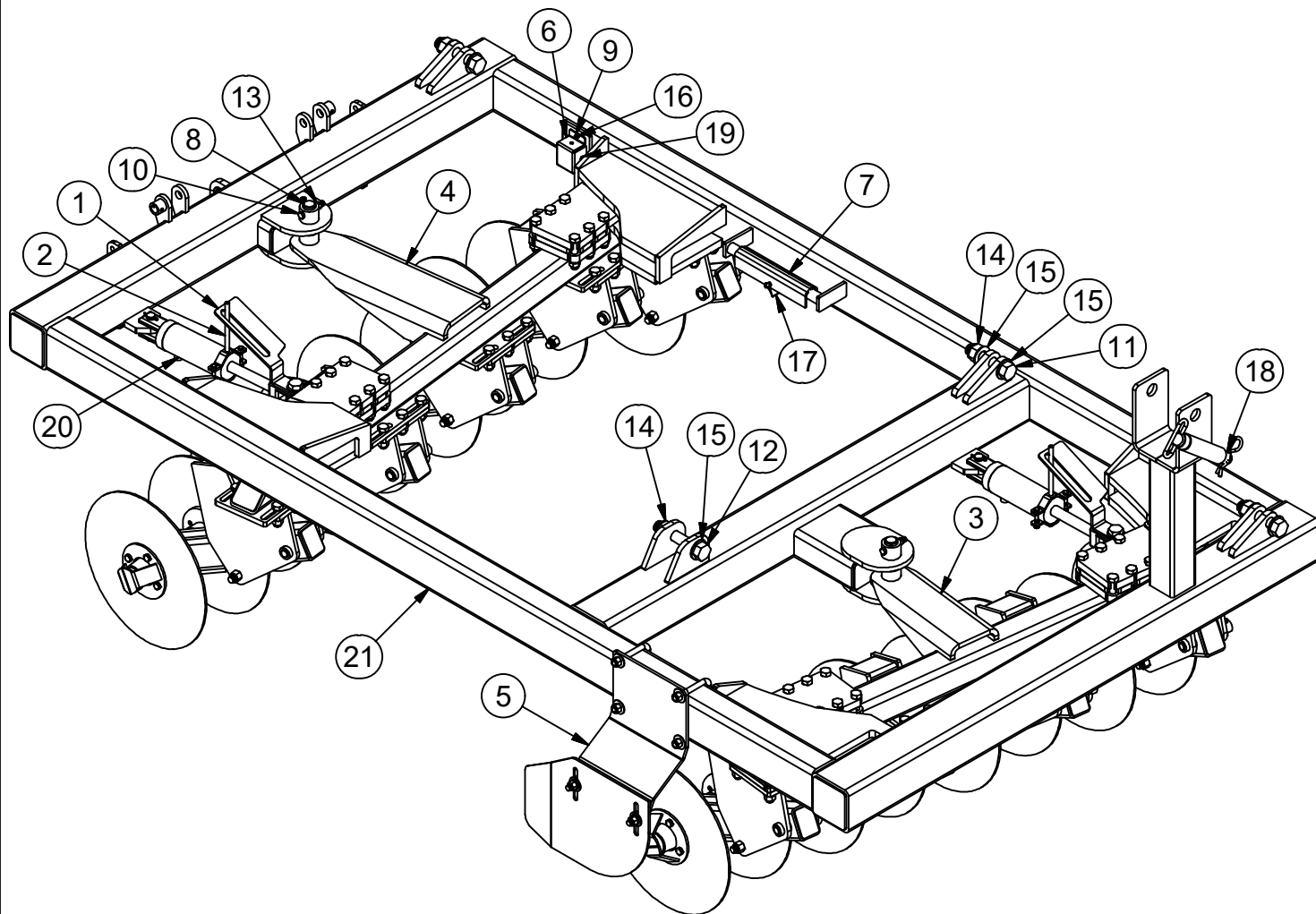
Stamped

Part No:302-904.RLSD



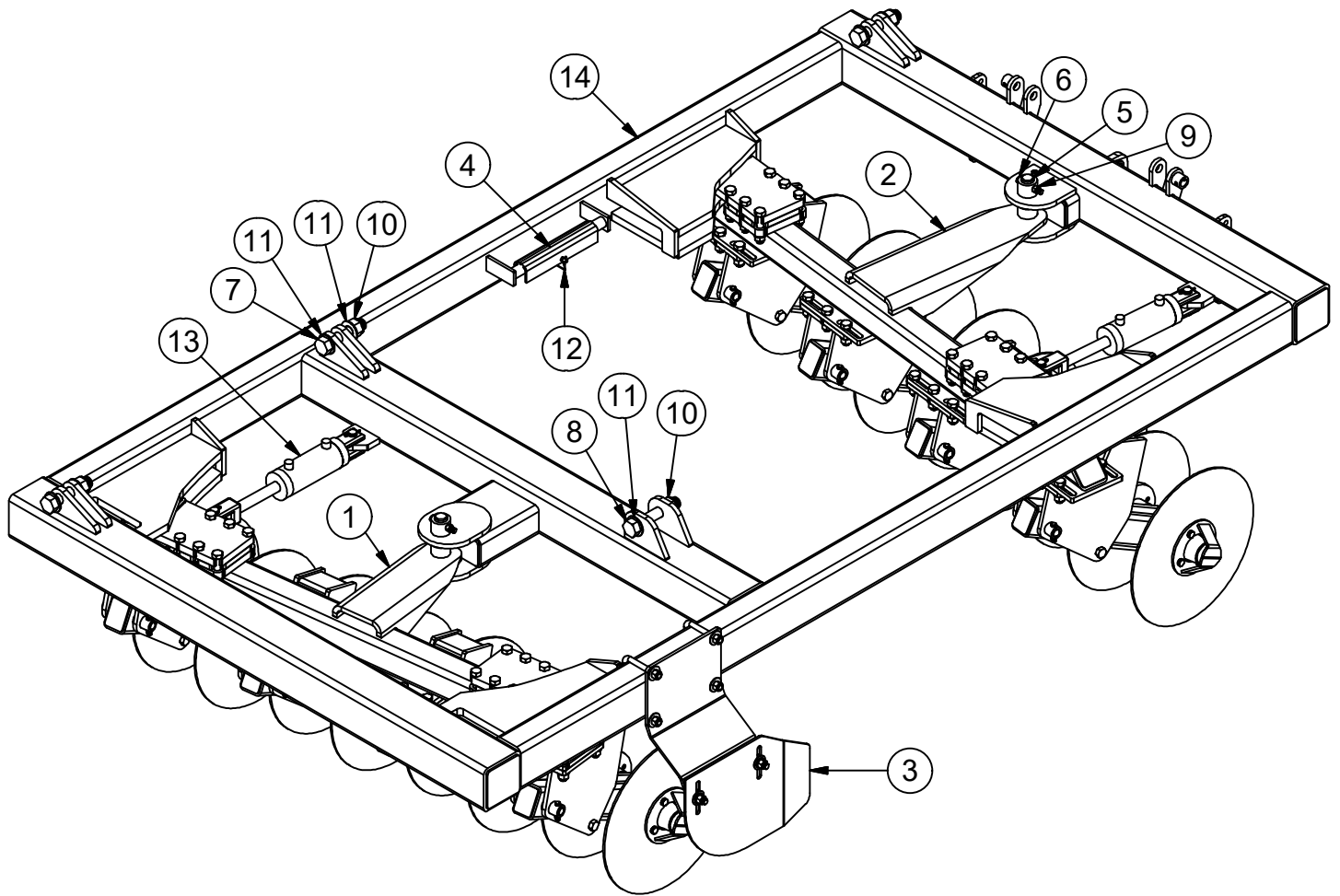
AM003600: Euro Storm Main: 13 Ft			AM003600: Euro Storm Main: 13 Ft		
ITEM	PART NUMBER	DESCRIPTION	ITEM	PART NUMBER	DESCRIPTION
1	AC003610	Depth Control Assembly, Euro	11	R0410104	Nut, Nylon Insert Lock, Grade 2, 3/8"-16
2	AC003621	Assembly, Axle & Wheels, Euro: 6 Bolt	12	R0430102	Nut, Nylon Insert Lock, Grd 8, 1/4"-20
3	Inquire	Selector Valve Shield	13	R0510102	Washer, USS, 1/4" x 0.625"
4	PP011005	Light Bracket, Right	14	R0610003	Lock Washer, 3/8", Medium
5	PP011006	Light Bracket, Left	15	R1803007	Selector Valve. 1 - 3 ports w/Wiring & Box
6	PP032510	Gauge, Floating Hitch	16	R1931205	Cylinder, Reaph: 3.75" x 12" - 22-1/4" Ret.
7	R0110408	Bolt, Grade 5, 3/8"-16 x 3/4"	17	R1941206	Cylinder, Reaph: 4" x 12" - 22-1/4" Ret.
8	R0110410	Bolt, Grade 5, 3/8"-16 x 1"	18	R9913001	Sign, SMV Emblem w/ Aluminum backing
9	R0110435	Bolt, Grade 5, 3/8"-16 x 3-1/2"	19	WM003600	Frame, Main: 13' Euro
10	R0130210	Bolt, Grade 8, 1/4"-20 x 1"			

Main Wing, Euro Storm, RH: 6.5'



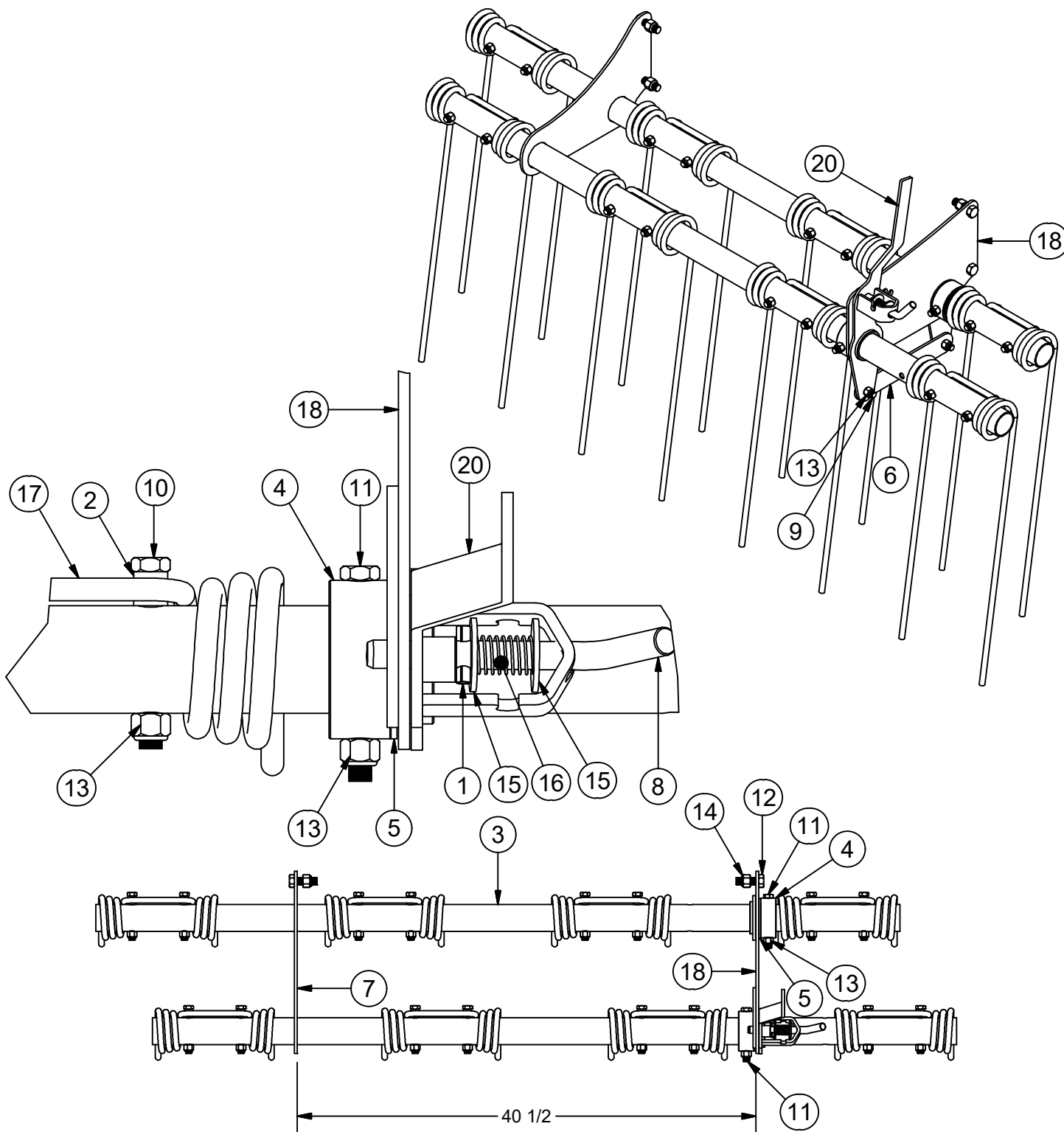
Euro Storm Main, RH: 80"			Euro Storm Main, RH: 80"		
ITEM	PART NUMBER	DESCRIPTION	ITEM	PART NUMBER	DESCRIPTION
1	AC003513	Tool Bar Angle Gauge Assembly	12	R0131385-2	Bolt, Grade 8, 1-1/4"-7 x 8-1/2" Cut to 7"
2	AC003514	Depth Gauge Cylinder Marker	13	R0410106	Nut, Nylon Insert Lock, Grade 2, 1/2"-13
3	AC003600C	Tool Bar, Right Front Center: 80	14	R0410113	Nut, Nylon Insert Lock, Grade 2, 1-1/4"-7
4	AC003604E	Tool Bar, Right Rear Center: 80, Euro	15	R0510213	Washer, SAE, 1-1/4" x 2.500"
5	AC003612	Deflector Shield - Right	16	R0610002	Lock Washer, 1/4", Medium
6	PG103602	Safety Switch Box	17	R0804281	Pin, Snapper, 3/8" x 3"
7	PP031001	Stop, Cylinder, Safety	18	R0815001	Pin, Hitch: 1-1/2" x 8-1/2" Red Handle
8	Inquire	Tool Bar Swivel Pin	19	R1701033	Button Switch
9	R0130205	Bolt, 1/4"-20 x 1/2"	20	R1920600	Cylinder, Reeph: 2.75" x 6" - 16.25" Ret.
10	R0130635	Bolt, Grade 8, 1/2"-13 x 3-1/2"	21	WM003601	Frame, Main, Euro, RH: 80
11	R0131385-1	Bolt, Grd 8: 1-1/4" x 8-1/2" Cut to 6"			

Main Wing, Euro Storm, LH: 6.5'



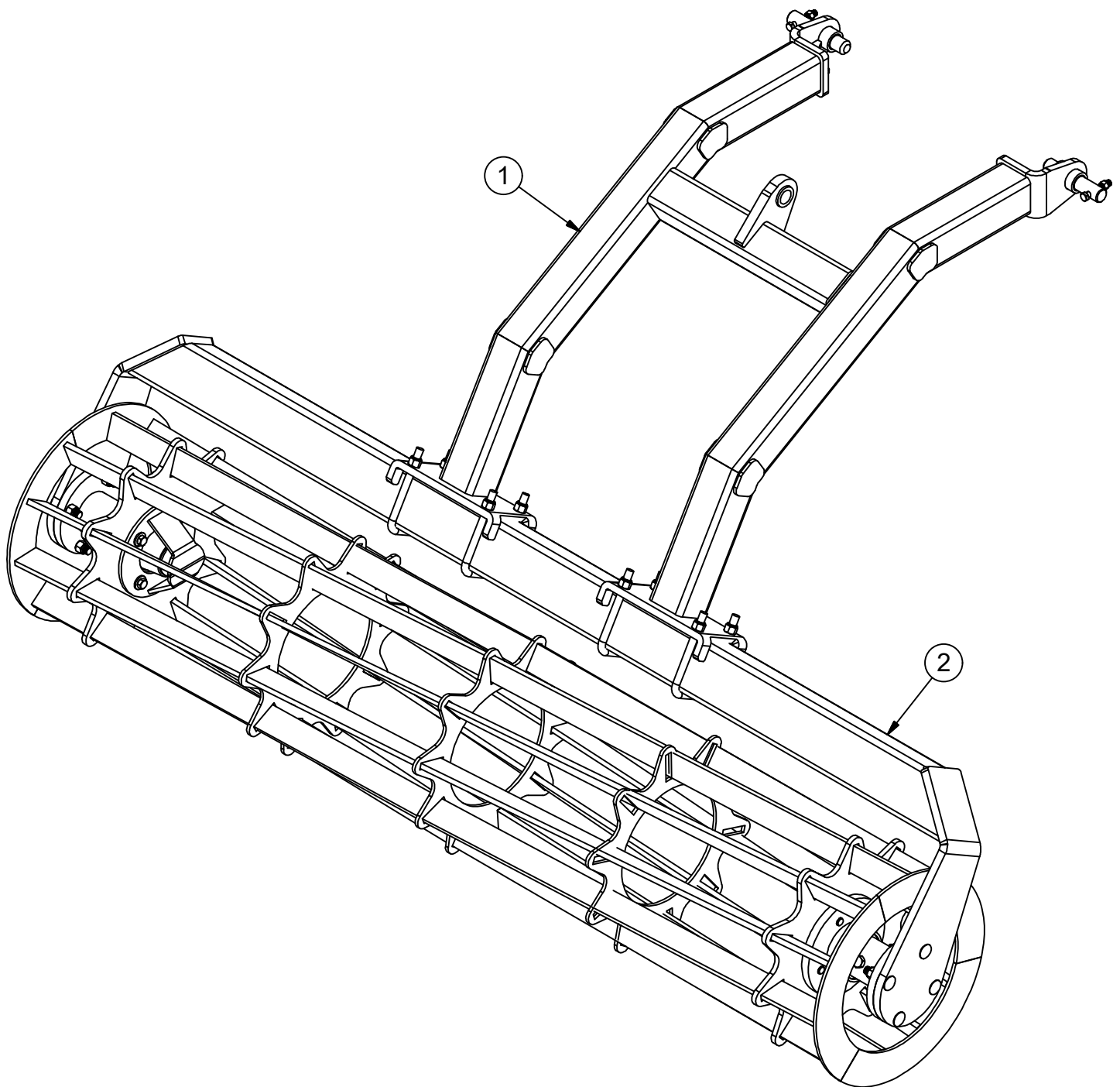
Euro Storm Main, LH: 80"			Euro Storm Main, LH: 80"		
ITEM	PART NUMBER	DESCRIPTION	ITEM	PART NUMBER	DESCRIPTION
1	AC003601C	Tool Bar, Left Front Center: 80	8	R0131385-2	Bolt, Grade 8, 1-1/4"-7 x 8-1/2" Cut to 7"
2	AC003603	Tool Bar, Left Rear: 80	9	R0410106	Nut, Nylon Insert Lock, Grade 2, 1/2"-13
3	AC003613	Deflector Shield - Left	10	R0410113	Nut, Nylon Insert Lock, Grade 2, 1-1/4"-7
4	PP031001	Stop, Cylinder, Safety	11	R0510213	Washer, SAE, 1-1/4" x 2.500"
5	Inquire	Tool Bar Swivel Pin	12	R0804281	Pin, Snapper, 3/8" x 3"
6	R0130635	Bolt, Grade 8, 1/2"-13 x 3-1/2"	13	R1930602	Cylinder, Re-ph: 3" x 6" - 16.25" Ret.
7	R0131385-1	Bolt, Grd 8: 1-1/4" x 8-1/2" Cut to 6"	14	WM003602	Frame, Main, Euro, LH: 80

Harrow Assembly: 6.5'



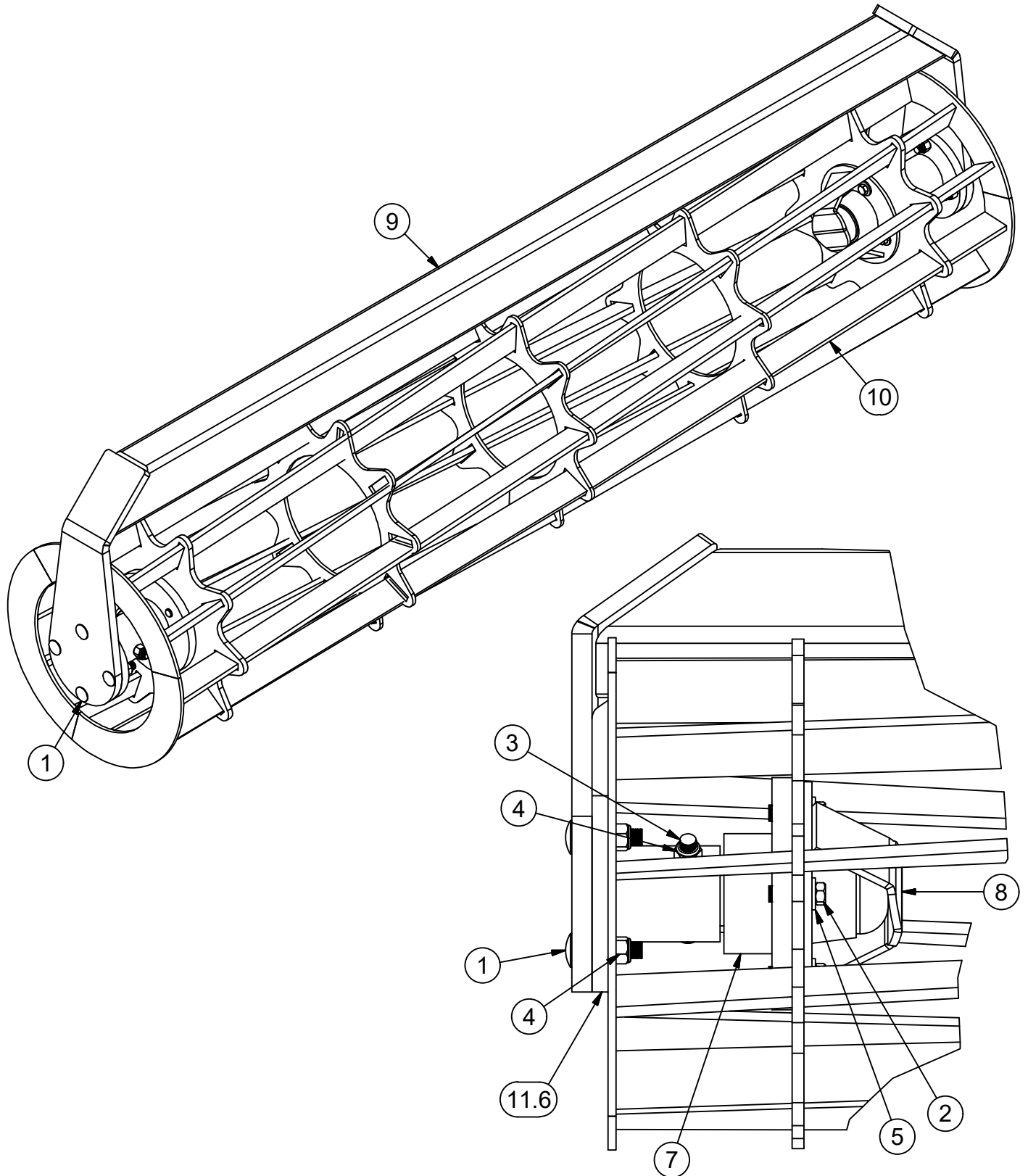
AC003511: Harrows - 80"			AC003511: Harrows - 80"		
ITEM	PART NUMBER	DESCRIPTION	ITEM	PART NUMBER	DESCRIPTION
1	Inquire	Split Shear Pin - 3/8" x 1-1/4"	11	R0130645	Bolt, Grade 8, 1/2"-13 x 4-1/2"
2	PB081001	Bushing, Tine	12	R0130820	Bolt, Grade 8, 5/8"-11 x 2"
3	PB232510	Harrow Bar - 80"	13	R0410106	Nut, Nylon Insert Lock, Grade 2, 1/2"-13
4	PB354601	Locking Collar	14	R0410108	Nut, Nylon Insert Lock, Grade 2, 5/8"-11
5	PP011002	Spacer Washer	15	R0540108	Washer, USS, 5/8"
6	PP031004	Bar, Linkage, 2-Row Harrow	16	R0928001	Spring, Shank, Inner: .437" x 2.6" x 10"
7	PP032514	Harrow Slide Plate: 2-Row	17	R9930004	10 Inch Harrow Tine, 0.500 X 27.25" Leg
8	R0806401-01	Adjustment Handle	18	WC003510	Harrow Plate Weldment: 2-Row
9	R0110615	Bolt, Grade 5, 1/2"-13 x 1-1/2"	19	WC004619	Adjustment Bracket
10	R0130640	Bolt, Grade 8, 1/2"-13 x 4"	20	WC004620	Handle Bracket

Rolling Basket Assembly: Complete - 6.5'



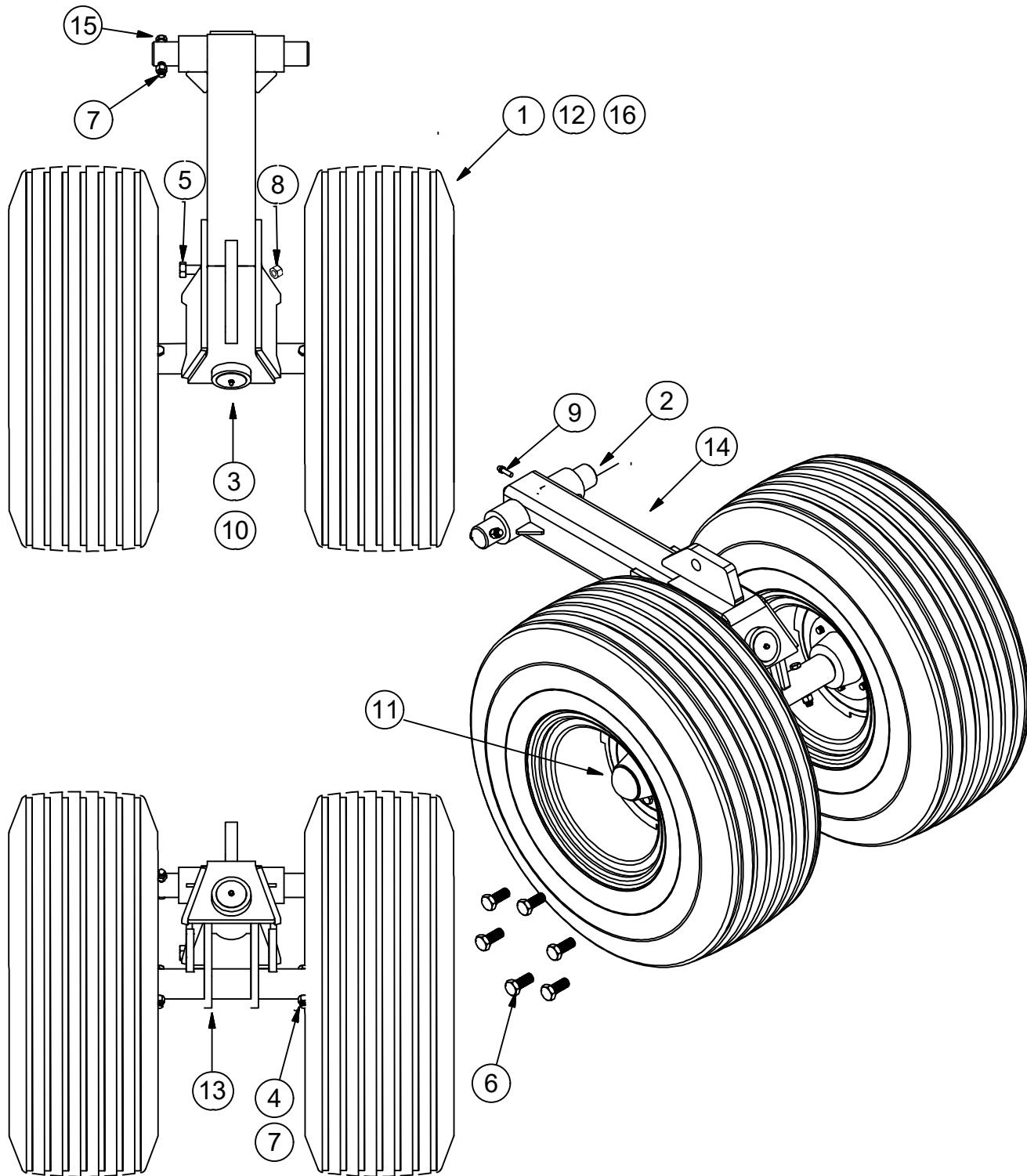
AC003618: Rolling Basket Complete: 80"			AC003618: Rolling Basket Complete: 80"		
ITEM	PART NUMBER	DESCRIPTION	ITEM	PART NUMBER	DESCRIPTION
1	AC001574	Basket Arms Assembly	2	AC003616	Rolling Basket: 80

Rolling Basket/Cradle Assembly: 6.5'



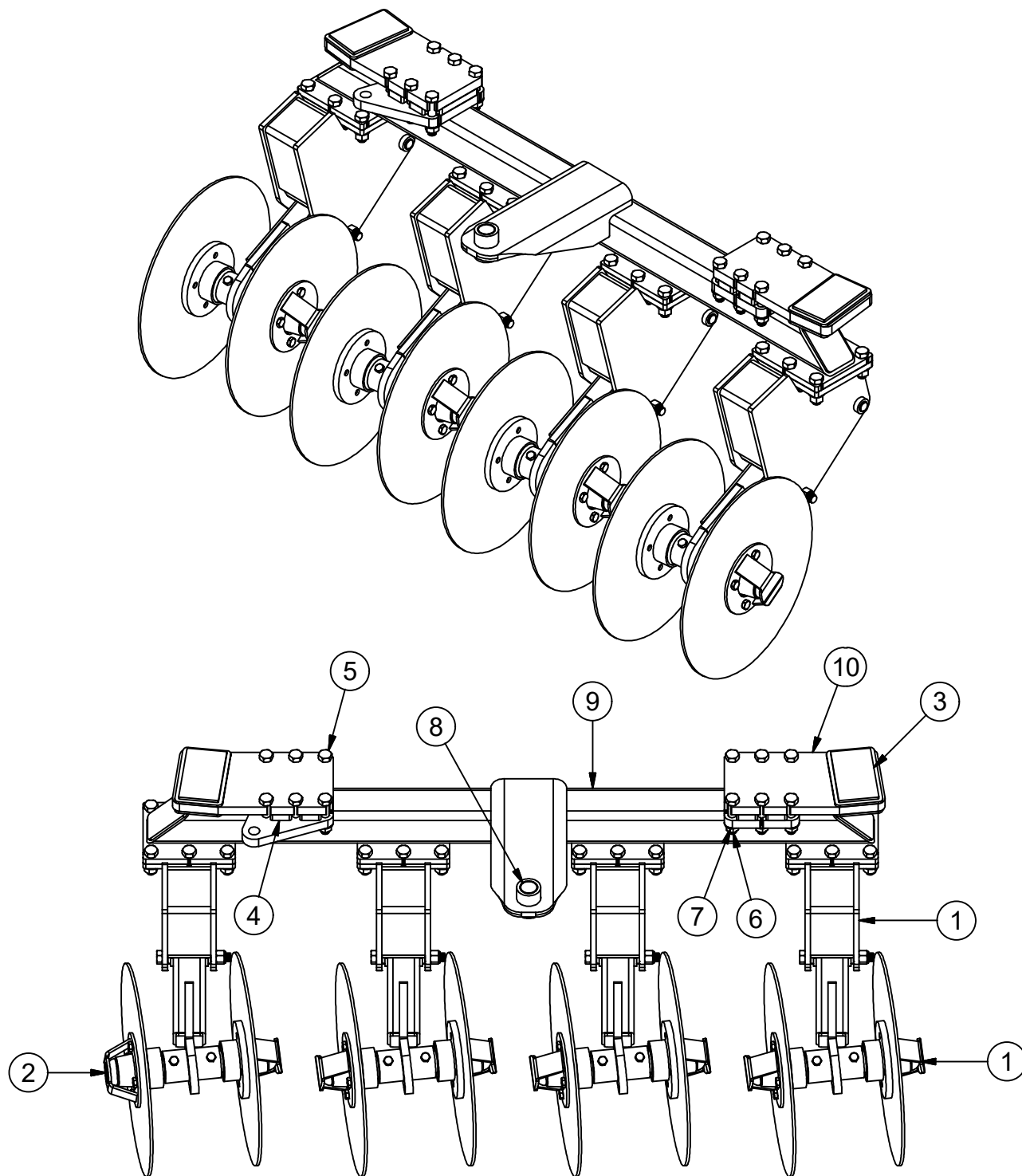
AC003616: Rolling Basket: 80"			AC003616: Rolling Basket: 80"		
ITEM	PART NUMBER	DESCRIPTION	ITEM	PART NUMBER	DESCRIPTION
1	R0710620	Bolt, Carriage, Grade 5, 1/2"-13 x 2"	7	R9903016	Assy, Coulters Hub / Spindle - Modified
2	R0130615	Bolt, Grade 8, 1/2"-13 x 1-1/2"	8	WC001016	Shield, Hub: Round Dust Cap
3	R0130640	Bolt, Grade 8, 1/2"-13 x 4"	9	WC003630	Cradle, Rolling Basket, 80
4	R0410106	Nut, Nylon Insert Lock, Grade 2, 1/2"-13	10	WC003632	Rolling Basket - 80"
5	R0620006	Lock Washer, 1/2", High Alloy, Medium	11	WC003633	Rolling Basket Spindle Housing
6	R1022500	Bushing, Greaseless, 2.0" ID x 2.0"L			

Axle and Wheels Assembly: 6-Bolt



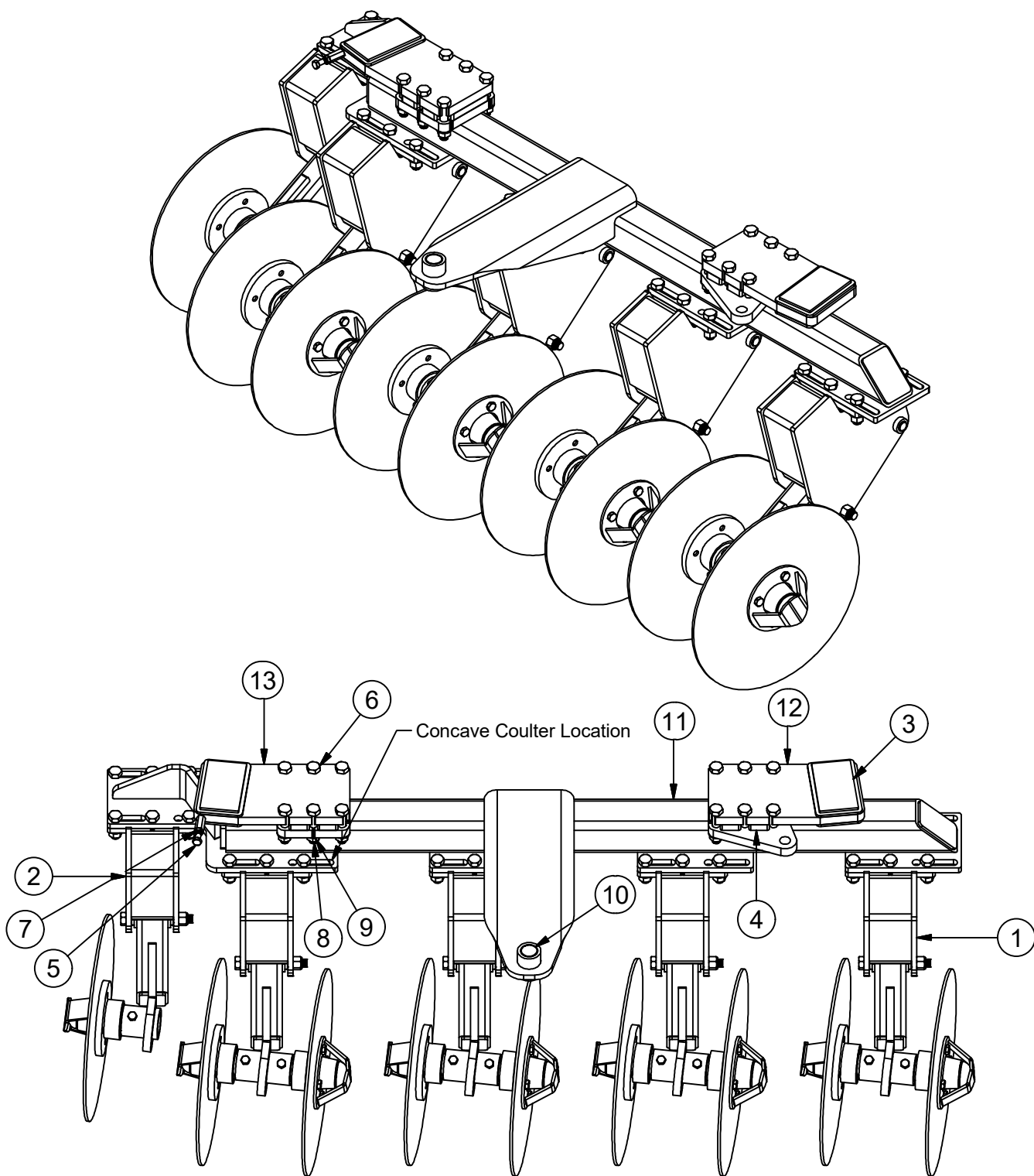
Assembly, Axle & Wheels, Euro: 6 Bolt			Assembly, Axle & Wheels, Euro: 6 Bolt		
ITEM	PART NUMBER	DESCRIPTION	ITEM	PART NUMBER	DESCRIPTION
1	KW100004	6 Bolt Wheel With Firestone Tires	9	R1502509	Zerk, Grease: 1/8"-27 NPT -.75"
2	PR201501	Pin, Axle, Custom, 2" x 13" YZP	10	R1502510	Zerk, Grease: 1/4"-18 NPT
3	PR251001	Shaft, Rotation, Axle: 2.50" x 10"	11	See Page	Assembly, 6 Bolt Wheel Hub / Spindle
4	R0130635	Bolt, 1/2"-13 x 3-1/2"	12	R9908004	Wheel, Flotation, 6 Bolt: 32
5	R0130950	Bolt, 3/4"-10 x 5"	13	WC001578	Housing, Spindles, Rocker Axle: 6 Bolt
6	R0150713	Bolt, Lug (Fine): 9/16"-18 x 1-1/4"	14	WC003636	Rocker Axle Arm, Euro
7	R0410106	Nut, Nylon Insert Lock, 1/2"-13	15	R0130640	Bolt, 1/2"-13 x 4"
8	R0410109	Nut, Nylon Insert Lock, Grade 2, 3/4"-10	16	R9907001	Tire, Flotation, 320/70R15 (12.5L), FS

Tool Bar Assembly, Right Front Center: 6.5'



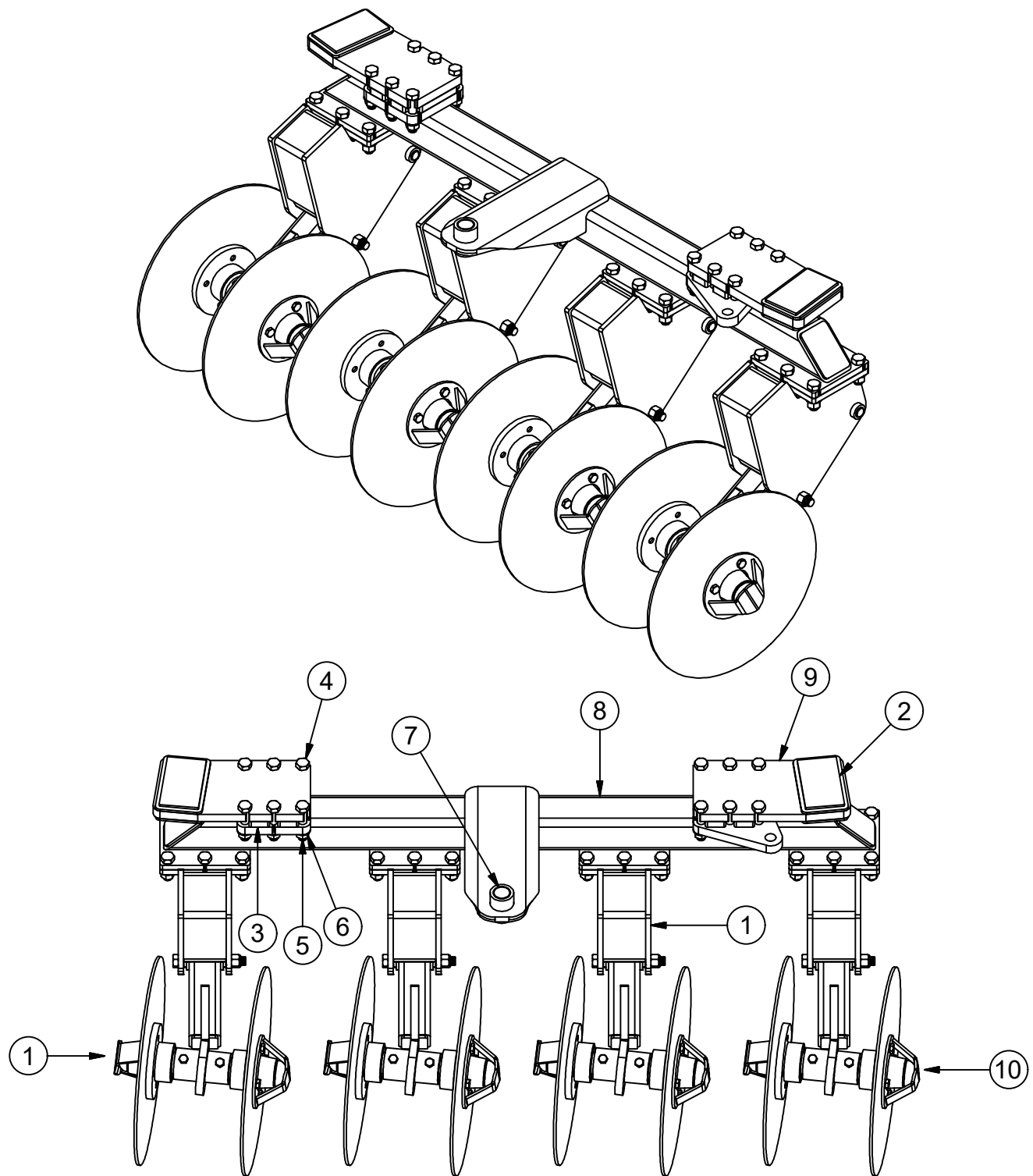
Tool Bar, Right Front Center: 80"			Tool Bar, Right Front Center: 80"		
ITEM	PART NUMBER	DESCRIPTION	ITEM	PART NUMBER	DESCRIPTION
1	AC002509	Assembly, Shank: Right	6	R0340109	Nut, Grade 8, 3/4"-16 Fine Thread
2	Inquire	Assembly, Shank: Right Center	7	R0610009	Lock Washer, 3/4", Medium
3	PM032503	UHMW Glide Plate	8	R1015003	Bushing, Greaseless, 1.5" ID x 1.5"L
4	PP082514	Tool Bar Bolt Plate	9	Inquire	Tool Bar, RF: 80"
5	R0140940	Bolt, Grade 8, 3/4"-16 x 4" Fine Thread	10	Inquire	Tool Bar Glide Pad Bracket

Tool Bar Assembly, Right Rear Center: 6.5'



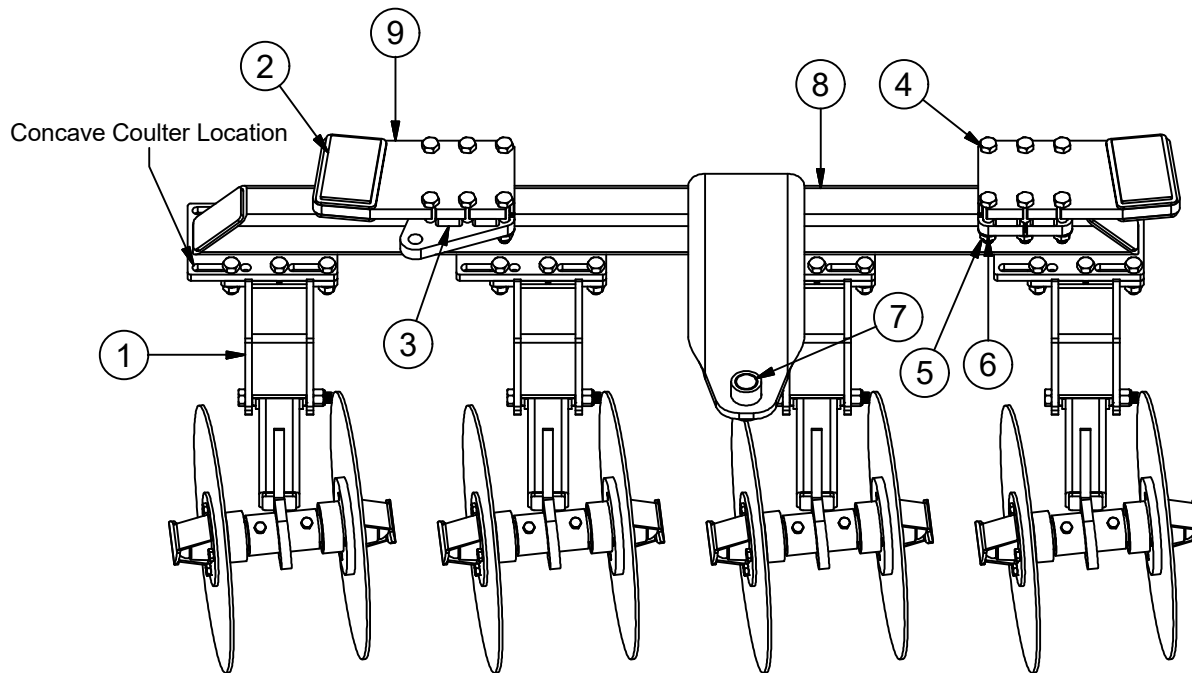
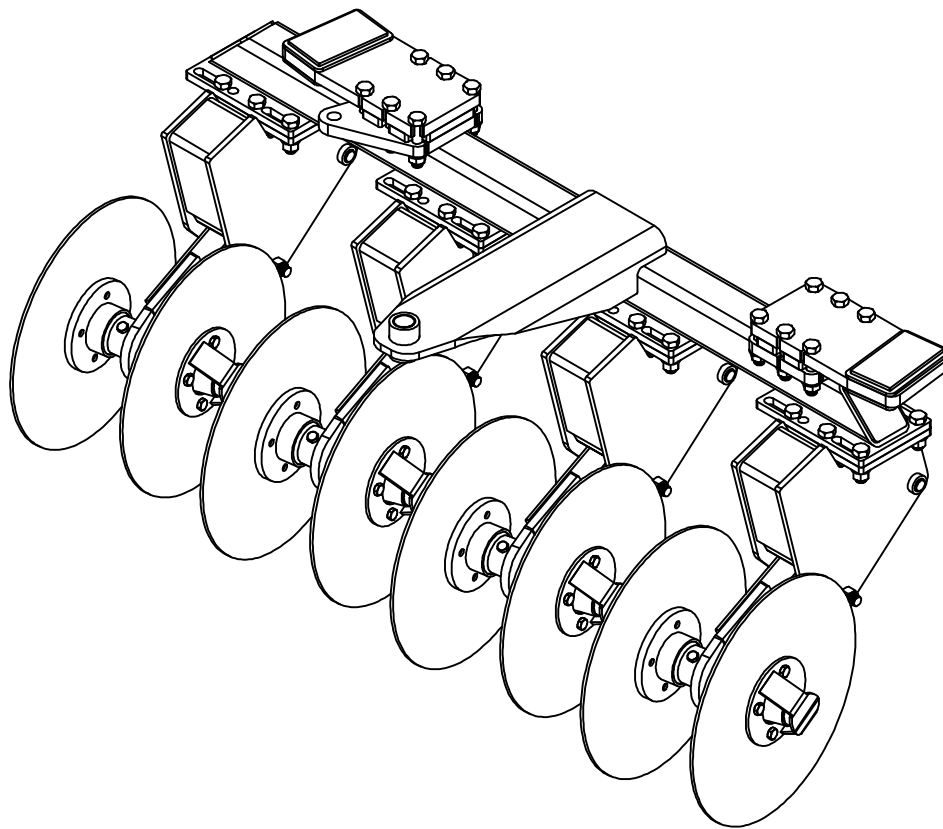
Tool Bar, Right Rear Center: 80", Euro			Tool Bar, Right Rear Center: 80", Euro		
ITEM	PART NUMBER	DESCRIPTION	ITEM	PART NUMBER	DESCRIPTION
1	AC002510	Assembly, Shank: Left	8	R0340109	Nut, Grade 8, 3/4"-16 Fine Thread
2	See Page	Assembly, Shank: Right Rear Center	9	R0610009	Lock Washer, 3/4", Medium
3	PM032503	UHMW Glide Plate	10	R1015003	Bushing, Greaseless, 1.5" ID x 1.5"L
4	PP082514	Tool Bar Bolt Plate	11	WC003604	Tool Bar, Right Rear: 80"
5	R0110620	Bolt, Grade 5, 1/2"-13 x 2"	12	Inquire	Tool Bar Glide Pad Bracket
6	R0140940	Bolt, Grade 8, 3/4"-16 x 4" Fine Thread	13	Inquire	Tool Bar Glide Pad Bracket, Euro
7	Inquire	Nut, Narrow: 1/2"			

Tool Bar Assembly, Left Front Center: 6.5'



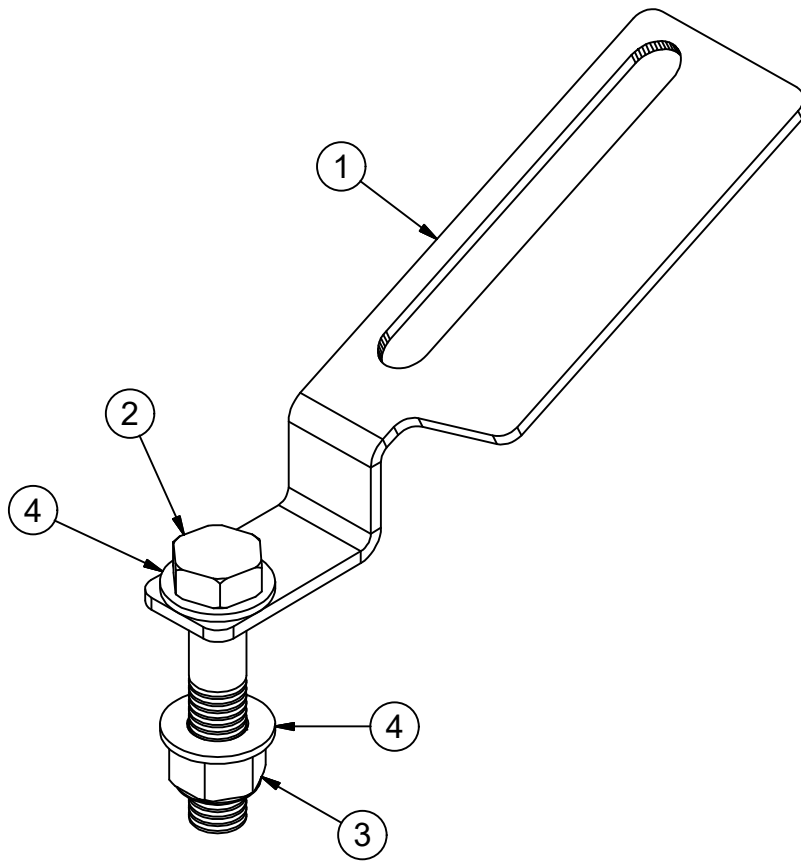
Tool Bar, Left Front: 80"			Tool Bar, Left Front: 80"		
ITEM	PART NUMBER	DESCRIPTION	ITEM	PART NUMBER	DESCRIPTION
1	AC002510	Assembly, Shank: Left	6	R0610009	Lock Washer, 3/4", Medium
2	PM032503	UHMW Glide Plate	7	R1015003	Bushing, Greaseless, 1.5" ID x 1.5"L
3	PP082514	Tool Bar Bolt Plate	8	WC003601	Tool Bar, LF: 80"
4	R0140940	Bolt, Grade 8, 3/4"-16 x 4" Fine Thread	9	WC003618	Tool Bar Glide Pad Bracket
5	R0340109	Nut, Grade 8, 3/4"-16 Fine Thread	10	Inquire	Assembly, Shank: Left Center

Tool Bar Assembly, Left Rear Center: 6.5'

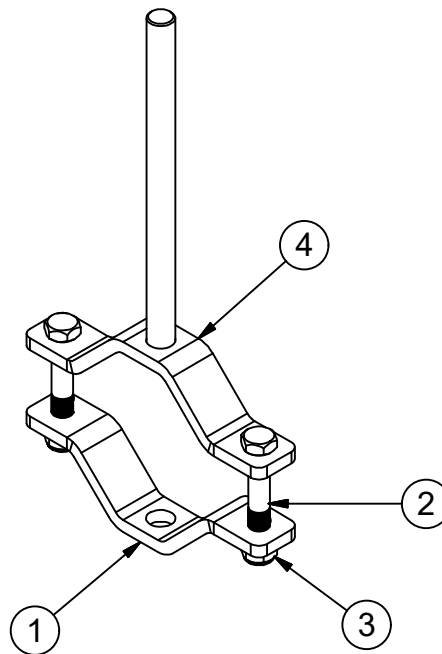


Tool Bar Assembly, LR: 80"			Tool Bar Assembly, LR: 80"		
ITEM	PART NUMBER	DESCRIPTION	ITEM	PART NUMBER	DESCRIPTION
1	AC002509	Assembly, Shank: Right	6	R0610009	Lock Washer, 3/4", Medium
2	PM032503	UHMW Glide Plate	7	R1015003	Bushing, Greaseless, 1.5" ID x 1.5"L
3	PP082514	Tool Bar Bolt Plate	8	Inquire	Tool Bar, LR: 80"
4	R0140940	Bolt, Grade 8, 3/4"-16 x 4" Fine Thread	9	Inquire	Tool Bar Glide Pad Bracket
5	R0340109	Nut, Grade 8, 3/4"-16 Fine Thread	2		

Tool Bar Angle Gauge

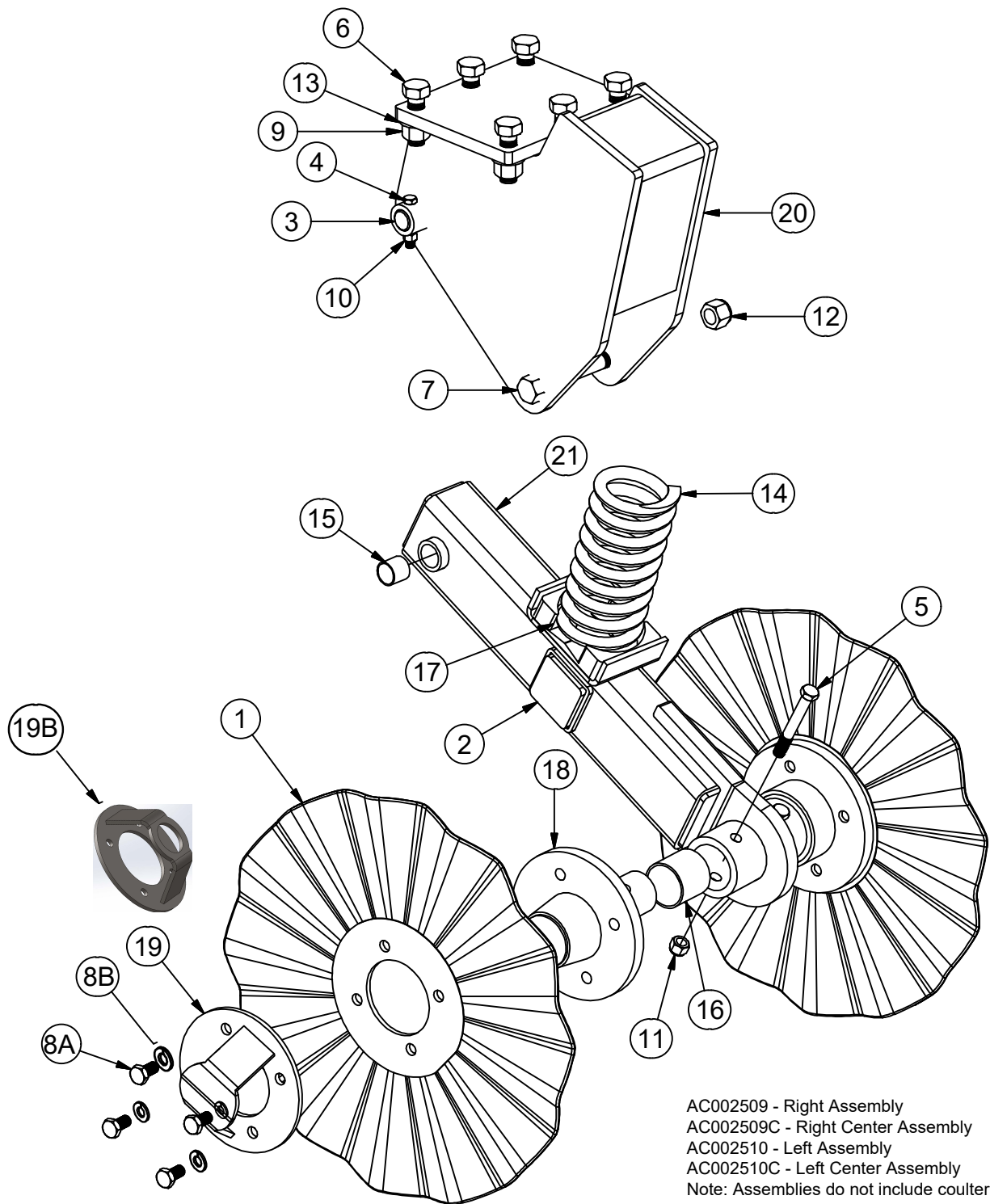


AC003513: Tool Bar Angle Gauge			AC003513: Tool Bar Angle Gauge		
ITEM	PART NUMBER	DESCRIPTION	ITEM	PART NUMBER	DESCRIPTION
1	PP032509	Storm Gauge, Tool Bar Angle	3	R0410111	Nut, Nylon Insert Lock, Grade 2, 1"-8
2	R0131150	Bolt, Grade 8, 1"-8 x 5"	4	R0530211	Washer, 1" x 2" O.D.



AC003514: Angle Gauge Cylinder Marker			AC003514: Angle Gauge Cylinder Marker		
ITEM	PART NUMBER	DESCRIPTION	ITEM	PART NUMBER	DESCRIPTION
1	PP032512	Mount Bracket, Indicator	3	R0410104	Nut, Nylon Insert Lock, Grade 2, 3/8"-16
2	R0110423	Bolt, Grade 5, 3/8"-16 x 2-1/4"	4	WC002572	Rod Bracket, Indicator

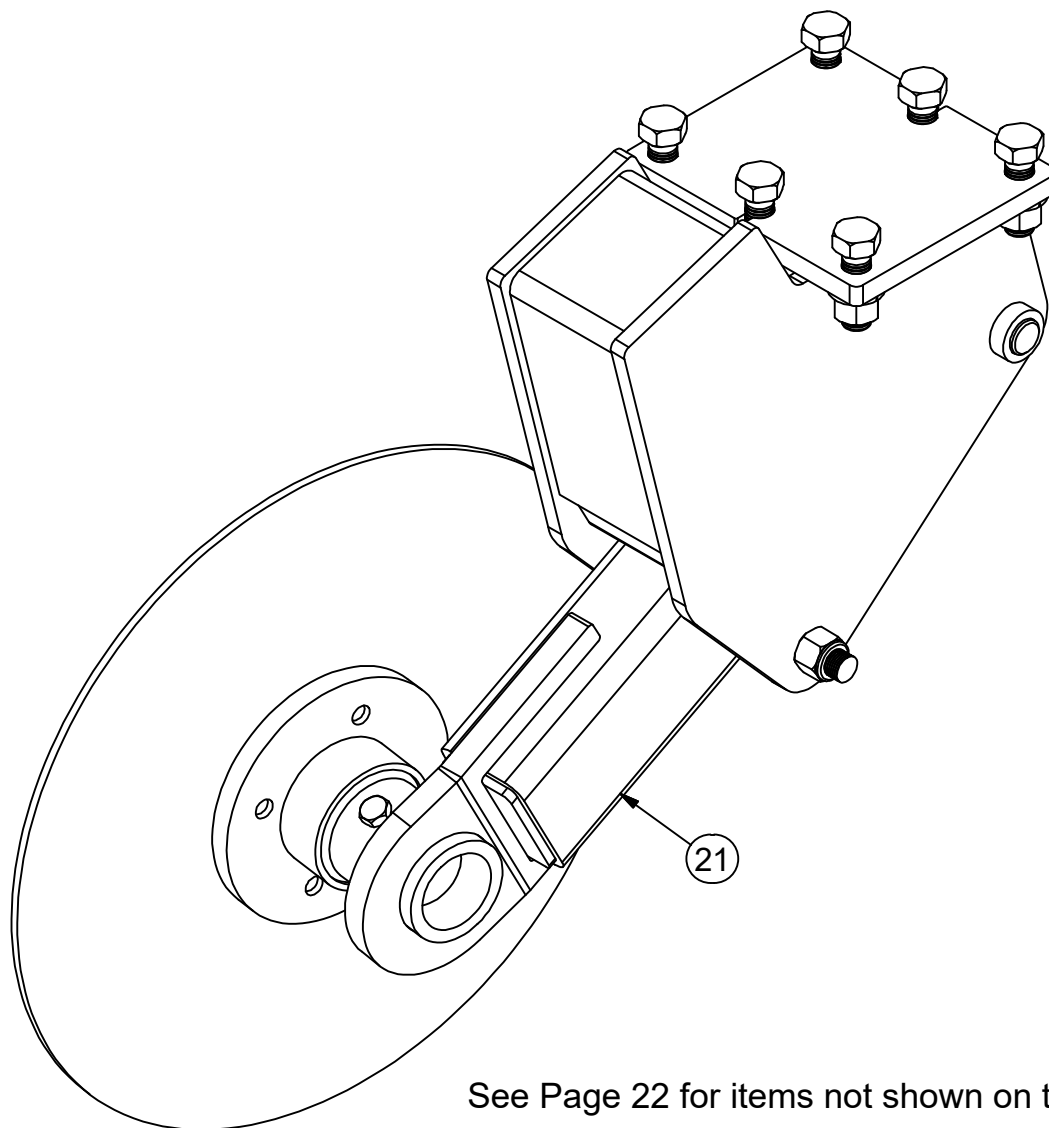
Spring/Shank Assembly: Right/Left/Front Center (Right Shown)



AC002509 - Right Assembly
 AC002509C - Right Center Assembly
 AC002510 - Left Assembly
 AC002510C - Left Center Assembly
 Note: Assemblies do not include coulter blades

AC002509(C),AC002510(C): Assembly, Shank, (Right Shown)			AC002509(C),AC002510(C): Assembly, Shank, (Right Shown)		
ITEM	PART NUMBER	DESCRIPTION	ITEM	PART NUMBER	DESCRIPTION
1		Coulter Blade - See Options	12	R0410109	Nut, Nylon Insert Lock, Grade 2, 3/4"-10
2	PM051001	Pad, UHMW	13	R0610009	Lock Washer, 3/4", Medium
3	PR101001	Pin, Shank Arm: 1"	14	R0940001	Spring, Shank, Outer:.625" x 4" x 10"
4	R0110423	Bolt, Grade 5, 3/8"-16 x 2-1/4"	15	R1010006	Bushing, Greaseless, 1.0" ID x 2"L
5	R0130640	Bolt, Grade 8, 1/2"-13 x 4"	16	R1022500	Bushing, Greaseless, 2.0" ID x 2.0"L
6	R0130925	Bolt, Grade 8, 3/4"-10 x 2-1/2"	17	R9902001	Base, Shank Spring, Seat, 4"
7	R0130965	Bolt, Grade 8, 3/4"-10 x 6.5"	18	R9903016	Assy, Coulter Hub / Spindle - Modified
8A	R0140613	Bolt, Wheel Lug 1/2"-20 x 1-1/4"	19A	WC001016	Shield, Hub: Round Dust Cap
8B	R0620006	Lock Washer, 1/2"	19B	WC006000	Shield, Hub: Front Center Coulters
9	R0310109	Nut, Hex, Grade A, 3/4"-10	20	WC002509	Spring Body
10	R0410104	Nut, Nylon Insert Lock, Grade 2, 3/8"-16	21a	WC002519	Coulter Arm: Right (Shown)
11	R0410106	Nut, Nylon Insert Lock, Grade 2, 1/2"-13	21b	WC002520	Coulter Arm: Left

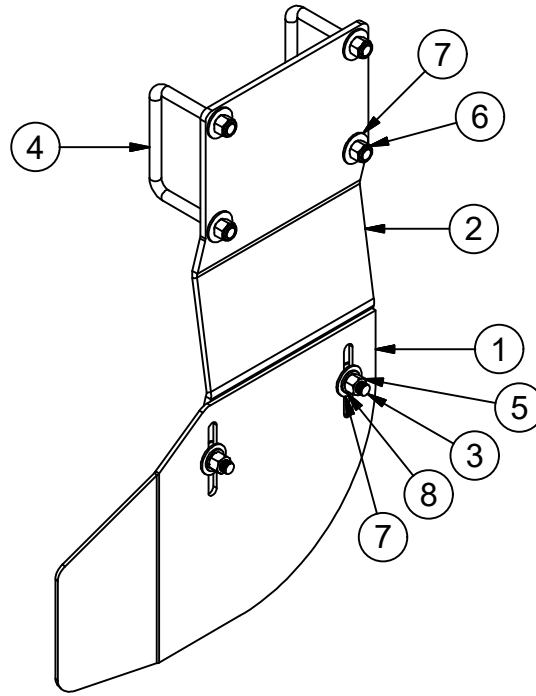
Spring/Shank Assembly: Right Rear Center



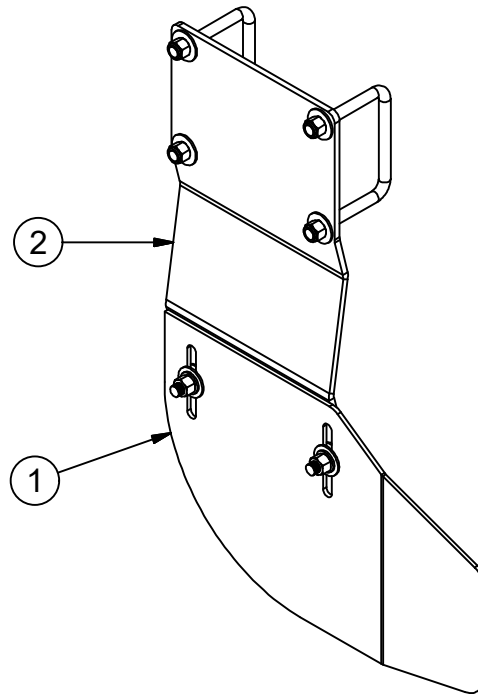
See Page 22 for items not shown on this page.

Assembly, Shank: Right Rear Center			Assembly, Shank: Right Rear Center		
ITEM	PART NUMBER	DESCRIPTION	ITEM	PART NUMBER	DESCRIPTION
1		Coulter Blade - See Options	12	R0410109	Nut, Nylon Insert Lock, Grade 2, 3/4"-10
2	PM051001	Pad, UHMW	13	R0610009	Lock Washer, 3/4", Medium
3	PR101001	Pin, Shank Arm: 1"	14	R0940001	Spring, Shank, Outer:.625" x 4" x 10"
4	R0110423	Bolt, Grade 5, 3/8"-16 x 2-1/4"	15	R1010006	Bushing, Greaseless, 1.0" ID x 2"L
5	R0130640	Bolt, Grade 8, 1/2"-13 x 4"	16	R1022500	Bushing, Greaseless, 2.0" ID x 2.0"L
6	R0130925	Bolt, Grade 8, 3/4"-10 x 2-1/2"	17	R9902001	Base, Shank Spring, Seat, 4"
7	R0130965	Bolt, Grade 8, 3/4"-10 x 6.5"	18	R9903016	Assy, Coulter Hub / Spindle - Modified
8	R0150501	Bolt, Wheel Lug 1/2"-20 x 1"	19	WC001016	Shield, Hub: Round Dust Cap
9	R0310109	Nut, Hex, Grade A, 3/4"-10	20	WC002509	Spring Body
10	R0410104	Nut, Nylon Insert Lock, Grade 2, 3/8"-16	21	Inquire	Coulter Arm: Center
11	R0410106	Nut, Nylon Insert Lock, Grade 2, 1/2"-13			

Deflector Shield: RH/LH

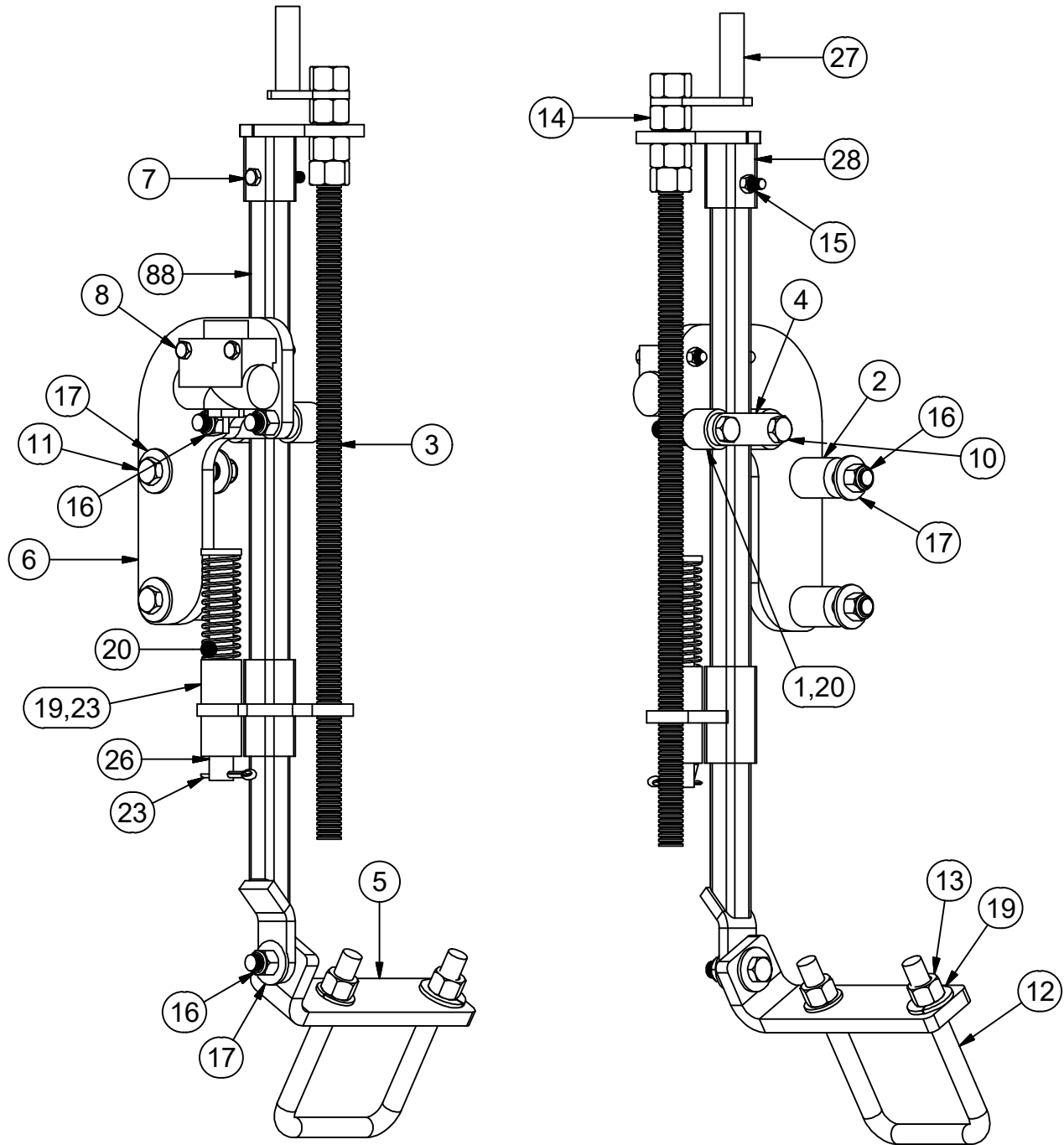


AC003612: Deflector Shield - Right			AC003612: Deflector Shield - Right		
ITEM	PART NUMBER	DESCRIPTION	ITEM	PART NUMBER	DESCRIPTION
1	Inquire	Deflector Shield - Right	5	R0306301	Nut, Hex, Grade A, 5/8" -11 ZF
2	PP042506	Deflector Shield Bracket - Right	6	R0410108	Nut, Nylon Insert Lock, Grade 2, 5/8"-11
3	R0130820	Bolt, Grade 8, 5/8"-11 x 2"	7	R0510108	Washer, USS, 5/8" x 1.750"
4	R0238653	U-Bolt, Gr. 8, 5/8"-11, 5.25"x6"x5.25"	8	R0610008	Lock Washer, 5/8", Medium



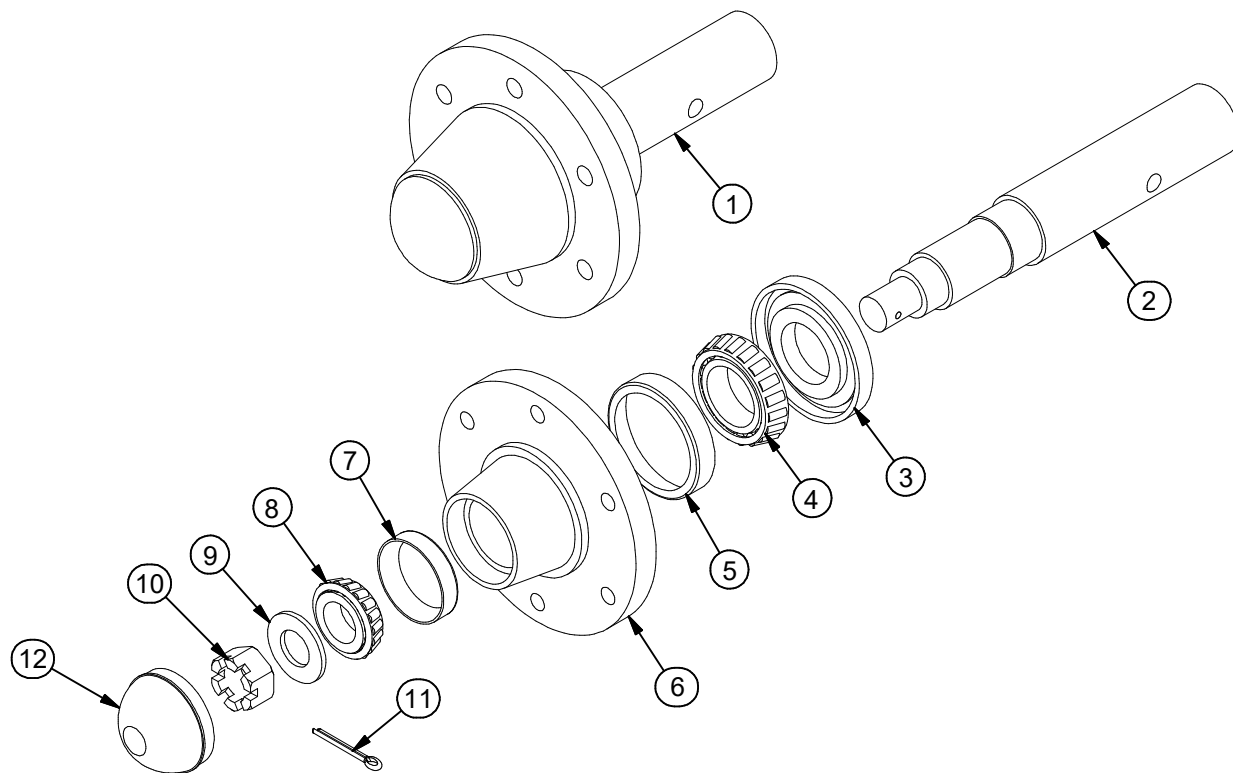
AC003613: Deflector Shield - Left			AC003613: Deflector Shield - Left		
ITEM	PART NUMBER	DESCRIPTION	ITEM	PART NUMBER	DESCRIPTION
1	Inquire	Deflector Shield - Left	5	R0306301	Nut, Hex, Grade A, 5/8" -11 ZF
2	PP042505	Deflector Shield Bracket - Left	6	R0410108	Nut, Nylon Insert Lock, Grade 2, 5/8"-11
3	R0130820	Bolt, Grade 8, 5/8"-11 x 2"	7	R0510108	Washer, USS, 5/8" x 1.750"
4	R0238653	U-Bolt, Gr. 8, 5/8"-11, 5.25"x6"x5.25"	8	R0610008	Lock Washer, 5/8", Medium

Depth Control Assembly



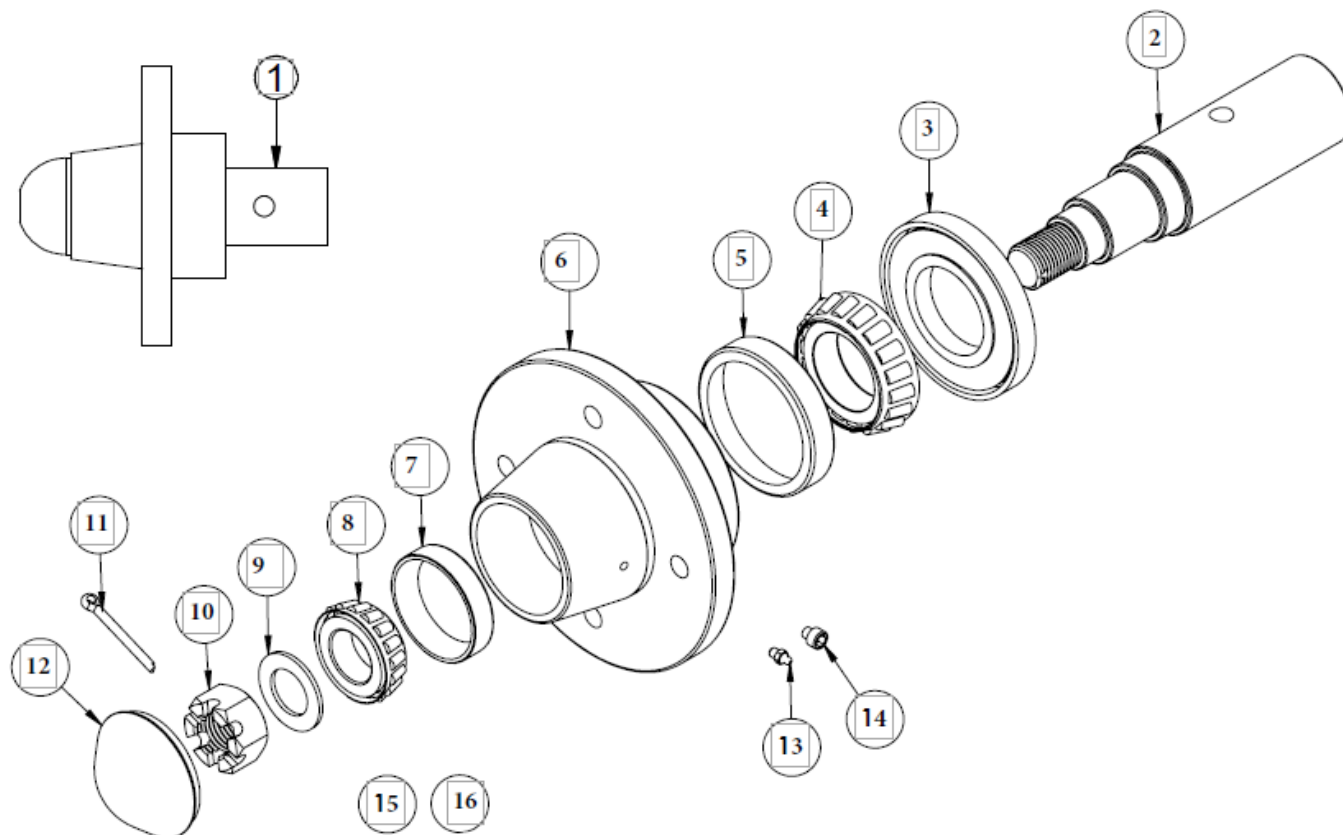
AC003610: Depth Control			AC003610: Depth Control		
ITEM	PART NUMBER	DESCRIPTION	ITEM	PART NUMBER	DESCRIPTION
1	PB131001	Bushing, Depth Control Guide	16	R0410106	Nut, Nylon Insert Lock, 1/2"-13
2	PB132501	Bushing, Depth Control Guide	17	R0510106	Washer, USS, 1/2"
3	Inquire	Threaded, Depth Control: 3/4"	18	R0610008	Lock Washer, 5/8"
4	PP031002	Plate, Depth Control Guide Bushing	19	R0610009	Lock Washer, 3/4"
5	PP052525	Axle Bracket, Depth Control	20	R0912001	Spring, 1-1/8" x 0.120" x 4" Long (2/pack)
6	Inquire	Depth Control Mount Plate	21	R1010001	Bushing, Greaseless, 1"OD .77" ID x 3/4"
7	R0130320	Bolt, Grade 8, 5/16"-18 x 2"	22	R1010002	Bush, Greaseless, 0.5"ID x .75"OD x 1"L
8	R0130325	Bolt, 5/16"-18 x 2-1/2"	23	R1619251	Pin, Cotter: 3/16" x 1.5"
9	R0130620	Bolt, 1/2"-13 x 2"	24	R1803001	Valve, Depth Control
10	R0130630	Bolt, 1/2"-13 x 3"	25	WC001040	Bracket, Depth Control Plunger Slide
11	R0130635	Bolt, 1/2"-13 x 3-1/2"	26	WC001041	Plunger, Depth Control
12	R0218458	U-Bolt, Grd 8: 5/8", 5.75" x 4" x 5.75"	27	WC001042	Handle, Depth Control
13	R0306301	Nut, Hex, 5/8" -11 ZF	28	WC001043	Bracket, Linkage End Handle
14	R0310109	Nut, Hex, 3/4"-10	88	Inquire	Arm, Depth Control Linkage
15	R0410103	Nut, Nylon Insert Lock, 5/16"-18			

Hub Assembly: 6-Bolt



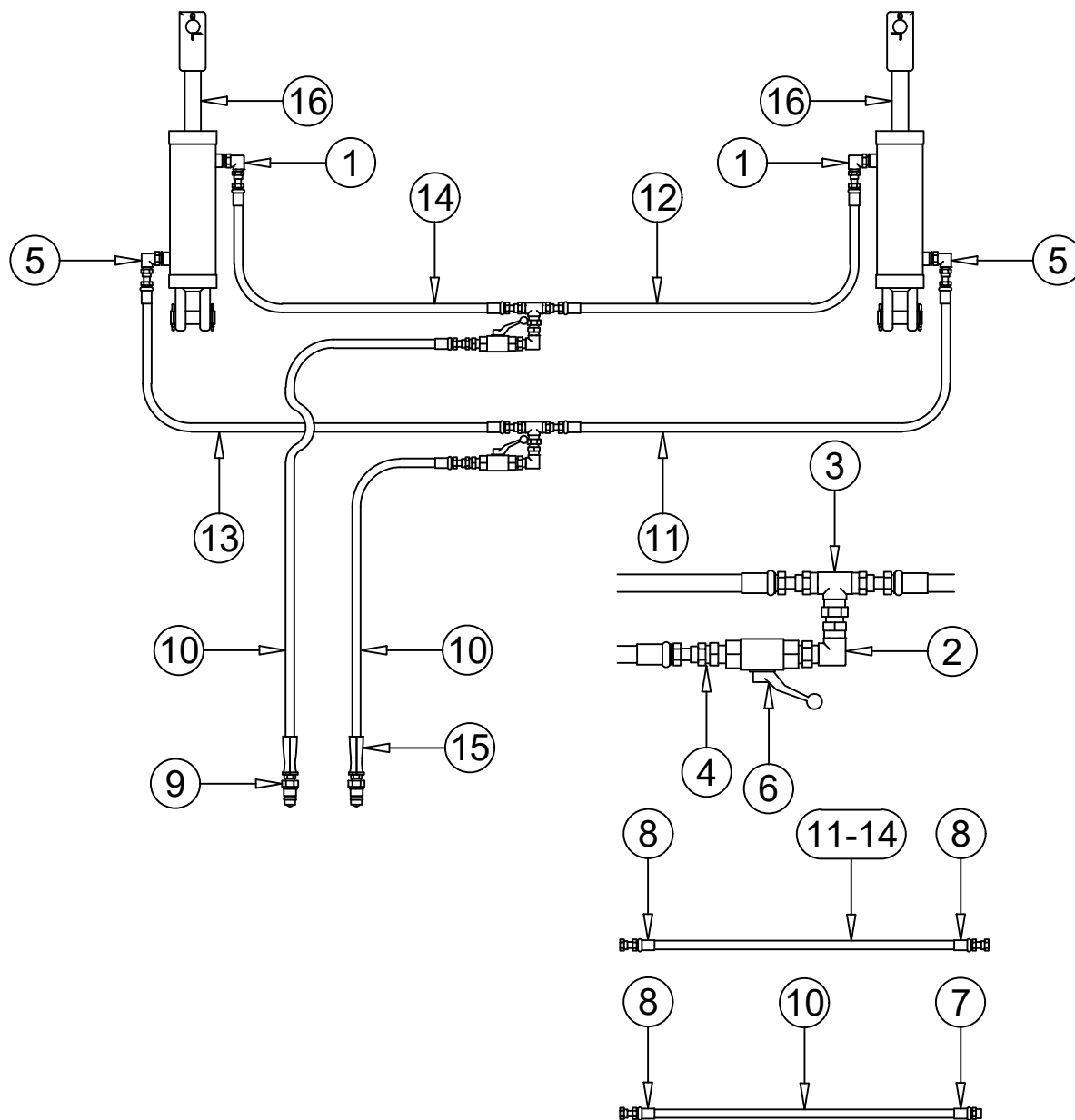
Item	Part #	Description	Reference #
1	R9903001-04	Complete Hub/Spindle Assembly: 6-Bolt, 3-1/4" Seal-Hole	
2	R9904001	Spindle, 6-Bolt: 3-1/4" Seal-Hole	
3 a)	R1320001	Seal, Grease, Single Lip: 6-Bolt	SE30
3 b)	R1320001-02	Seal, Grease, Labyrinth: 6-Bolt - Standard	SE88
4 a)	R1100013	Bearing, Tapered, 6-Bolt Inner(CANADA ONLY)	25580
4 b)	R1100013-01	Bearing, Tapered, 6-Bolt Inner (Premium) - Standard	25580
5 a)	R1200003	Race, 6-Bolt Inner	25520
5 b)	R1200003-01	Race, 6-Bolt Inner (Premium) - Standard	25520
6	R9905001-01	Hub, Cast: 6-Bolt (Includes Premium Races)	HA618
7 a)	R1200004	Race, 6-Bolt Outer	LM48510
7 b)	R1200004-01	Race, 6-Bolt Outer (Premium) - Standard	LM48510
8 a)	R1100012	Bearing, Tapered, 6-Bolt Outer(CANADA ONLY)	LM48548
8 b)	R1100012-01	Bearing, Tapered, 6-Bolt Outer (Premium) - Standard	LM48548
9	R0510001	Washer, Flat, Hardened: 1"	
10	R1410001	Nut, Castle, Fine: 1"	
11	R1618900	Cotter Pin: 3/16" x 2"	
12	R9906001	Dust Cap: 6-Bolt Hub	DC-15
KIT	KB100001	Economy (Bronze) Rebuild Kit: 6-Bolt (Includes 3a,4a,5a,7a,8a) (CANADA ONLY)	
KIT	KB100001-11	Premium (Silver) Rebuild Kit: 6-Bolt (Includes 3b,4b,5b,7b,8b)	
KIT	KB100001-12	Premium (Gold) Rebuild Kit: 6-Bolt (Includes 3b,4b,5b,7b,8b,9-12)	

Coulter Hub Assembly



Item	Part #	Description	Reference #
1	R9903016	Assy, Coulter Hub: Rnd Spindle (complete) Storm	
2	n/a	4-Bolt Round Spindle	
3	R1300004	Seal, Grease, Triple Lip, w/Ductile (Fits all variations)	
4	n/a	Bearing, Tapered, 4-Bolt Inner	30209
5	n/a	Race, 4-Bolt Inner	30209
6	n/a	Hub, Cast, 4-Bolt	
7	n/a	Race, 4-Bolt Outer	30206
8	n/a	Bearing, Tapered, 4-Bolt Outer	30206
9	R0590100	Washer, Flat, Hardened: 1"	
10	R0320411	Nut, Castle: 1"	
11	R1618900	Cotter Pin: 3/16" x 2"	
12	R9906003	Dust Cap, 4-Bolt	
13	R1502505	Zerk, Grease: 6mm x 1.0	
14	R1502506	Plug, Grease: 6mm x 1.0	
15a	KB200002	Rebuild Kit, 4-Bolt (Includes Items 3-5,7-8) Fits all variations(CANADA ONLY)	
15b	KB200002-10	Rebuild Kit, 4-Bolt (Includes Items 3-5,7-8) Fits all variations(USA ONLY)	
16a	KB200002-01	Full Rebuild Kit: 4- Bolt (Includes Items 3-5,7-12)(CANADA ONLY)	
16b	KB200002-11	Full Rebuild Kit: 4- Bolt (Includes Items 4-6,7-12)(USA ONLY)	

Hydraulics: Hitch

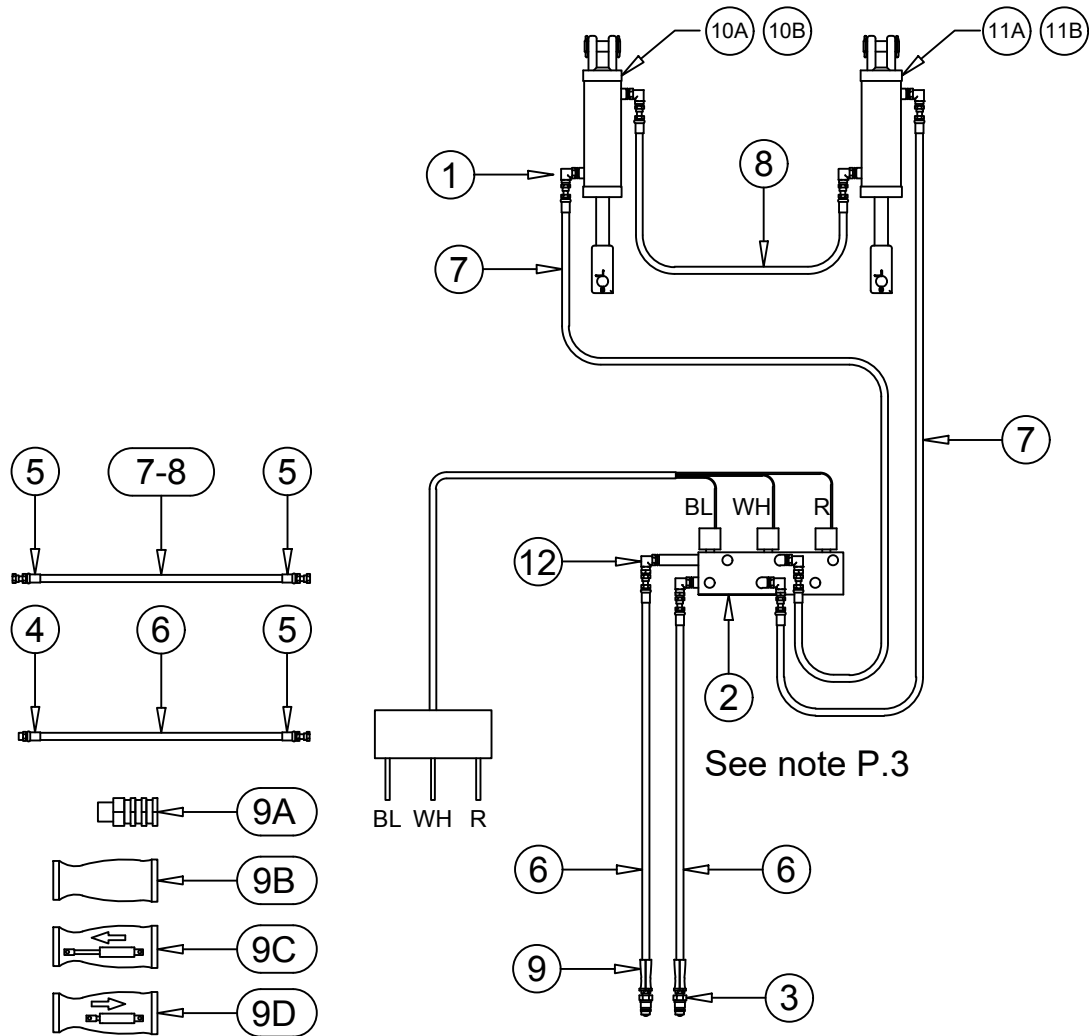


*Hydraulics may differ from picture. Inquire if further information required.

**Warranty void if cylinders disassembled.

Storm: Hydraulic Schematic, Hitch			Storm: Hydraulic Schematic, Hitch		
ITEM	PART NUMBER	DESCRIPTION	ITEM	PART NUMBER	DESCRIPTION
1	R1802007	MORFS 6 to MORB 8, 90 Degree	10	Inquire	Hose, Hydraulic, Complete: 3/8 - 228
2	R1802028	MORFS 6 to MORB 6, 90 Degree	11	Inquire	Hose, Hydraulic, Complete: 3/8 - 11
3	R1802032	Swivel FORFS 6 to MORFS 6 Tee	12	Inquire	Hose, Hydraulic, Complete: 3/8 - 23
4	R1802039	MORB 6 to MORFS 6 Straight	13	Inquire	Hose, Hydraulic, Complete: 3/8 - 48
5	R1802045	MORFS 6 to MORB 8, 90 Degree Restrictor	14	Inquire	Hose, Hydraulic, Complete: 3/8 - 60
6	R1803006	ORB 6 HP BALL VALVE 7250 PSI	15	R1899010	Grips, Hose, Hydraulic: 1/2" NPT - Blue
7	R1804002	Hose Crimp 6 (3/8") to MNPT 8 (1/2")	16	R1930801	Cylinder: 3" x 8"
8	R1804006	Hose Crimp 6 (3/8") to FORFS 6			
9	R1805001	Tip, Ball, Male: 1/2" NPT			

Hydraulics: Front Tool Bars



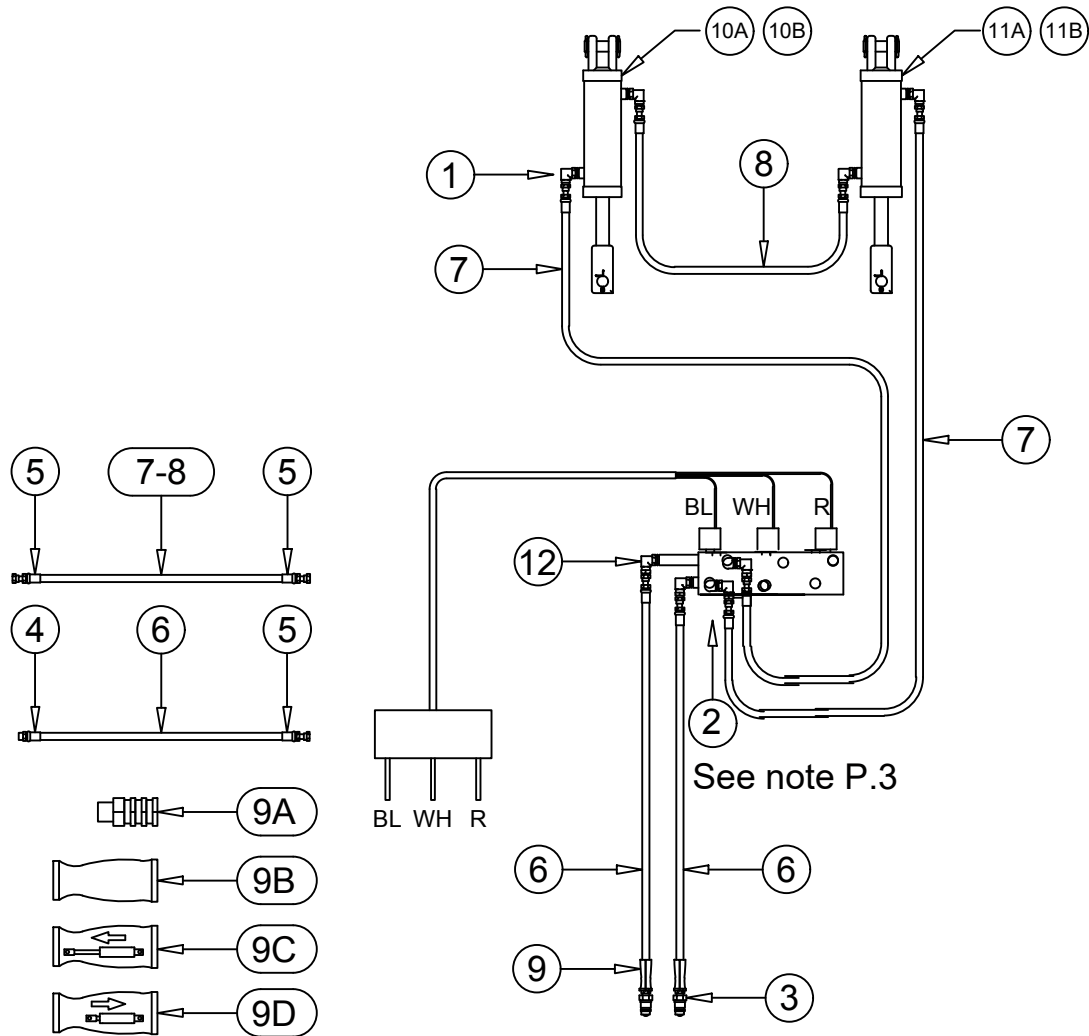
See note P.3

*Hydraulics may differ from picture. Inquire if further information required.

**Warranty void if cylinders disassembled.

S1320: Hydraulic Schematic, Tool Bars, Front			S1320: Hydraulic Schematic, Tool Bars, Front		
ITEM	PART NUMBER	DESCRIPTION	ITEM	PART NUMBER	DESCRIPTION
1	R1802007	MORFS 6 to MORB 8, 90 Degree	8	Inquire	Hose, Hydraulic, Complete: 3/8 - 48 (4'-0")
2	R1803012	Valve, Selector, 700-0823-4025	9	R1899013	Grips, Hose, Hydraulic: 1/2" NPT - Yellow
3	R1805001	Tip, Ball, Male: 1/2" NPT	10A	R1920600	Cylinder, Reph: 2.75" x 6" - 16.25" Ret.
4	R1804002	Hose Crimp 6 (3/8") to Male NPT 8 (1/2")	10B	R1920601	Cylinder, Reph: 3.25" x 6" - 16.25" Ret.
5	R1804006	Hose Crimp 6 (3/8") to Female ORFS 6	11A	R1930602	Cylinder, Reph: 3.00" x 6" - 16.25" Ret.
6	Inquire	Hose, Hyd, Complete: 3/8 - 228 (19'-0")	11A	R1930600	Cylinder, Reph: 3.5" x 6" - 16.25" Ret.
7	Inquire	Hose, Hydraulic, Complete: 3/8 - 86 (7'-2")	12	R1802028	MORFS 6 (3/8") to MORB 6 (3/8") 90 Deg

Hydraulics: Rear Tool Bars



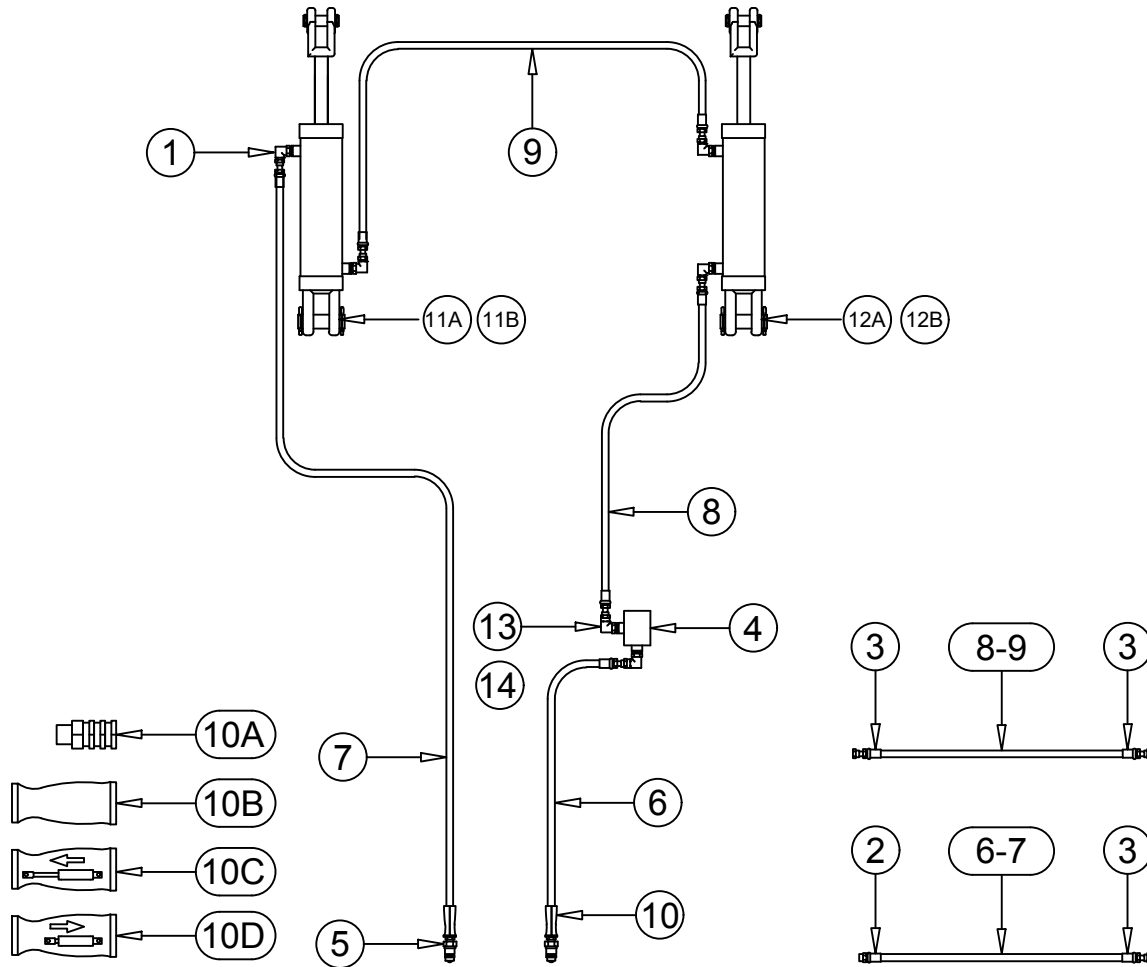
See note P.3

*Hydraulics may differ from picture. Inquire if further information required.

**Warranty void if cylinders disassembled.

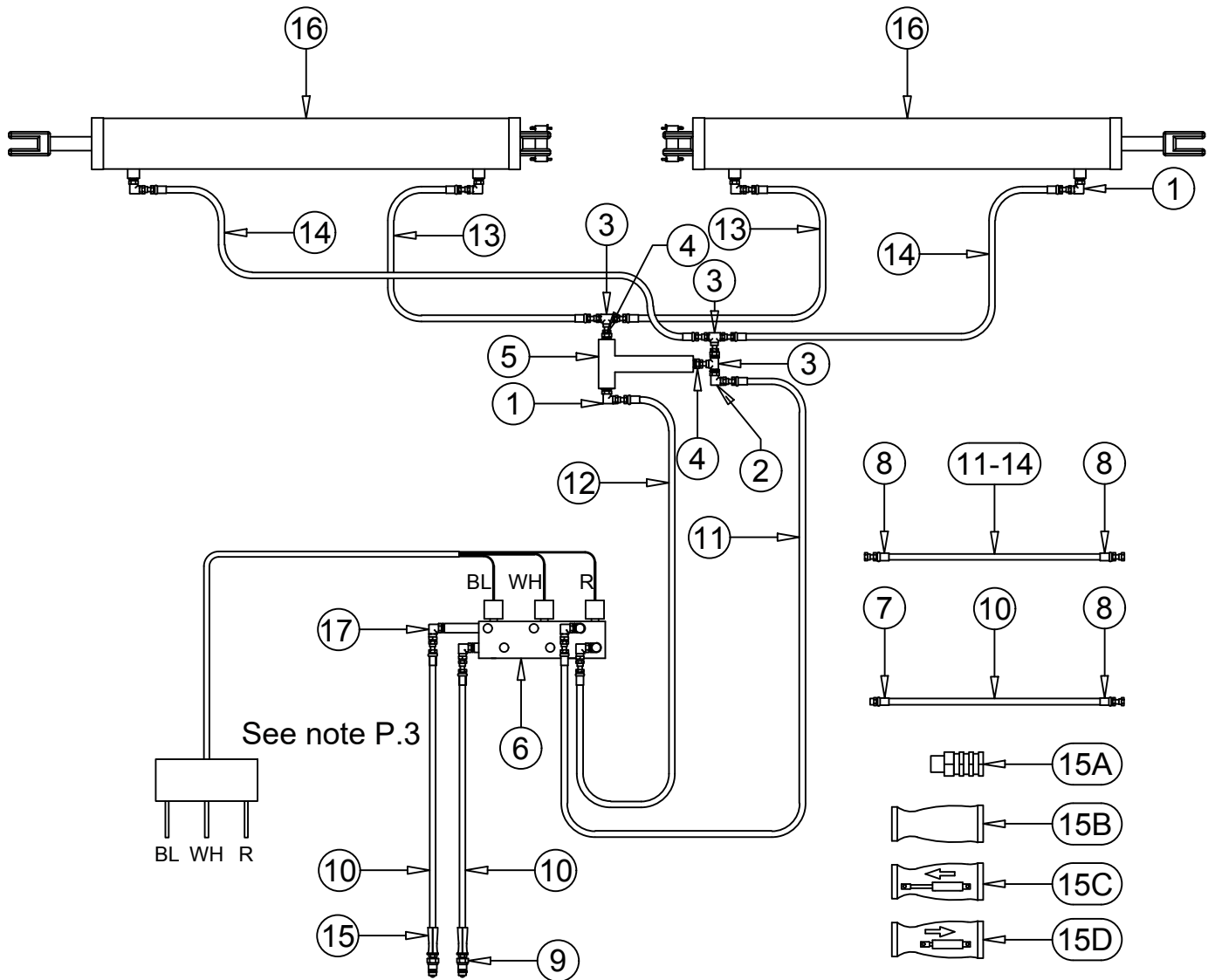
S1320: Hydraulic Schematic, Tool Bars, Rear			S1320: Hydraulic Schematic, Tool Bars, Rear		
ITEM	PART NUMBER	DESCRIPTION	ITEM	PART NUMBER	DESCRIPTION
1	R1802007	MORFS 6 to MORB 8, 90 Degree	8	Inquire	Hose, Hydraulic, Complete: 3/8 - 48 (4'-0")
2	R1803012	Valve, Selector, 700-0823-4025	9	R1899013	Grips, Hose, Hydraulic: 1/2" NPT - Yellow
3	R1805001	Tip, Ball, Male: 1/2" NPT	10A	R1920600	Cylinder, Re-ph: 2.75" x 6" - 16.25" Ret.
4	R1804002	Hose Crimp 6 (3/8") to Male NPT 8 (1/2")	10B	R1920601	Cylinder, Re-ph: 3.25" x 6" - 16.25" Ret.
5	R1804006	Hose Crimp 6 (3/8") to Female ORFS 6	11A	R1930602	Cylinder, Re-ph: 3.00" x 6" - 16.25" Ret.
6	Inquire	Hose, Hyd, Complete: 3/8 - 228 (19'-0")	11A	R1930600	Cylinder, Re-ph: 3.5" x 6" - 16.25" Ret.
7	Inquire	Hose, Hydraulic, Complete: 3/8 - 86 (7'-2")	12	R1802028	MORFS 6 (3/8") to MORB 6 (3/8") 90 Deg

Hydraulics: Wheel Lift



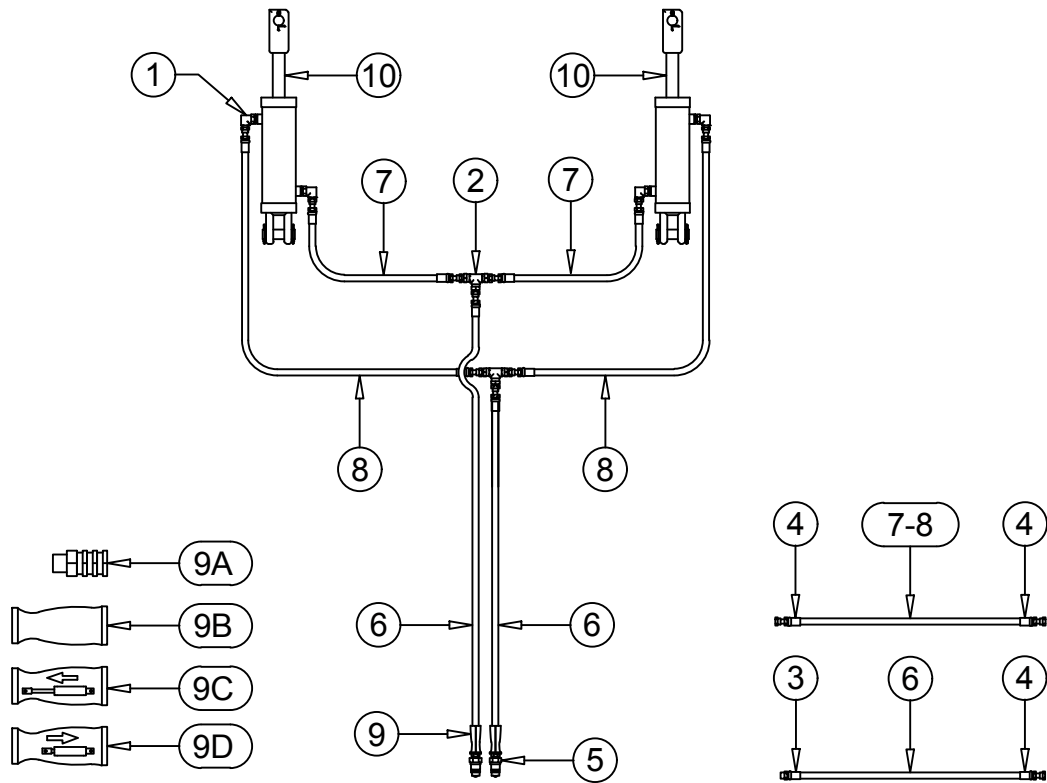
S1320: Hydraulic Schematic, Wheels			S1320: Hydraulic Schematic, Wheels		
ITEM	PART NUMBER	DESCRIPTION	ITEM	PART NUMBER	DESCRIPTION
1	R1802007	Elbow 90: MORFS 6 to MORB 8	9	Inquire	Hose, Hydraulic: 3/8 - 81 (6'-9")
2	R1804002	Hose Crimp 6 (3/8") to MNPT 8 (1/2")	10	R1899011	Grips, Hose, Hydraulic: 1/2" NPT - Green
3	R1804006	Hose Crimp 6 (3/8") to FORFS 6	11A	R1931205-01	Cylinder, Reeph: 3.75" x 12", 22-1/4" Ret.
4	R1803001	Valve, Depth Control	11B	R1931207-01	Cylinder, Reeph: 3.75" x 12", 22-1/4" Ret.
5	R1805001	Tip, Ball, Male: 1/2" NPT	12A	R1941206-01	Cylinder, Reeph: 4" x 12", 22-1/4" Ret.
6	Inquire	Hose, Hydraulic: 3/8 - 366 (30'-6")	12B	R1941208-01	Cylinder, Reeph: 4" x 12", 22-1/4" Ret.
7	Inquire	Hose, Hydraulic: 3/8 - 358 (29'-10")	13	R1802015	Elbow 90: FPTX 6 to MORB 10
8	Inquire	Hose, Hydraulic: 3/8 - 24 (2'-0")	14	R1802061	Adapter: MPT 6 to MORFS 6

Hydraulics: Wing Lift



S1320: Hydraulic Schematic, Wings			S1320: Hydraulic Schematic, Wings		
ITEM	PART NUMBER	DESCRIPTION	ITEM	PART NUMBER	DESCRIPTION
1	R1802007	MORFS 6 to MORB 8, 90 Degrees	9	R1805001	Tip, Ball, Male: 1/2" NPT
2	R1802030	MORFS 6 to FORFS 6, 90 Degrees	10	Inquire	Hose, Hydraulic: 3/8 - 228 (19'-0")
3	R1802032	FORFS 6 to MORFS 6 to MORFS 6 Tee	11	Inquire	Hose, Hydraulic: 3/8 - 73 (6'1")
4	R1802042	MORFS 6 to MORB 8, 90 Straight	12	Inquire	Hose, Hydraulic: 3/8 - 68 (5'8")
5	R1803008	Valve, Hyd, Pressure Relief, #8SAE, RV-52	13	Inquire	Hose, Hydraulic: 3/8 - 22 (1'-10")
6	R1803012	Valve, Selector, 700-0823-4025	14	Inquire	Hose, Hydraulic: 3/8 - 46 (3'-10")
7	R1804002	Hose Crimp 6 (3/8") to MNPT 8 (1/2")	15	R1899013	Grips, Hose, Hydraulic: 1/2" NPT - Yellow
8	R1804006	Hose Crimp 6 (3/8") to FORFS 6	16	R1942402	Cylinder: 4" x 24" - 34-1/4" Ret.
			17	R1802028	MORFS 6 (3/8") to MORB 6 (3/8") 90 Deg

Hydraulics: Rolling Baskets



S1320: Hydraulic Schematic, Rolling Baskets			S1320: Hydraulic Schematic, Rolling Baskets		
ITEM	PART NUMBER	DESCRIPTION	ITEM	PART NUMBER	DESCRIPTION
1	R1802045	MORFS 6 to MORB 8, 90 Degree Restrictor	6	Inquire	Hose, Hydraulic: 3/8 - 384 (32'-0")
2	R1802031	MORFS 6 to MORFS 6 to MORFS 6 Tee	7	Inquire	Hose, Hydraulic: 3/8 - 62 (5'-2")
3	R1804002	Hose Crimp 6 (3/8") to MNPT 8 (1/2")	8	Inquire	Hose, Hydraulic: 3/8 - 66 (5'-6")
4	R1804006	Hose Crimp 6 (3/8") to FORFS 6to MORFS	9	R1899012	Grips, Hose, Hydraulic: 1/2" NPT - Red
5	R1805001	Tip, Ball, Male: 1/2" NPT	10	R1930300	Cylinder, Tie-Rod: 3" x 3"

