



MANDAKO



**5-PLEX
LAND ROLLER
50 SERIES**

PARTS MANUAL

Box 379 | 12159B Hwy 306
Plum Coulee, MB R0G 1R0
Toll-Free: 1-888-525-5892
Telephone: (204) 829-3092
Fax: (204) 829-7712
Email: parts@mandako.com / info@mandako.com
<http://www.mandako.com/partsmanuals>

Overview

Machine Overview 2

Machine Specifications..... 3

Main Assemblies

Hitch Frame Assembly..... 4

Hitch Frame Assembly..... 5

Main Frame Assembly 6

Main Frame Assembly 7

Middle Right Wing Frame Assembly..... 8

Middle Right Wing Frame Assembly..... 9

Middle Left Wing Frame Assembly 10

Middle Left Wing Frame Assembly 11

Rear Right Wing Frame Assembly 12

Rear Right Wing Frame Assembly 13

Rear Left Wing Frame Assembly..... 14

Rear Left Wing Frame Assembly..... 15

Axle & Other Assemblies

Wing Lock Assembly 16

Main Frame Axle Assembly 17

Swivel Axle Assembly 18

Swivel Axle Assembly 19

Rear Axle Assembly: Dual Steering..... 20

Rear Axle Assembly: Dual Steering..... 21

Hub/Spindle Assembly..... 22

Wheel Options 23

Hydraulics

Hitch Hydraulics..... 24

Wing Lock Hydraulics 25

Wheel Lift Hydraulics..... 26

Wheel Lift Hydraulics..... 27

Rear Steering Hydraulics..... 28

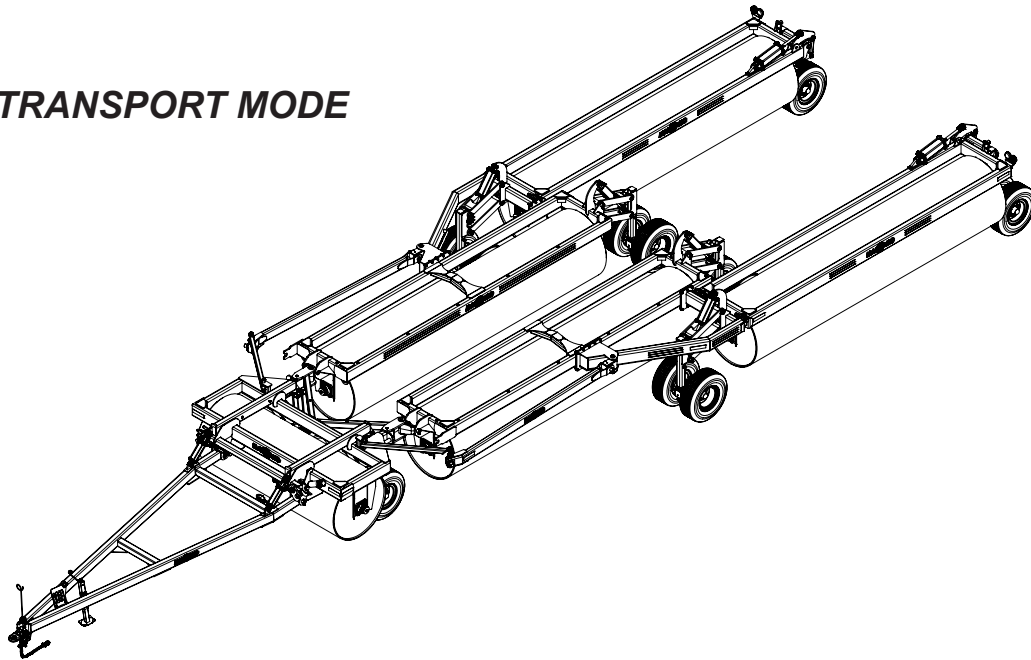
Rear Steering Hydraulics..... 29

Acre Counter & Electrical

Electrical 30

Acre Counter 31

TRANSPORT MODE



FIELD MODE

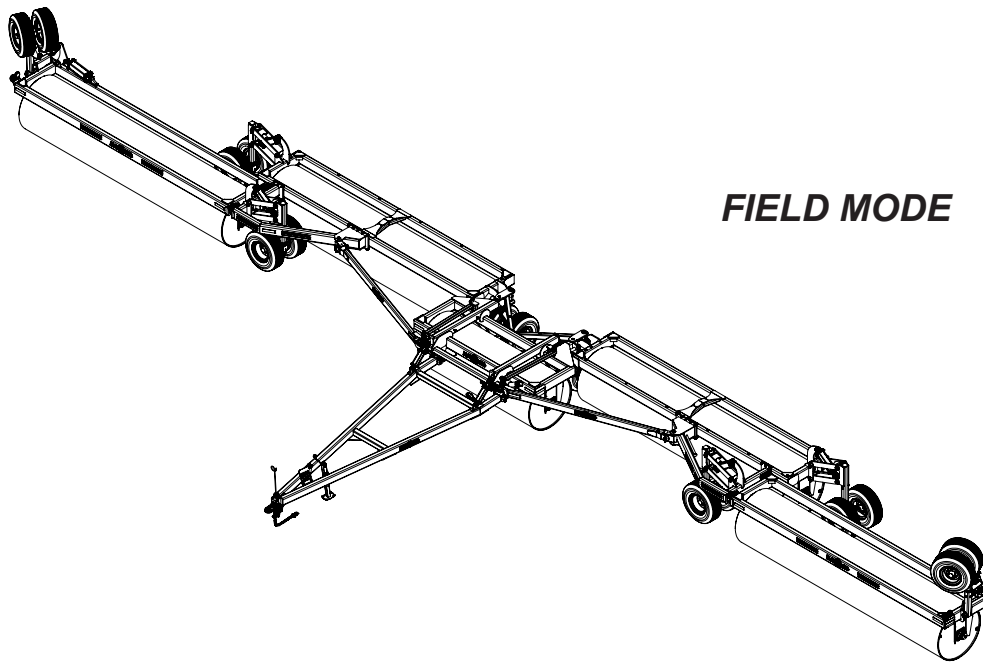
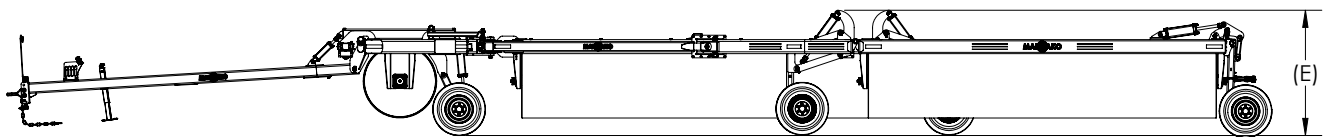
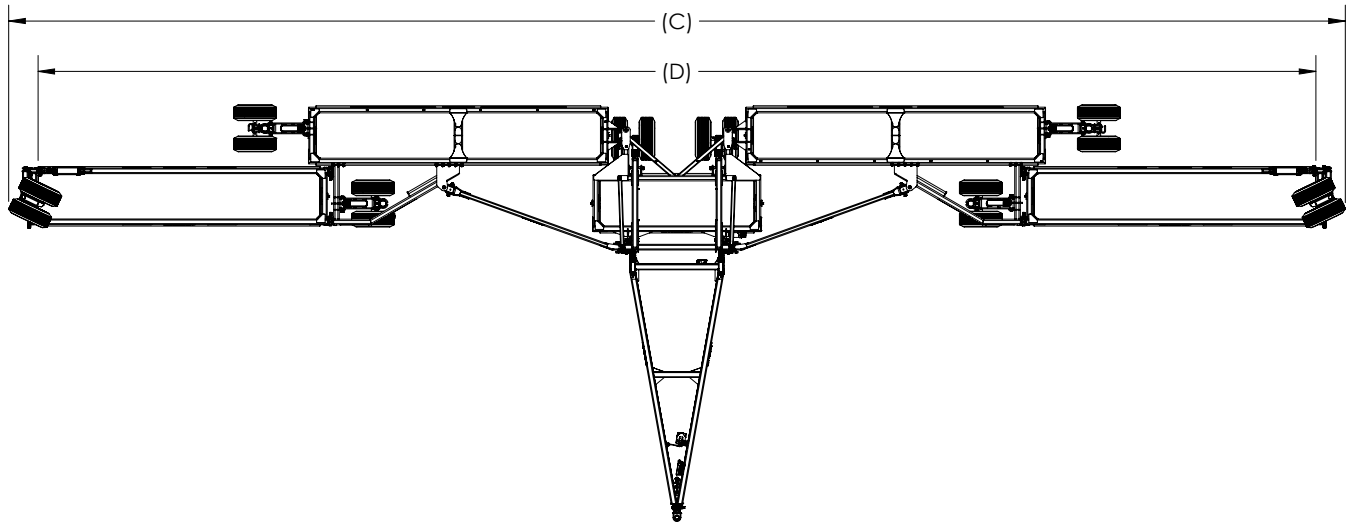
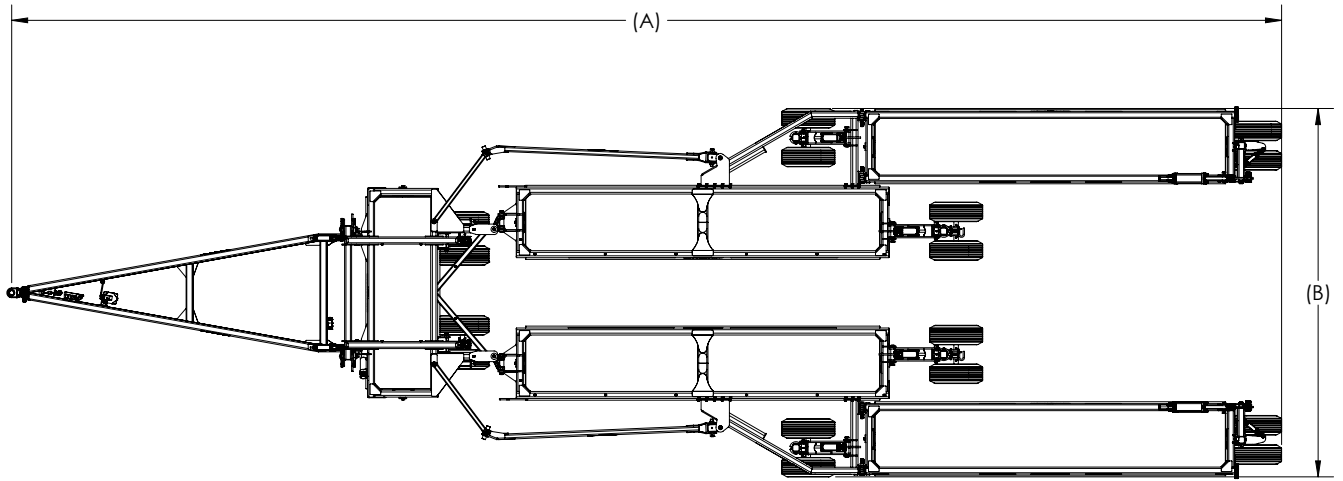


Table: A

Dimension	Unit Size					
	62'	65'	70'	75'	80'	85'
(A)	54'-2"	55'-6"	58'	60'-6"	63'	65'-6"
(B)	15'-6"	15'-6"	15'-6"	15'-6"	15'-6"	15'-6"
(C)	65'-6"	68'-6"	73'-6"	78'-6"	83'-6"	88'-6"
(D)	62'	65'	70'	75'	80'	85'
(E)	70"	70"	70"	70"	70"	70"



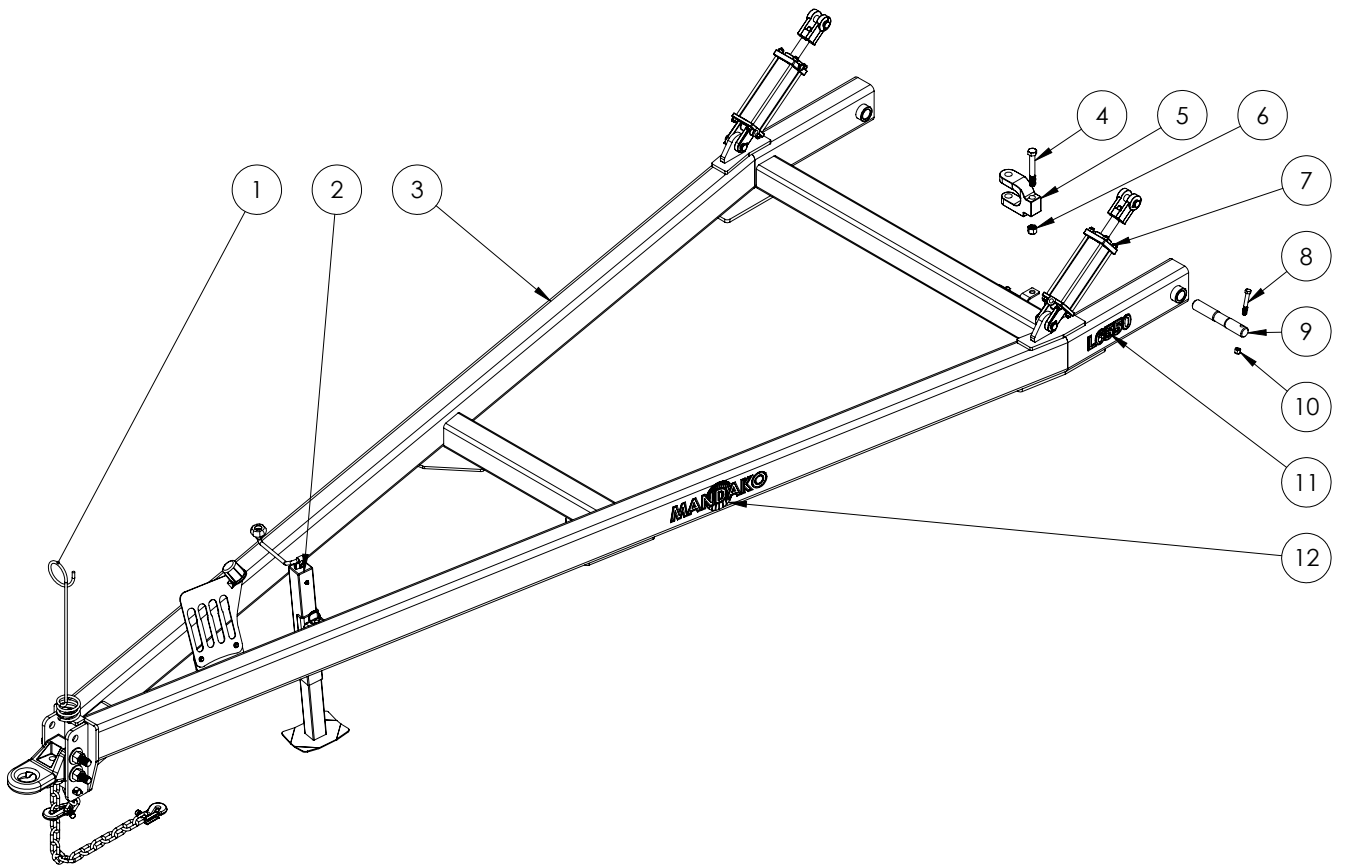
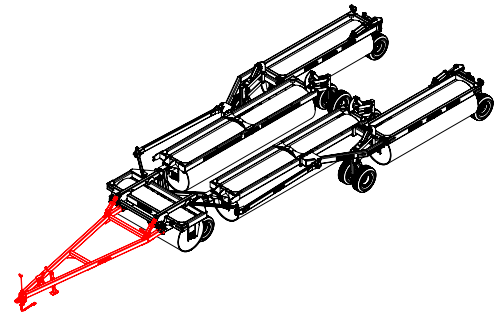
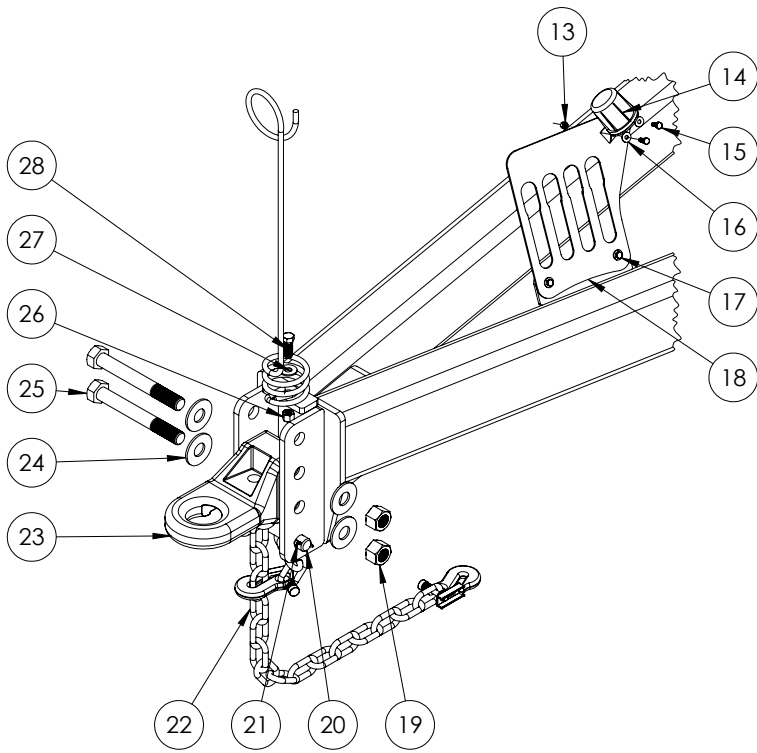


TABLE: B			
Item	Part #	Description	Qty
1	R1899001	Hose Retainer: 3/8" x 4" x 30"	1
2	R9909004	Hitch Jack: Square Receiver	1
3	WM005010	Hitch Frame	1
4	R0130955	Bolt: 3/4" x 5-1/2"	1
5	AA001090	Clevis Hitch Insert <i>(Includes Items 4,6)</i>	1
6	R0430109	Nut, Lock: 3/4"	1
7	n/a	Hitch Hydraulics <i>(See Page: 24)</i>	
8	R0130635	Bolt: 1/2" x 3-1/2"	2
9	PR151002	Pin, w/ Grease Groove: 1-1/2" x 10"	2
10	R0430106	Nut, Lock: 1/2"	2
11	n/a	Decal: Model Number <i>(See Table: C)</i>	2
12	R9913200	Decal, Mandako: 23.75" x 6.5"	2
13	R0430102	Nut, Lock : 1/4"	4
14	R1701018	Electrical Plug Protector: 7-Pin Round	1
15	R0130208	Bolt: 1/4" x 3/4"	2
16	R0510102	Washer, Flat: 1/4"	2
17	R0130210	Bolt: 1/4" x 1"	2
18	PP010001	Storage Plate, Hydraulic Tips	1
19	R0430111	Nut, Lock: 1"	2
20	R0810601	Clevis Pin: 1" x 6"	1
21	R1618900	Cotter Pin: 3/16" x 2"	1
22	R9910001	Safety Chain: 3/8" x 60"	1
23	R9901003	Pintle Hitch: Cat. 3, 3" Spacing	1
24	R0530211	Washer, Flat: 1"	4
25	R0131180	Bolt: 1" x 8"	2
26	R0410106	Nut, Lock: 1/2"	1
27	R0510106	Washer, Flat: 1/2"	1
28	R0130620	Bolt: 1/2" x 2"	1

TABLE: C			
Unit Size	Part #	Description	Qty
62	R9913055	Decal, L6250	2
65	R9913049	Decal, L6550	2
70	R9913050	Decal, L7050	2
75	R9913051	Decal, L7550	2
80	R9913052	Decal, L8050	2
85	R9913053	Decal, L8550	2

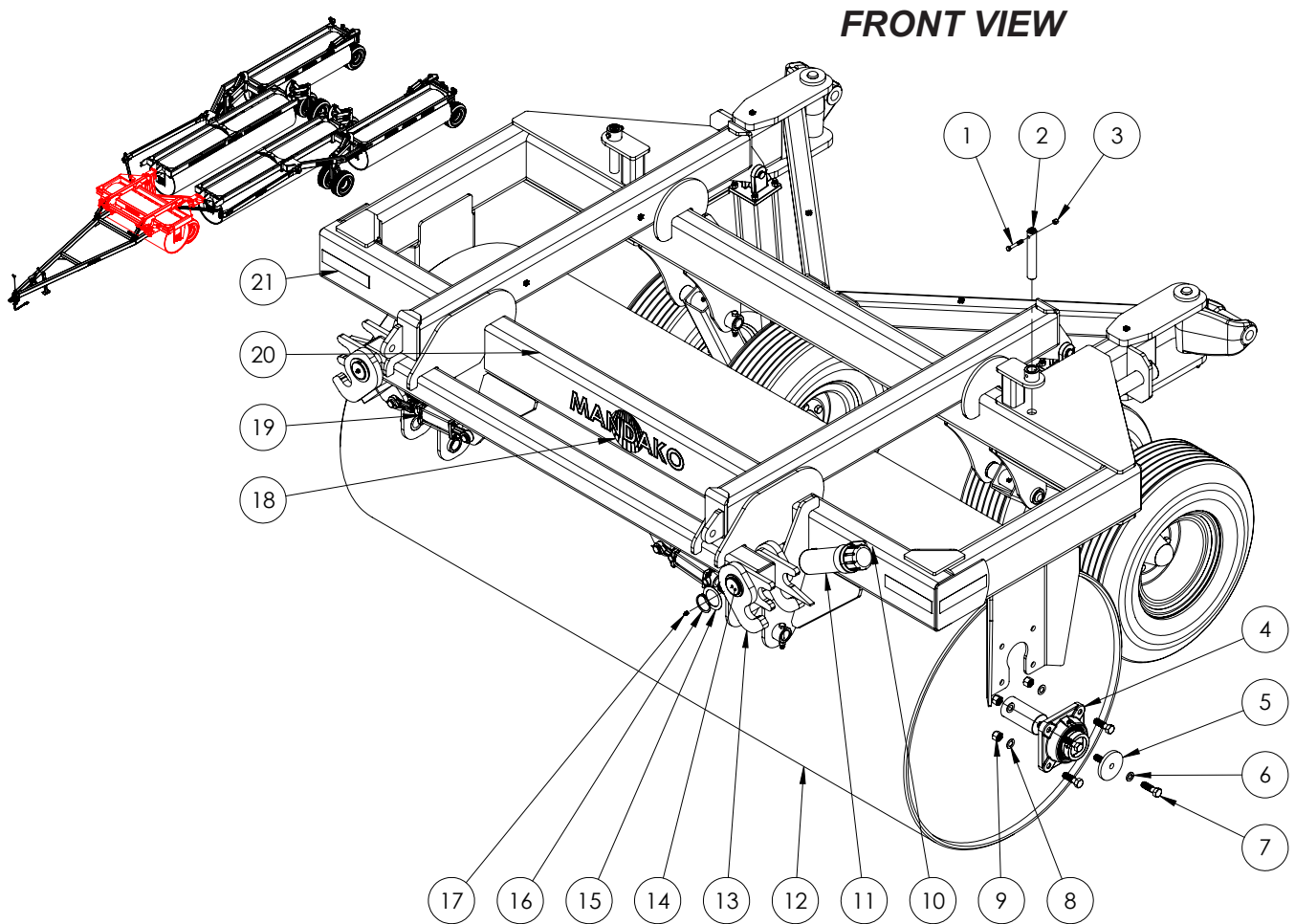


Table: D

Item	Part #	Description	Qty
1	R0110425	Bolt: 3/8" x 2-1/2"	2
2	PR130001	Pin, Guide Arm: 1" x 7-3/4"	2
3	R0410104	Nut, Lock: 3/8"	2
4 a)	R1100010	Bearing/Flange Assembly: 3" Bore, 4-Bolt x 6" Center - Center	2
4 b)	R1100016	Bearing Only: 3" Bore	
5	PP055038	Drum Washer: 1/2" x 4-1/4"	2
6	R0610009	Washer, Lock: 3/4"	2
7	R0120925	Bolt, Fine: 3/4" x 2-1/2"	10
8	R0591009	Washer, Flat, Belleville: 3/4"	8
9	R0340109	Nut, Lock, Fine: 3/4"	8
10	R2000000	Screw, Self-Tapping: #12 x 1-1/2"	2
11	R9912001	Canister, Manual: 3-1/4" x 12"	1
12	WD052109	Land Roller Drum: 42" x 5/8" x 109"	1
13	WC005075	Wing Lock Hook: 5-Plex LR	2
14	PR255006	Pin, Wing Lock Hook: 2-1/2" x 9"	2

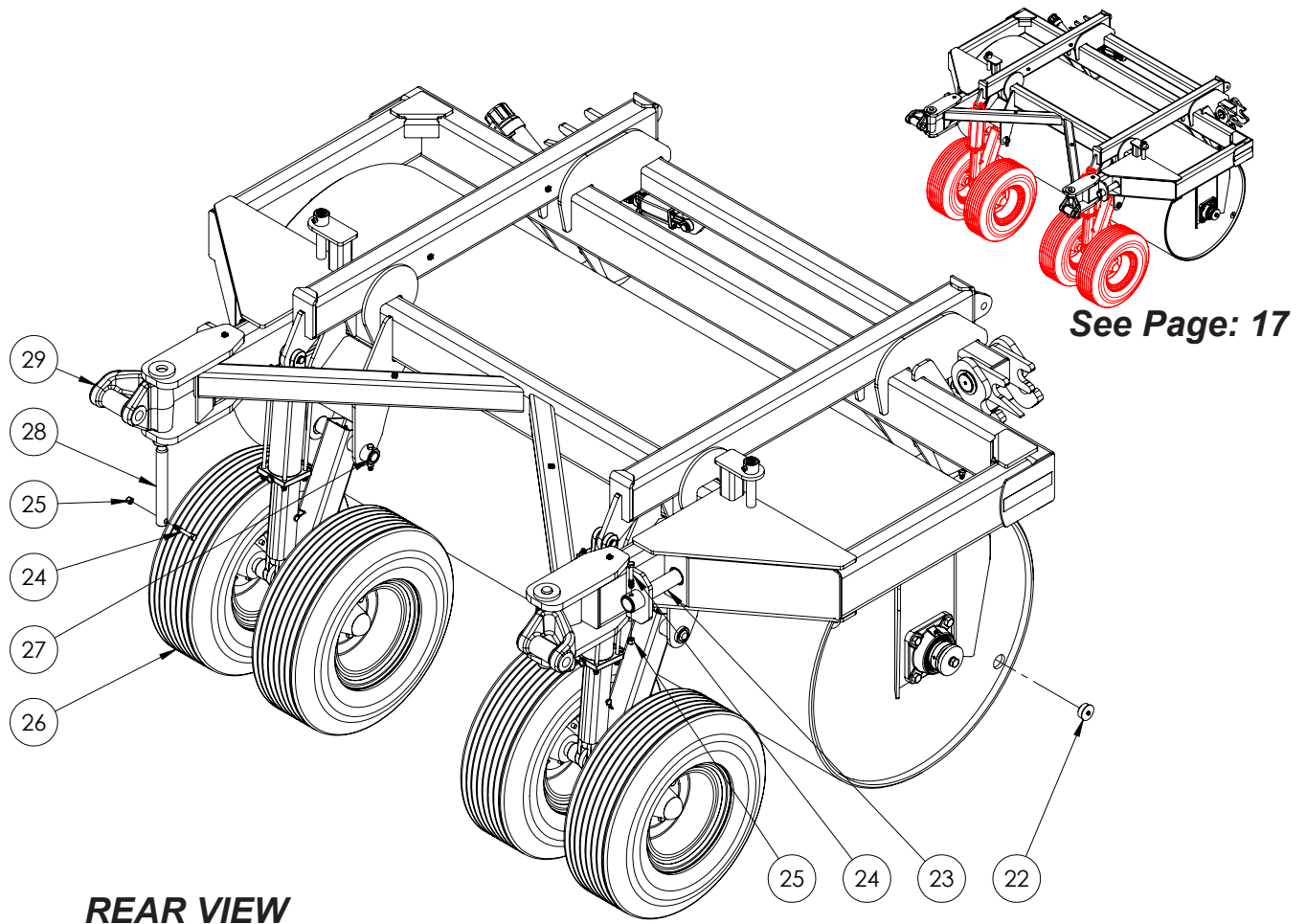


Table: E

Item	Part #	Description	Qty
15	PG102003	Machinery Bushing: 14ga x 2-1/2"ID x 3-1/2"OD	4
16	R1625001	Snap Ring: 2-1/2"	4
17	R1502504	Grease Zerk	2
18	R9913200	Decal, Mandako Logo: 6-1/2" x 23-3/4"	1
19	n/a	Wing Lock Hydraulics (See Page: 25)	
20	WM005500	Main Frame: 5-Plex LR, 50 Series	1
21	R9913003	Decal, Retroreflective, Yellow: 2" x 9"	4
22	R9930002	Plug, Roller Drum: 2"	2
23	PR205001	Pin, Wing Hook: 2" x 9-1/4"	2
24	R0130635	Bolt: 1/2" x 3-1/2"	8
25	R0430106	Nut, Lock: 1/2"	8
26	AC005010	Main Frame Axle Assembly (See Page: 17)	2
27	PR151001	Pin: 1-1/2" x 12"	2
28	PR151005	Pin, w/ Grease Groove: 1-1/2" x 11-1/2"	2
29	R9901004	Knuckle, Cast: Land Roller Wing	2

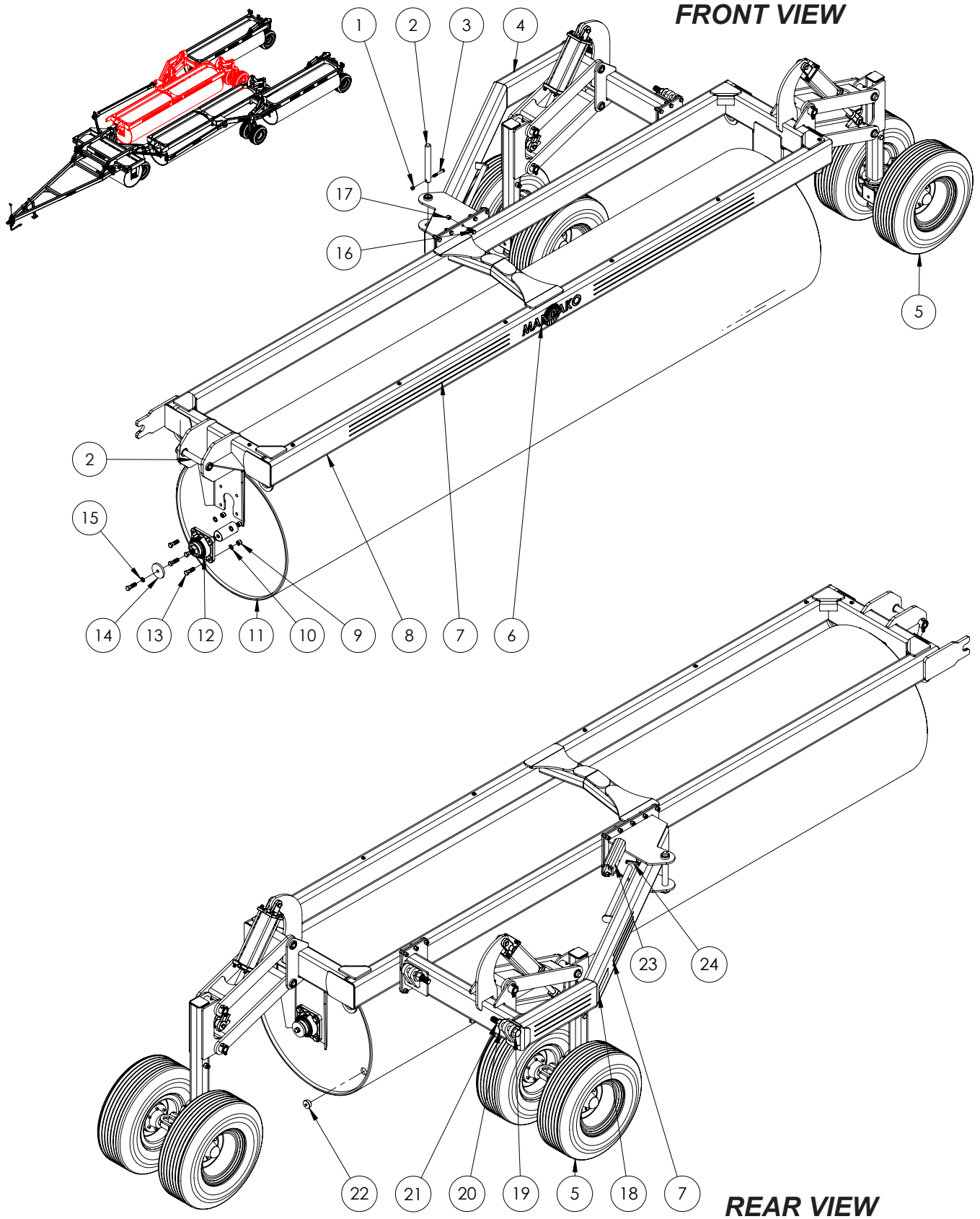


Table: F			
Item	Part #	Description	Qty
1	R0130635	Bolt: 1/2" x 3-1/2"	6
2	PR151001	Pin: 1-1/2" x 12"	2
3	R0430106	Nut, Lock: 1/2"	6
4 a)	WC005111	Right Wing Side Step: 62' - 80'	1
4 b)	WC005113	Right Wing Side Step: 85'	
5	AC005018	Swivel Axle Assembly: 5-Plex LR, 50 Series (See Page: 18, 19)	2
6	R9913200	Decal, Mandako Logo: 6-1/2" x 23-3/4"	1
7	R9913202	Decal, Pin Stripe: 3" x 60"	4
8 a)	WM005549	Right Middle Wing Frame: 62' - 80'	1
8 b)	WM005551	Right Middle Wing Frame: 85'	
9	R0340109	Nut, Fine, Lock: 3/4"	8
10	R0591009	Washer, Flat, Belleville: 3/4"	8
11 a)	WD052201	Drum: 42" x 5/8" x 201": 62' - 80'	1
11 b)	WD052231	Drum: 42" x 5/8" x 231": 85'	
12 a)	R1100010	Bearing, Flange: 3" Bore, 4-Bolt x 6" Center - Center	2
12 b)	R1100016	Bearing only: 3" Bore	
13	R0120925	Bolt, Fine: 3/4" x 2-1/2"	10
14	PP055038	Drum Washer: 1/2" x 4-1/4"	2
15	R0610009	Washer, Lock: 3/4"	2
16	R0130820	Bolt: 5/8" x 2"	16
17	R0430108	Nut, Lock: 5/8"	16
18	R9913003	Decal, Retroreflective, Yellow: 2" x 9"	1
19	R0131385-01	Bolt: 1-1/4" x 8-1/2"	2
20	R0510213	Washer, Flat: 1-1/4"	4
21	R0410113	Nut, Lock: 1-1/4"	2
22	R9930002	Plug, Roller Drum: 2"	2
23	PP032021	Cylinder Stop: 1-1/2" x 12"	2
24	R0804281	Wire Latch Pin: 3/8" x 2-1/2"	2

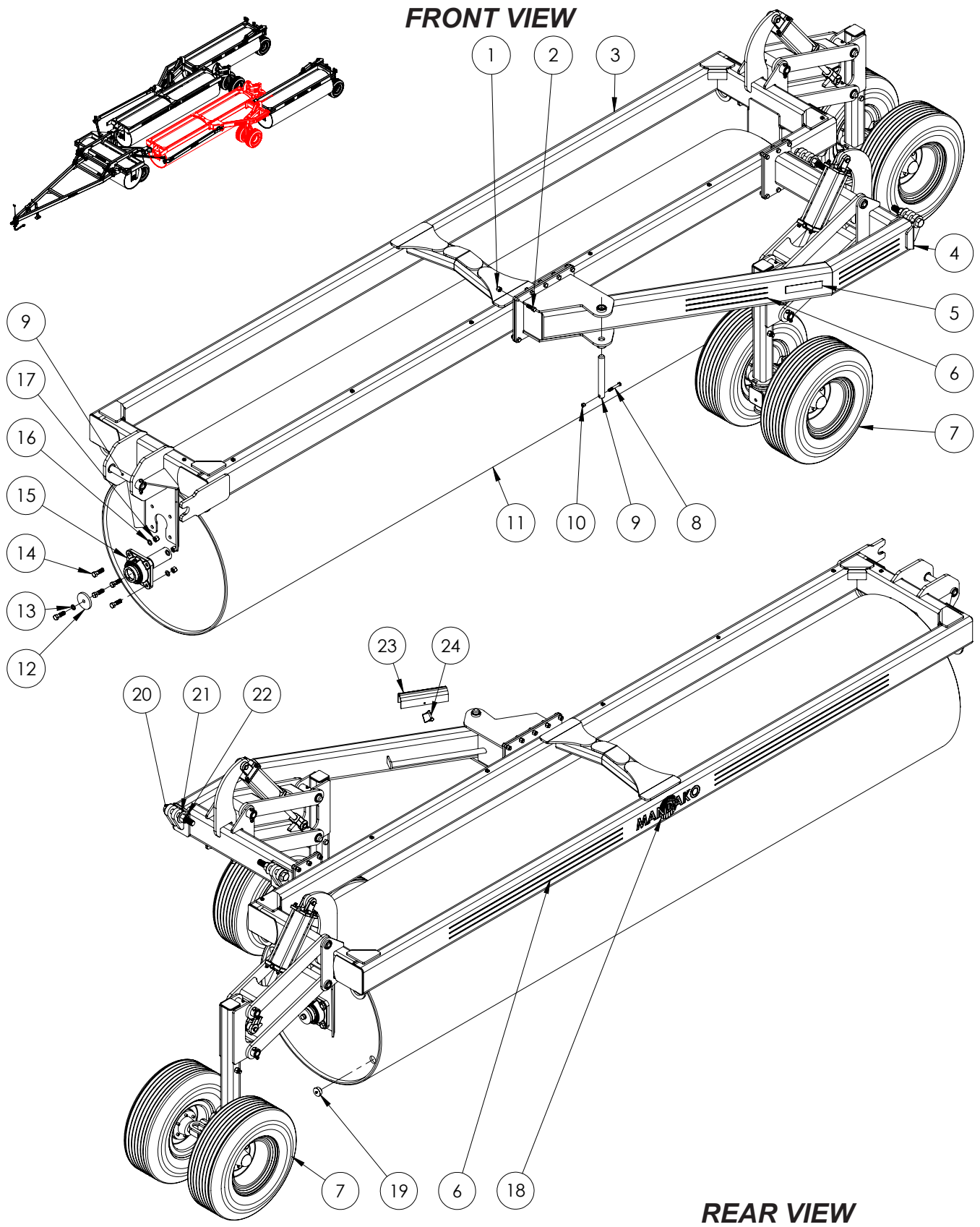


Table: G			
Item	Part #	Description	Qty
1	R0430108	Nut, Lock: 5/8"	16
2	R0130820	Bolt: 5/8" x 2"	16
3 a)	WM005048	Left Middle Wing Frame: 62' - 80'	1
3 b)	WM005050	Left Middle Wing Frame: 85'	
4 a)	WC005110	Left Wing Side Step: 62' - 80'	1
4 b)	WC005112	Left Wing Side Step: 85'	
5	R9913003	Decal, Retroreflective, Yellow: 2" x 9"	1
6	R9913202	Decal, Pin Stripe: 3" x 60"	4
7	AC005018	Swivel Axle Assembly: 5-Plex LR, 50 Series <i>(See Page: 18, 19)</i>	2
8	R0130635	Bolt: 1/2" x 3-1/2"	6
9	PR151001	Pin: 1-1/2" x 12"	2
10	R0430106	Nut, Lock: 1/2"	6
11 a)	WD052201	Drum: 42" x 5/8" x 201": 62' - 80'	1
11 b)	WD052231	Drum: 42" x 5/8" x 231": 85'	
12	PP055038	Drum Washer: 1/2" x 4-1/4"	2
13	R0610009	Washer, Lock: 3/4"	2
14	R0120925	Bolt, Fine: 3/4" x 2-1/2"	10
15 a)	R1100010	Bearing, Flange: 3" Bore, 4-Bolt x 6" Center - Center	2
15 b)	R1100016	Bearing only: 3" Bore	
16	R0591009	Washer, Flat, Belleville: 3/4"	8
17	R0340109	Nut, Fine, Lock: 3/4"	8
18	R9913200	Decal, Mandako Logo: 6-1/2" x 23-3/4"	1
19	R9930002	Plug, Roller Drum: 2"	2
20	R0131385-01	Bolt: 1-1/4" x 8-1/2"	2
21	R0510213	Washer, Flat: 1-1/4"	4
22	R0410113	Nut, Lock: 1-1/4"	2
23	PP032021	Cylinder Stop: 1-1/2" x 12"	2
24	R0804281	Wire Latch Pin: 3/8" x 2-1/2"	2

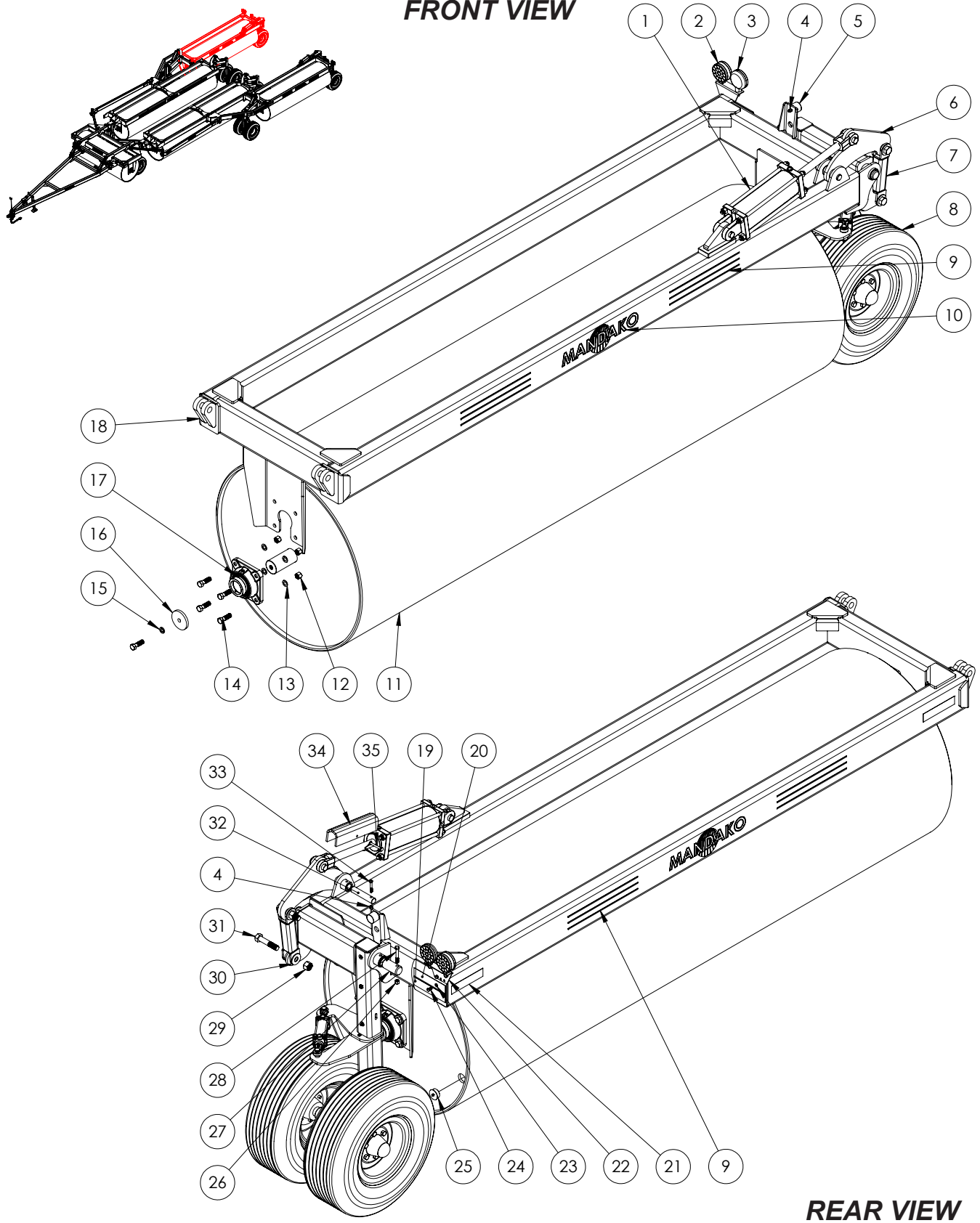


Table: H			
Item	Part #	Description	Qty
1	n/a	Wheel Lift Hydraulics (<i>See Page: 26, 27</i>)	
2	R1701011	Light Amber/Amber	1
3	R1701012	Light Red	1
4	R0410104	Nut, Lock: 3/8"	2
5	R9911002	Bumper, Rubber: 2" x 1-5/8"	1
6	WC005054	Swivel Axle Bracket	1
7	WC005055	Rear Axle Lift Link	1
8	n/a	Rear Axle Assembly (<i>See Page: 20, 21</i>)	1
9	R9913202	Decal, Pin Stripe: 3" x 60"	4
10	R9913200	Decal, Mandako Logo: 6-1/2" x 23-3/4"	2
11	n/a	Drum (<i>See Table: I</i>)	1
12	R0340109	Nut, Fine, Lock: 3/4"	8
13	R0591009	Washer, Flat, Belleville: 3/4"	8
14	R0120925	Bolt, Fine: 3/4" x 2-1/2"	10
15	R0610009	Washer, Lock: 3/4"	2
16	PP055038	Drum Washer: 1/2" x 4-1/4"	2
17 a)	R1100010	Bearing, Flange: 3" Bore, 4-Bolt x 6" Center - Center	2
17 b)	R1100016	Bearing only: 3" Bore	
18	n/a	Rear Wing Frame: Right (<i>See Table: J</i>)	1
19	R9913002	Decal, Retroreflective, Red: 2" x 9"	1
20	R9913004	Decal, Fluorescent Orange: 2" x 9"	1
21	R9913003	Decal, Retroreflective, Yellow: 2" x 9"	2
22	PP010006	Light Mount Bracket: Dual	1
23	R0610003	Washer, Lock: 3/8"	2
24	R0110408	Bolt: 3/8" x 3/4"	2
25	R9930002	Plug, Roller Drum: 2"	2
26	R0430106	Nut, Lock: 1/2"	2
27	PR205002	Pin: 2" x 26"	1
28	R0130635	Bolt: 1/2" x 3-1/2"	2
29	R0430111	Nut, Lock: 1"	2
30	R0510111	Washer, Flat: 1"	4
31	R0131150	Bolt: 1" x 5"	2
32	PR132001	Pin: 1-1/4" x 6"	1
33	R0110425	Bolt: 3/8" x 2-1/2"	1
34	PP042014	Cylinder Stop: 2" x 12"	2
35	R0804300	Wire Latch Pin: 3/8" x 3"	2

Table: I			Table: J		
Unit Size	Part #	Description	Unit Size	Part #	Description
62'	WD052123	Drum: 42" x 5/8" x 123"	62'	WM005162	62' Rear Wing Frame: Right
65'	WD052139	Drum: 42" x 5/8" x 139"	65'	WM005165	65' Rear Wing Frame: Right
70'	WD052169	Drum: 42" x 5/8" x 169"	70'	WM005170	70' Rear Wing Frame: Right
75'	WD052199	Drum: 42" x 5/8" x 199"	75'	WM005175	75' Rear Wing Frame: Right
80'	WD052229	Drum: 42" x 5/8" x 229"	80'	WM005180	80' Rear Wing Frame: Right
85'	WD052229	Drum: 42" x 5/8" x 229"	85'	WM005180	80' Rear Wing Frame: Right

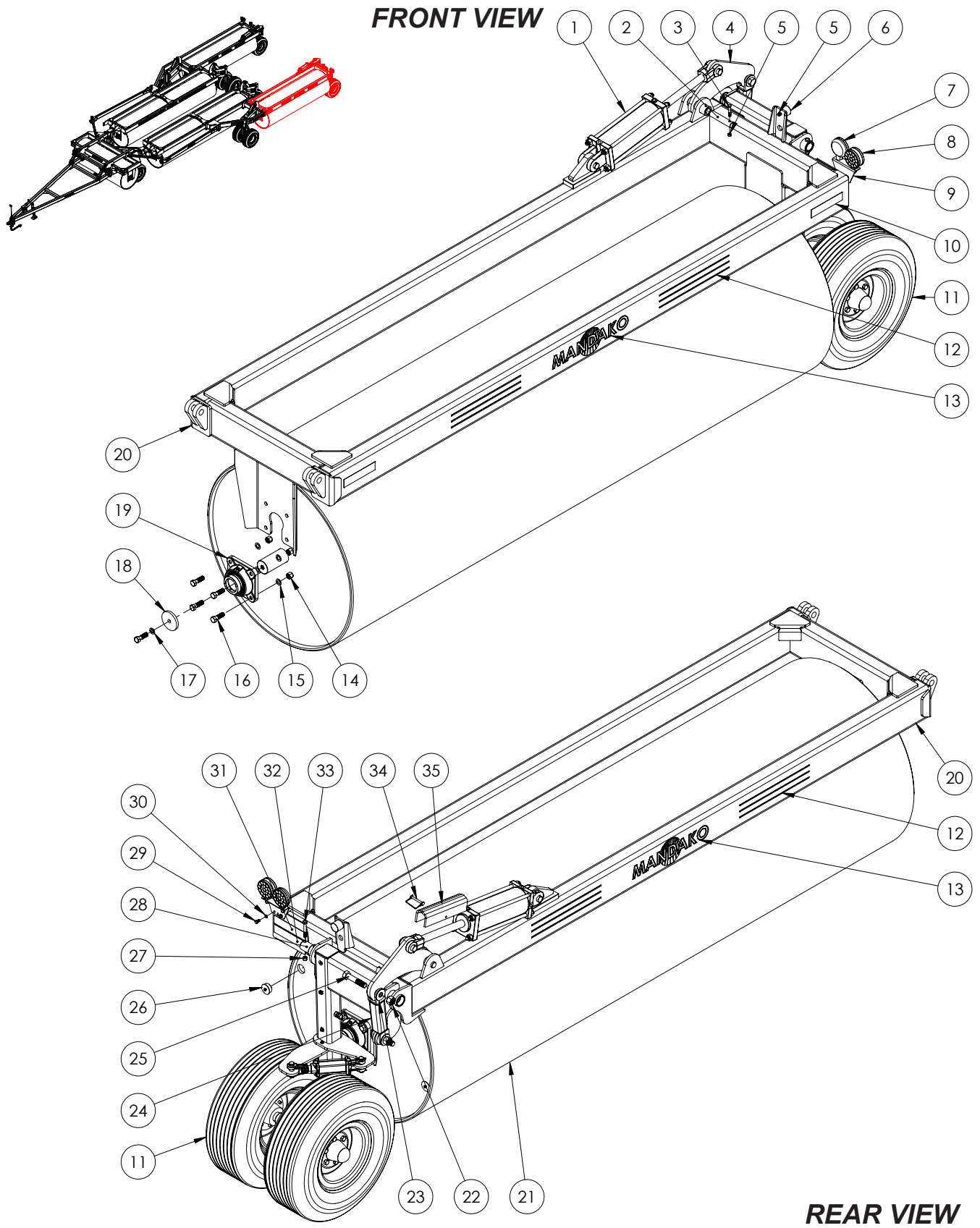


Table: K			
Item	Part #	Description	Qty
1	n/a	Wheel Lift Hydraulics (<i>See Page: 26, 27</i>)	
2	PR132001	Pin: 1-1/4" x 6"	1
3	R0110425	Bolt: 3/8" x 2-1/2"	1
4	WC005054	Swivel Axle Bracket	1
5	R0410104	Nut, Lock: 3/8"	1
6	R9911002	Bumper, Rubber: 2" x 1-5/8"	1
7	R1701012	Light Red	1
8	R1701011	Light Amber/Amber	1
9	PP010006	Light Mount Bracket: Dual	1
10	R9913003	Decal, Retroreflective, Yellow: 2" x 9"	2
11	n/a	Rear Axle Assembly (<i>See Page: 20, 21</i>)	1
12	R9913202	Decal, Pin Stripe: 3" x 60"	4
13	R9913200	Decal, Mandako Logo: 6-1/2" x 23-3/4"	2
14	R0340109	Nut, Fine, Lock: 3/4"	8
15	R0591009	Washer, Flat, Belleville: 3/4"	8
16	R0120925	Bolt, Fine: 3/4" x 2-1/2"	10
17	R0610009	Washer, Lock: 3/4"	2
18	PP055038	Drum Washer: 1/2" x 4-1/4"	2
19 a)	R1100010	Bearing, Flange: 3" Bore, 4-Bolt x 6" Center - Center	2
19 b)	R1100016	Bearing only: 3" Bore	
20	n/a	Rear Wing Frame: Left (<i>See Table: M</i>)	1
21	n/a	Drum (<i>See Table: L</i>)	1
22	R0430111	Nut, Lock: 1"	2
23	R0510111	Washer, Flat: 1"	4
24	WC005055	Rear Axle Lift Link	1
25	R0131150	Bolt: 1" x 5"	2
26	R9930002	Plug, Roller Drum: 2"	2
27	R0430106	Nut, Lock: 1/2"	2
28	PR205002	Pin: 2" x 26"	1
29	R0110408	Bolt: 3/8" x 3/4"	2
30	R0610003	Washer, Lock: 3/8"	2
31	R9913004	Decal, Flourescent Orange: 2" x 9"	1
32	R9913002	Decal, Retroreflective, Red: 2" x 9"	1
33	R0130635	Bolt: 1/2" x 3-1/2"	1
34	R0804300	Wire Latch Pin: 3/8" x 3"	2
35	PP042014	Cylinder Stop: 2" x 12" (<i>Includes Item 34</i>)	2

Table: L			Table: M		
Unit Size	Part #	Description	Unit Size	Part #	Description
62'	WD052123	Drum: 42" x 5/8" x 123"	62'	WM005262	62' Rear Wing Frame: Right
65'	WD052139	Drum: 42" x 5/8" x 139"	65'	WM005265	65' Rear Wing Frame: Right
70'	WD052169	Drum: 42" x 5/8" x 169"	70'	WM005270	70' Rear Wing Frame: Right
75'	WD052199	Drum: 42" x 5/8" x 199"	75'	WM005275	75' Rear Wing Frame: Right
80'	WD052229	Drum: 42" x 5/8" x 229"	80'	WM005280	80' Rear Wing Frame: Right
85'	WD052229	Drum: 42" x 5/8" x 229"	85'	WM005280	80' Rear Wing Frame: Right

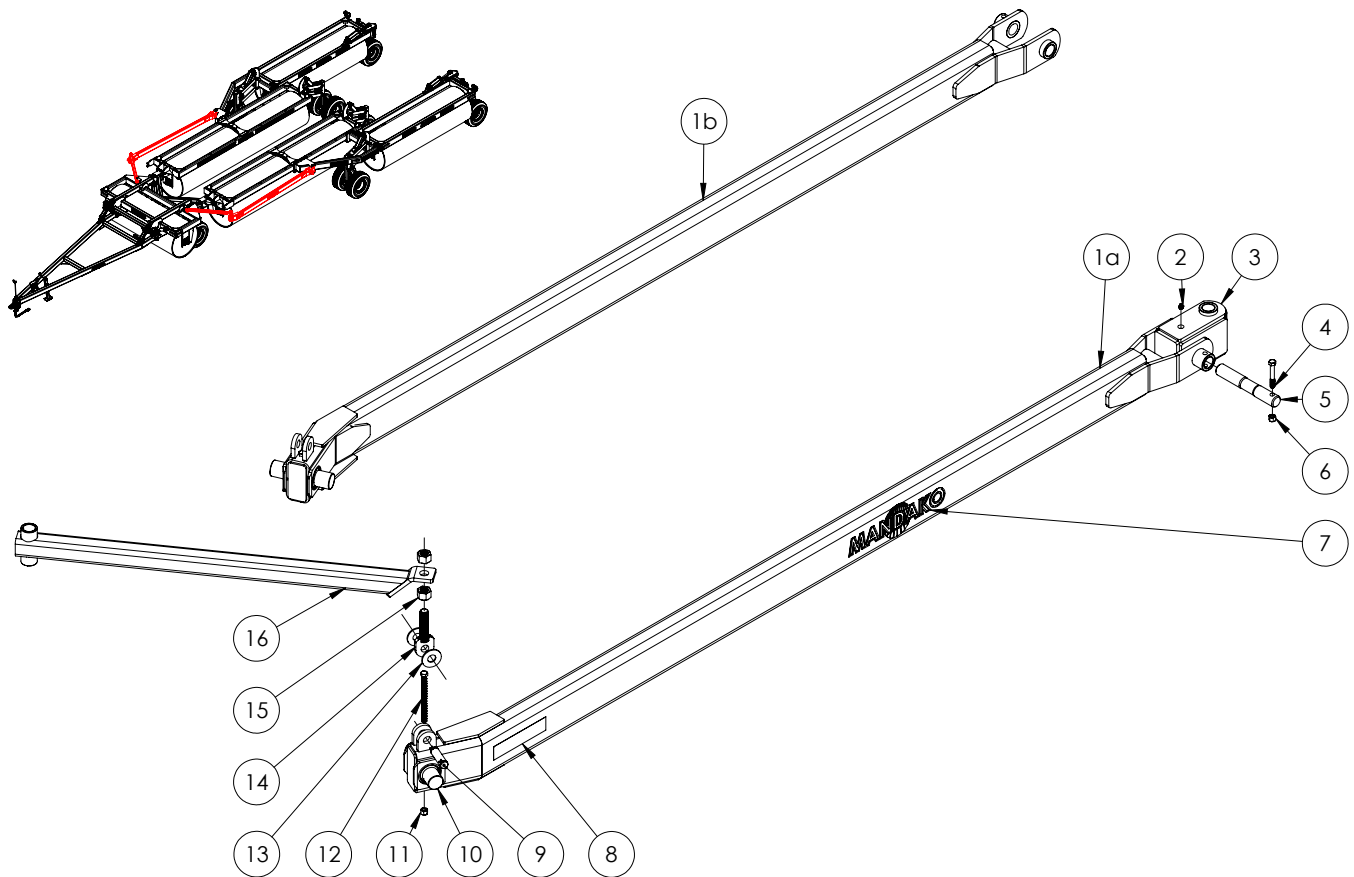


Table: N

Item	Part #	Description	Qty
1 a)	WC005100	Wing Lock Arm: Right	1
1 b)	WC005101	Wing Lock Arm: Left	1
2	R1502504	Grease Zerk, Straight: 1/8" NPT	4
3	WC005107	5- Plex Wing Lock Knuckle	2
4	R0130635	Bolt: 1/2" x 3-1/2"	2
5	PR151002	Pin w/ Grease Groove: 1-1/2" x 10"	2
6	R0430106	Nut, Lock: 1/2"	2
7	R9913201	Decal, Mandako Logo: 4-1/4" x 16-1/2"	2
8	R9913003	Decal, Retroreflective, Yellow: 2" x 9"	2
9	R0810030	Pin: 1" x 3"	2
10	PR255007	Pin, wing lock: 2-1/2" x 7-3/4"	2
11	R0430106	Nut, Lock: 1/2"	2
12	R0130675	Bolt: 1/2" x 7-1/2"	2
13	R0510111	Washer, Flat: 1"	4
14	WC005108	Wing Lock Hanger Bracket	2
15	R0430111	Nut, Lock: 1"	4
16	WC005099	Wing Lock Guide Arm	2

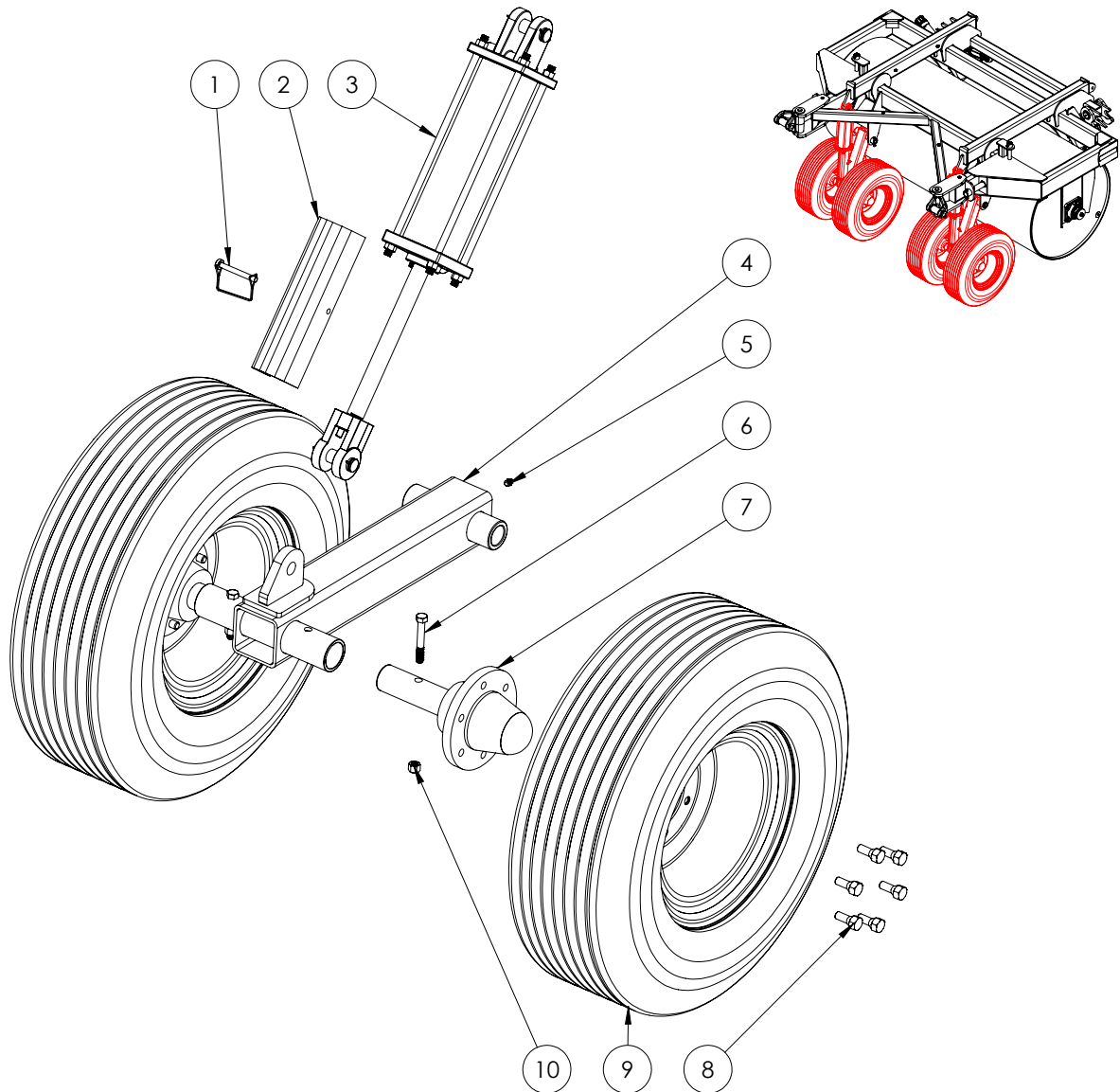


Table: O

Item	Part #	Description	Qty
1	R0804281	Pin, Wire Latch: 3/8" x 2-1/2"	1
2	PP032021	Cylinder Stop: 1-1/2" x 12" <i>(Includes Item 1)</i>	1
3	n/a	Wheel Lift Hydraulics <i>(See Page: 24, 25)</i>	
4	WC005056	Front Axle Arm	1
5	R1502501	Zerk, Grease: 1/8"-27 NPT	1
6	R0130635	Bolt: 1/2" x 3-1/2"	2
7	n/a	Hub/Spindle Assembly: 6-Bolt <i>(See Page: 22)</i>	2
8	R0150713	Bolt, Lug, 90°: 9/16" x 1-1/4"	12
9	n/a	Wheel & Tire Assembly <i>(See Page: 23)</i>	2
10	R0430106	Nut, Lock: 1/2"	2

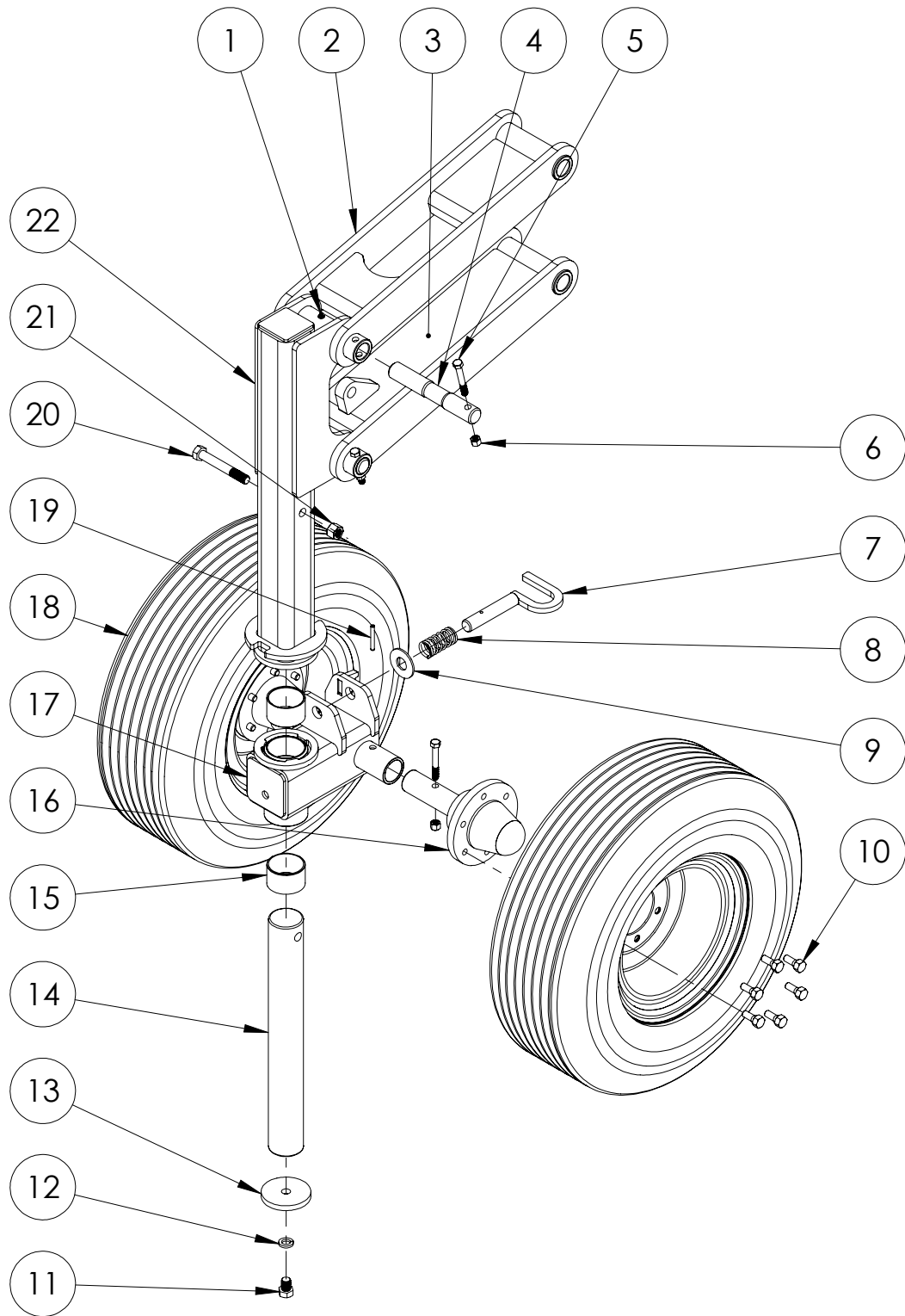
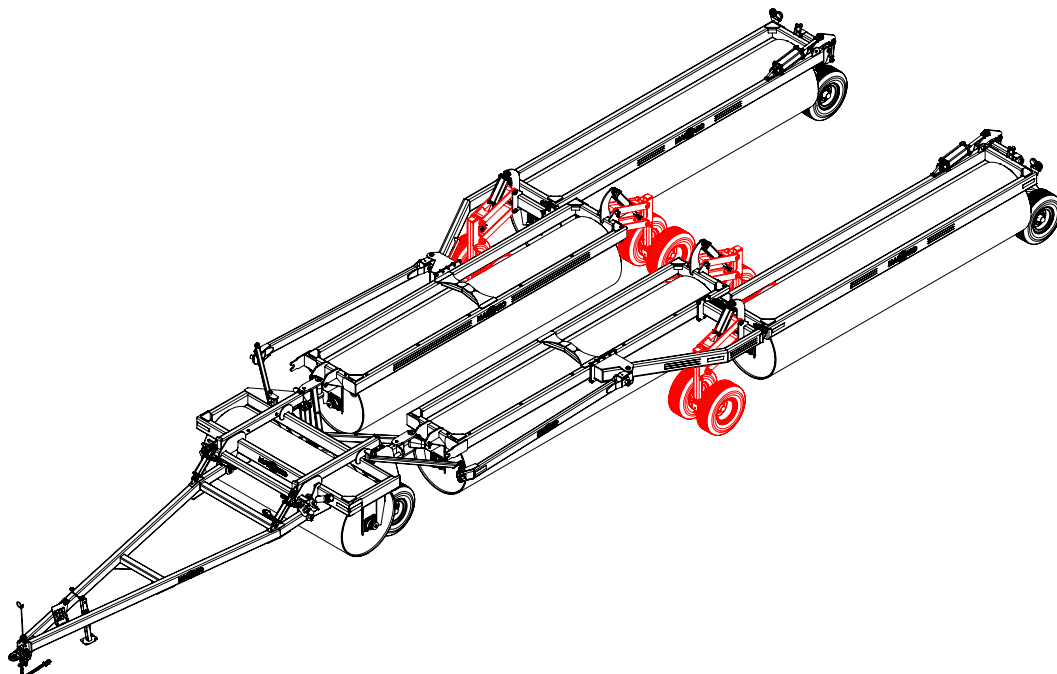


Table: P

Item	Part #	Description	Qty
1	R1502504	Grease Zerk, Straight: 1/8" NPT	
2	WC005105	Parallel Link Component: Swivel Axle, Top	1
3	WC005106	Parallel Link Component: Swivel Axle, Bottom	1
4	PR151002	Pin: 1-1/2" x 10"	2
5	R0130635	Bolt: 1/2" x 3-1/2"	2
6	R0430106	Nut, Lock: 1/2"	2
7	WC005104	Locking Pin: Swivel Axle	1
8	R0915001	Spring, Swivel Axle: 1-1/2" x 3-1/4"	1
9	R0510212	Washer, Flat: 1-1/8"	1
10	R0150713	Bolt, Lug, 90°: 9/16" x 1-1/4"	12
11	R0141130	Bolt, Fine: 1" x 3"	1
12	R0610009	Washer, Lock: 3/4"	1
13	PP055115	Heavy Washer: 1/2" x 4-1/4"	1
14	PR305003	Swivel Axle Pin: 3" x 24"	1
15	R1030000	Greaseless Bushing: 3"ID x 2"L	2
16	n/a	Hub/Spindle Assembly (See Page: 22)	2
17	WC005103	Axle Arm: 5-Plex Swivel, 50 Series	1
18	n/a	Wheel & Tire Assembly (See Page: 23)	2
19	R0803025	Roll Pin: 5/16" x 2-1/2"	1
20	R0130955	Bolt: 3/4" x 5-1/2"	1
21	R0430109	Nut, Lock: 3/4"	1
22	WC005102	Swivel Axle Tower	1



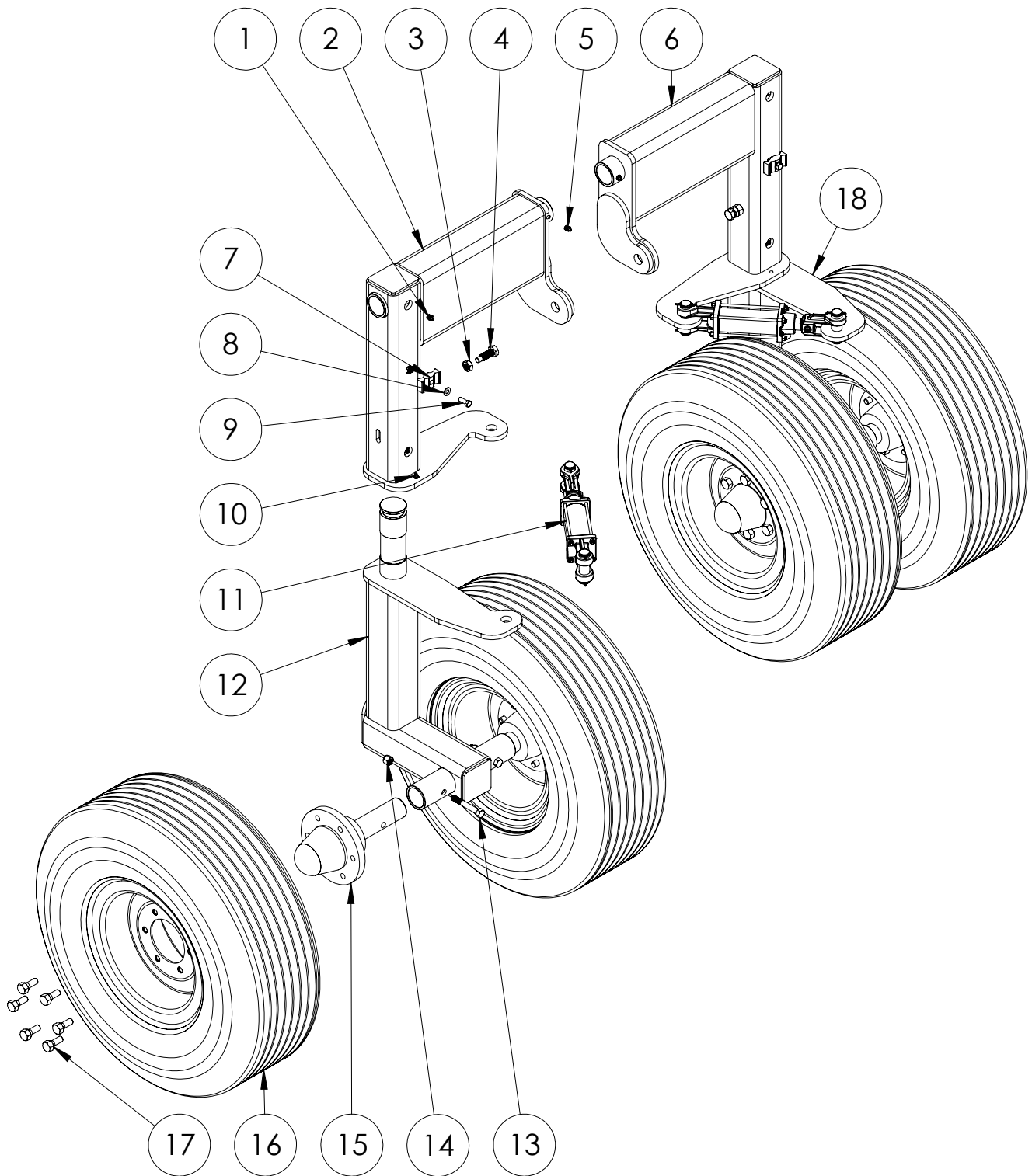
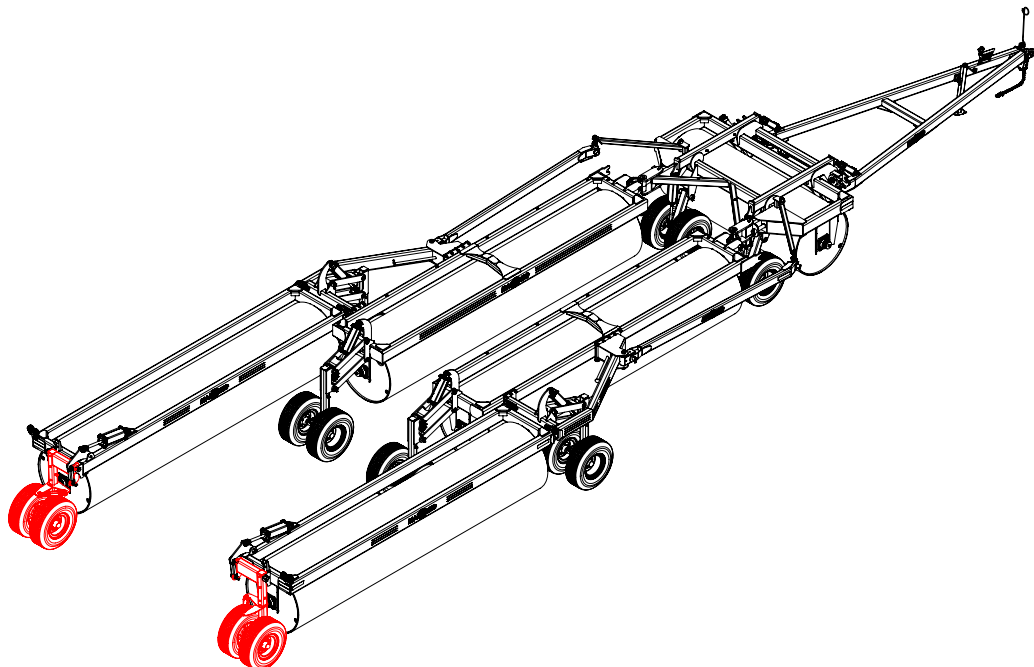


Table: Q			
Item	Part #	Description	Qty
1	R1502509	Grease Zerk, Long: 1/8" NPT	2
2	WC005044	Rear Axle Frame, Dual Steering: Upper, Left	1
3	R0310308	Nut, Jam: 5/8"	2
4	PM062001	Steering Pin Security Bolt: 5/8" x 2"	2
5	R1502503	Grease Zerk, 90°, 1/8" NPT	2
6	WC005045	Rear Axle Frame, Dual Steering: Upper, Right	1
7	R1804004	Dual Hydraulic Hose Clamp: 3/8"	2
8	R0510204	Washer, Flat: 3/8"	2
9	R0110410	Bolt: 3/8" x 1"	2
10	R1502504	Grease Zerk: 1/8" NPT	2
11	n/a	Rear Steering Hydraulics (<i>See Page: 26, 27</i>)	
12	WC005048	Rear Axle Frame, Dual Steering: Lower, Left	1
13	R0130635	Bolt: 1/2" x 3-1/2"	2
14	R0430106	Nut, Lock: 1/2"	2
15	n/a	Hub/Spindle Assembly: 6-Bolt (<i>See Page: 22</i>)	2
16	n/a	Assembly, Wheel & Tire (<i>See Page: 23</i>)	2
17	R0150713	Bolt, Lug, 90°: 9/16" x 1-1/4"	12
18	WC005049	Rear Axle Frame, Dual Steering: Lower, Right	1



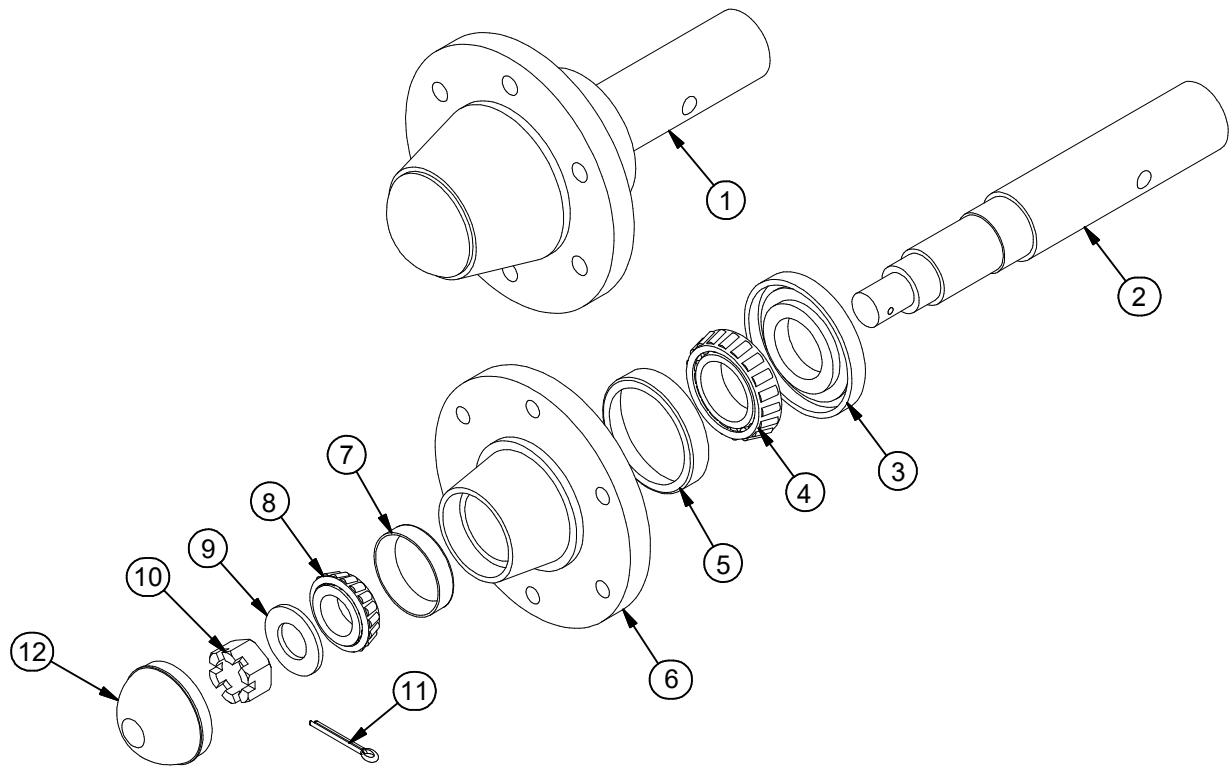


Table: R

Item #	Part #	Description	Reference #
1	R9903001-04	Complete Hub/Spindle Assembly: 6-Bolt: 3-1/4" Seal-Hole	
2	R9904001	Spindle, 6-Bolt: 3-1/4" Seal-Hole	
3 a)	R1320001	Seal, Grease, 6-Bolt: Single Lip	SE30
3 b)	R1320001-02	Seal, Grease, 6-Bolt: Labyrinth	SE88
4 a)	R1100013	Bearing, Tapered: 6-Bolt Inner	25520
4 b)	R1100013-01	Bearing, Tapered: 6-Bolt Inner (Premium)	25520
5 a)	R1200003	Race, 6-Bolt: Inner	25520
5 b)	R1200003-01	Race, 6-Bolt: Inner (Premium)	25520
6	R9905001-01	Hub, Cast, 6-Bolt (Includes items 4b & 5b)	HA618
7 a)	R1200004	Race, 6-Bolt: Outer	LM48510
7 b)	R1200004-01	Race, 6-Bolt: Outer (Premium)	LM48510
8 a)	R1100012	Bearing, Tapered: 6-Bolt Outer	LM48548
8 b)	R1100012-01	Bearing, Tapered: 6-Bolt Outer (Premium)	LM48548
9	R0590100	Washer, Flat, Hardened: 1"	
10	R1410001	Nut, Castle, Fine: 1"	
11	R1618900	Pin, Cotter: 3/16" x 2"	
12	R9906001	Dust Cap: 6-Bolt	DC-15
*	KB100001	Rebuild Kit, 6-Bolt (Canada Only) (Includes all "a" item's from 2-6)	
*	KB100001-11	Premium Rebuild Kit, 6-Bolt (Includes all "b" item's from 2-6)	
*	KB100001-12	Premium Rebuild Kit, 6-Bolt (Includes all "b" item's from 2-6 & 1,7,8,11)	
*	R1502505	Grease Zerk: 6mm Straight	



STYLE A



STYLE B

Table: S

Item	Part #	Description	Style
1	R9908002	Wheel Only, Implement, Yellow: 16" x 6", 6"-6-Bolt, +1-1/8"Offset	A
2	R9908002-01	Wheel Only, Implement, Black: 16" x 6", 6"-6-Bolt, +1-1/8"Offset	A
3	R9908002-02	Wheel Only, Implement, Yellow: 16" x 6", 6"-6-Bolt, +1-1/8"Offset	B
4	R9908002-03	Wheel Only, Implement, Black: 16" x 6", 6"-6-Bolt, +1-1/8"Offset	B
5	KW100001	Wheel & Tire Assembly, Yellow: 6"-6-Bolt, +1-1/8"Offset, ST235/80R16E, 10 Ply	A
6	KW100001-01	Wheel & Tire Assembly, Black: 6"-6-Bolt, +1-1/8"Offset, ST235/80R16E, 10 Ply	A
7	KW100001-02	Wheel & Tire Assembly, Yellow: 6"-6-Bolt, +1-1/8"Offset, ST235/80R16E, 10 Ply	B
8	KW100001-03	Wheel & Tire Assembly, Black: 6"-6-Bolt, +1-1/8"Offset, ST235/80R16E, 10 Ply	B
9	R9907002	Tire Only, Implement: ST235/80R16E, 10 Ply	

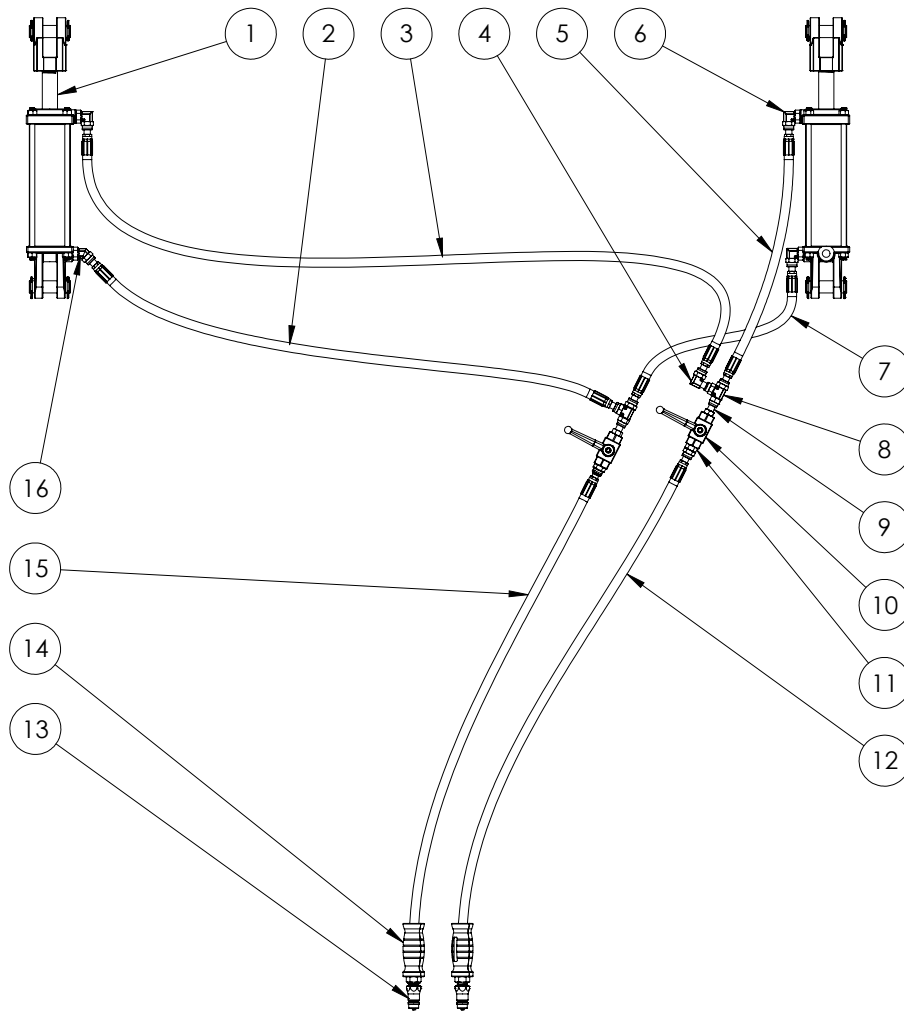


Table: T

Item #	Part #	Description	Seal Kit #
1	R1930801	Cylinder, Tie-Rod, Black: 3" x 8"	KR100020
2	n/a	Hydraulic Hose, #6 FORFSX - #6 FORFSX: 3/8" x 54"	
3	n/a	Hydraulic Hose, #6 FORFSX - #6 FORFSX: 3/8" x 66"	
4	R1802030	Elbow, 90°: #6 FORFSX - #6 MORFS	
5	n/a	Hydraulic Hose, #6 FORFSX - #6 FORFSX: 3/8" x 22"	
6	R1802007	Elbow, 90°: #6 MORFS - #8 MORB	
7	n/a	Hydraulic Hose, #6 FORFSX - #6 FORFSX: 3/8" x 20"	
8	R1802031	Tee: #6 MORFS - #6 MORFS - #6 MORFS	
9	R1802033	Straight: #6 MORB - #6 FORFSX	
10	R1803006	Ball Valve: #6 FORB - #6 FORB	
11	R1802042	Straight: #6 MORB - #6 MORFS	
12	n/a	Hydraulic Hose, #8 MPT - #6 FORFSX: 3/8" x 228"	
13	R1805001	Male Quick Connect: #8 FPT	
14	R1899010	Handle Grip, Blue: #8 MPT - #8 FPT	
15	n/a	Hydraulic Hose, #8 MPT - #6 FORFSX: 3/8" x 228"	
16	R1802006	Elbow, 45°: #6 MORFS - #8 MORB	

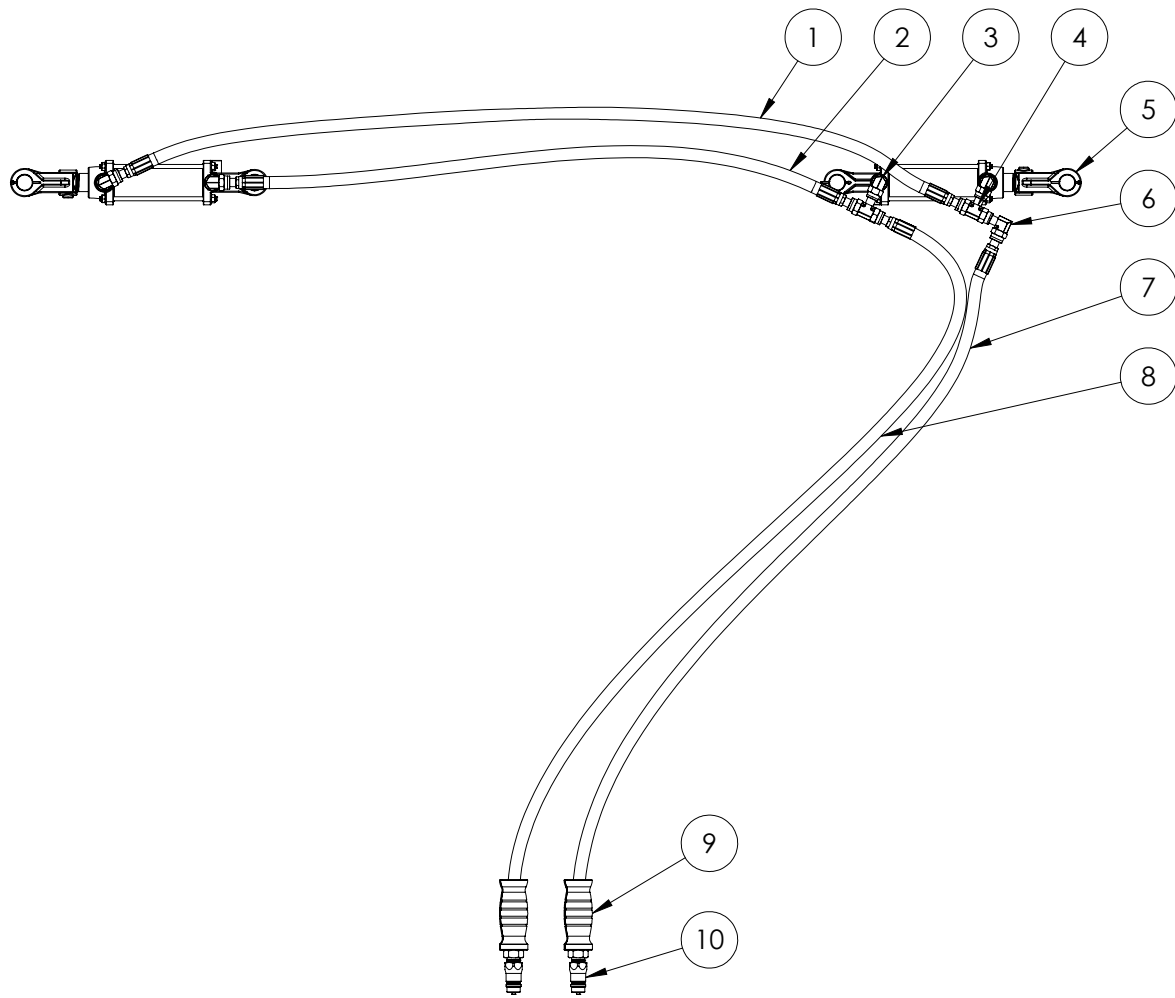
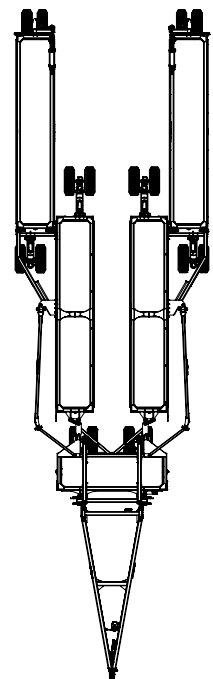
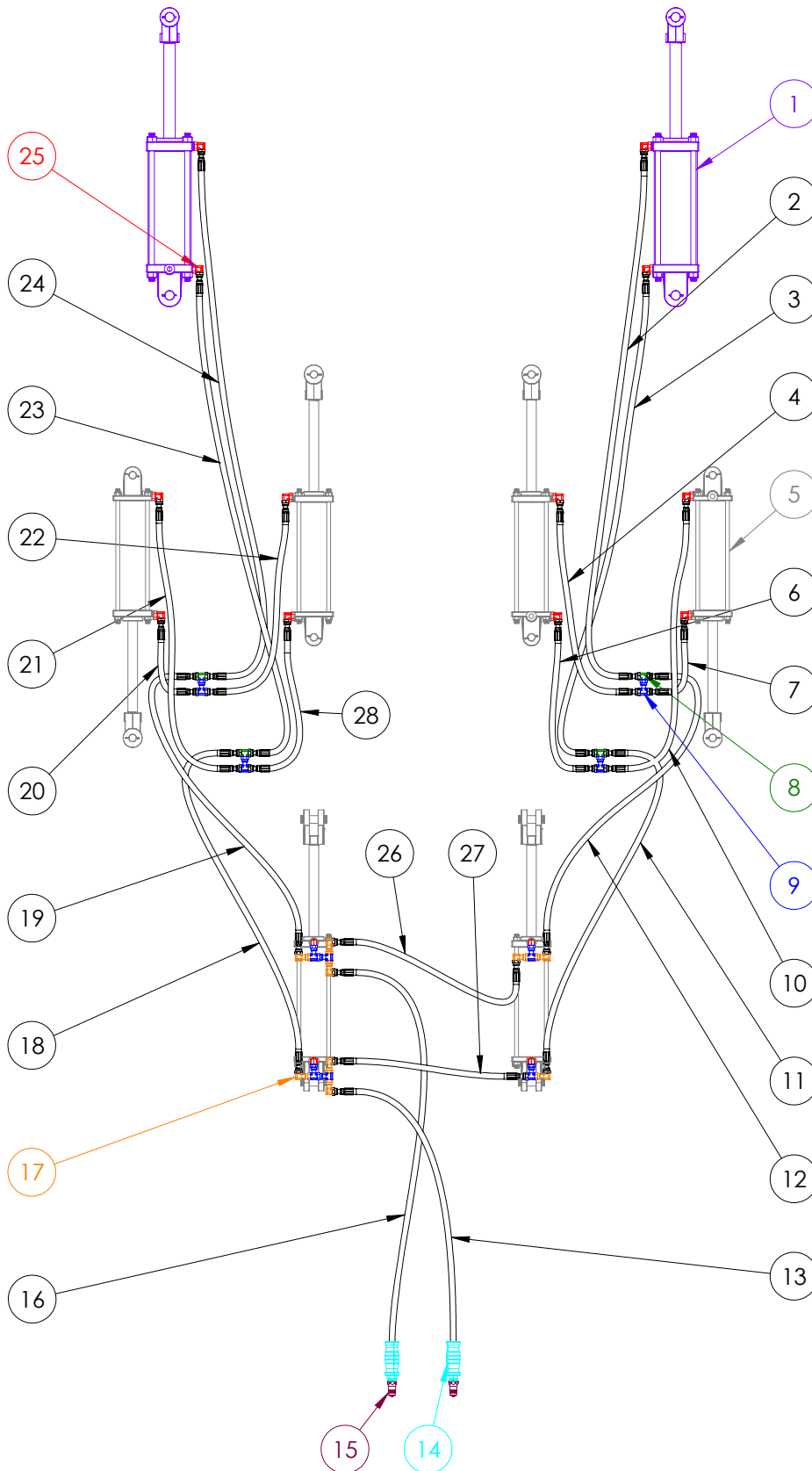


Table: U

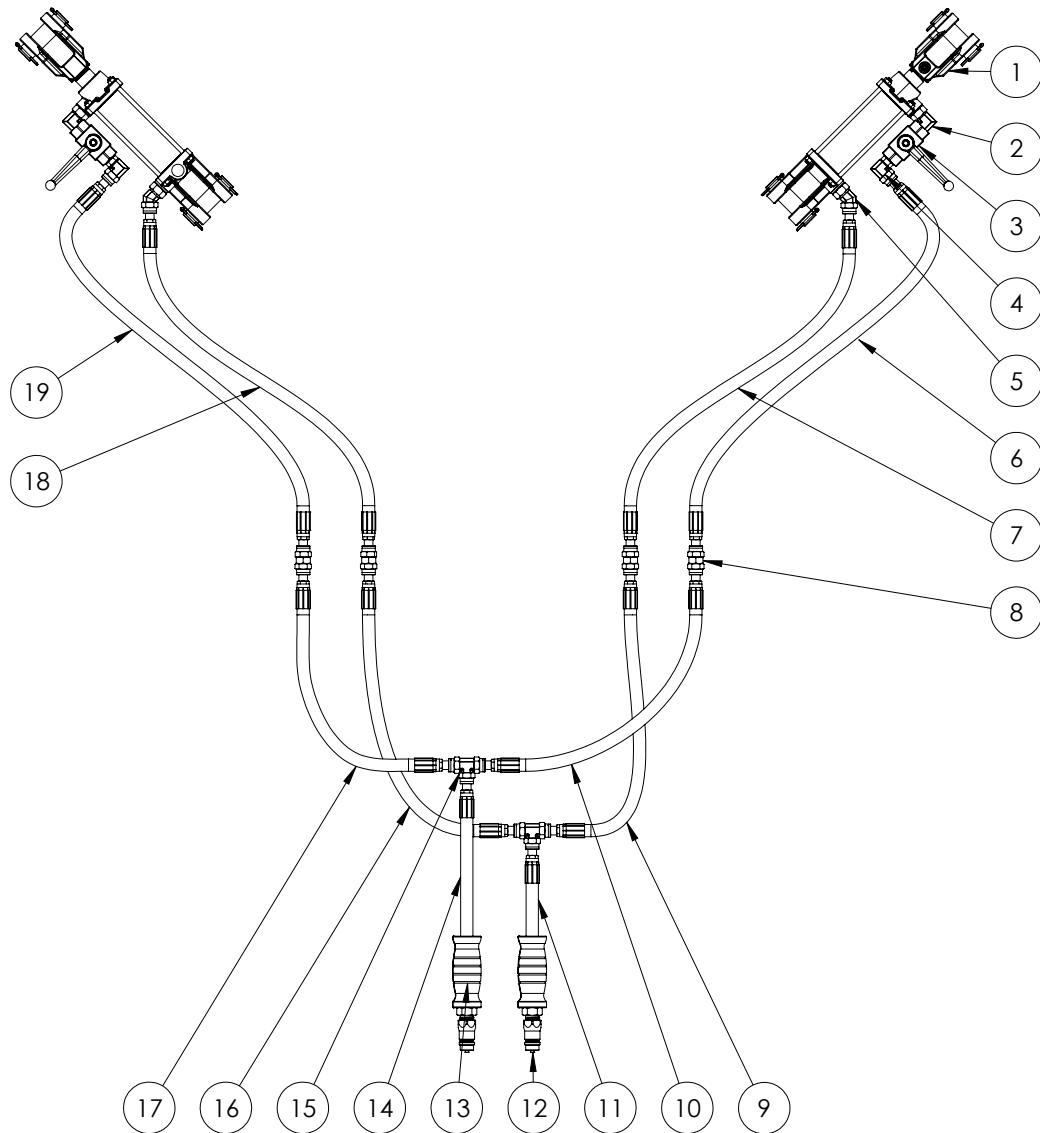
Item #	Part #	Description	Seal Kit #
1	n/a	Hydraulic Hose, #6 FORFSX - #6 FORFSX: 3/8" x 52"	
2	n/a	Hydraulic Hose, #6 FORFSX - #6 FORFSX: 3/8" x 39"	
3	R1802007	Elbow, 90°: #6 MORFS - #8 MORB	
4	R1802032	Tee: #6 MORFS - #6 FORFSX - #6 MORFS	
5	R1920401-01	Cylinder, Tie-Rod, Black: 2" x 4"	KR100018
6	R1802030	Elbow, 90°: #6 FORFSX - #6 MORFS	
7	n/a	Hydraulic Hose, #8 MPT - #6 FORFSX: 3/8" x 258"	
8	n/a	Hydraulic Hose, #8 MPT - #6 FORFSX: 3/8" x 264"	
9	R1899013	Handle Grip, Yellow: #8 MPT - #8 FPT	
10	R1805001	Male Quick Connect: #8 FPT	



ORIENTATION

Item #	Part #	Description	Seal Kit #
1	R1951201-01	Cylinder, Tie-Rod, Black: 5" x 12"	KR100007
2	n/a	Hydraulic Hose, #6 FORFSX - #6 FORFSX: 3/8" (See Table: W)	
3	n/a	Hydraulic Hose, #6 FORFSX - #6 FORFSX: 3/8" (See Table: W)	
4	n/a	Hydraulic Hose, #6 FORFSX - #6 FORFSX: 3/8" x 66"	
5	R1941201-01	Cylinder, Tie-Rod, Black: 4" x 12"	KR100000
6	n/a	Hydraulic Hose, #6 FORFSX - #6 FORFSX: 3/8" x 53"	
7	n/a	Hydraulic Hose, #6 FORFSX - #6 FORFSX: 3/8" x 66"	
8	R1802031	Tee: #6 MORFS - #6 MORFS - #6 MPRFS	
9	R1802032	Tee: #6 MORFS - #6 FORFSX - #6 MPRFS	
10	n/a	Hydraulic Hose, #6 FORFSX - #6 FORFSX: 3/8" x 53"	
11	n/a	Hydraulic Hose, #6 FORFSX - #6 FORFSX: 3/8" (See Table: W)	
12	n/a	Hydraulic Hose, #6 FORFSX - #6 FORFSX: 3/8" (See Table: W)	
13	n/a	Hydraulic Hose, #8 MPT - #6 FORFSX: 3/8" x 330"	
14	R1899011	Handle Grip, Green: #8 MPT - #8 FPT	
15	R1805001	Male Quick Connect: #8 FPT	
16	n/a	Hydraulic Hose, #8 MPT - #6 FORFSX: 3/8" x 348"	
17	R1802030	Elbow, 90°: #6 MORFS - #6 FORFSX	
18	n/a	Hydraulic Hose, #6 FORFSX - #6 FORFSX: 3/8" (See Table: W)	
19	n/a	Hydraulic Hose, #6 FORFSX - #6 FORFSX: 3/8" (See Table: W)	
20	n/a	Hydraulic Hose, #6 FORFSX - #6 FORFSX: 3/8" x 66"	
21	n/a	Hydraulic Hose, #6 FORFSX - #6 FORFSX: 3/8" x 53"	
22	n/a	Hydraulic Hose, #6 FORFSX - #6 FORFSX: 3/8" x 66"	
23	n/a	Hydraulic Hose, #6 FORFSX - #6 FORFSX: 3/8" (See Table: W)	
24	n/a	Hydraulic Hose, #6 FORFSX - #6 FORFSX: 3/8" (See Table: W)	
25	R1802007	Elbow, 90°: #6 MORFS - #8 MORB	
26	n/a	Hydraulic Hose, #6 FORFSX - #6 FORFSX: 3/8" x 84"	
27	n/a	Hydraulic Hose, #6 FORFSX - #6 FORFSX: 3/8" x 67"	
28	n/a	Hydraulic Hose, #6 FORFSX - #6 FORFSX: 3/8" x 53"	

Item No.	Unit Size					
	62	65	70	75	80	85
2	104"	122"	151"	181"	210"	210"
3	88"	107"	136"	166"	195"	195"
11	240"	240"	240"	240"	240"	264"
12	253"	253"	253"	253"	253"	283"
18	240"	240"	240"	240"	240"	264"
19	253"	253"	253"	253"	253"	283"
23	88"	107"	136"	166"	195"	195"
24	104"	122"	151"	181"	210"	210"



Item #	Part #	Description	Seal Kit #
1	R1920401-01	Cylinder, Tie-Rod, Black: 2" x 4"	KR100018
2	R1802007	Elbow, 90°: #6 MORFS - #8 MORB	
3	R1803006	Ball Valve: #6 FORB - #6 FORB	
4	R1802028	Elbow, 90°: #6 MORFS - #6 MORB	
5	R1802006	Elbow, 45°: #6 MORFS - #6 MORB	
6	n/a	Hydraulic Hose, #6 FORFSX - #6 FORFSX: 3/8" (See Table: Y)	
7	n/a	Hydraulic Hose, #6 FORFSX - #6 FORFSX: 3/8" (See Table: Y)	
8	n/a	Straight:	
9	n/a	Hydraulic Hose, #6 FORFSX - #6 FORFSX: 3/8" (See Table: Y)	
10	n/a	Hydraulic Hose, #6 FORFSX - #6 FORFSX: 3/8" (See Table: Y)	
11	n/a	Hydraulic Hose, #8 MPT - #6 FORFSX: 3/8" x 330"	
12	R1805001	Male Quick Connect: #8 FPT	
13	R1899012	Handle Grip, Red: #8 MPT - #8 FPT	
14	n/a	Hydraulic Hose, #8 MPT - #6 FORFSX: 3/8" x 330"	
15	R1802031	Tee: #6 MORFS - #6 MORFS - #6 MPRFS	
16	n/a	Hydraulic Hose, #6 FORFSX - #6 FORFSX: 3/8" (See Table: Y)	
17	n/a	Hydraulic Hose, #6 FORFSX - #6 FORFSX: 3/8" (See Table: Y)	
18	n/a	Hydraulic Hose, #6 FORFSX - #6 FORFSX: 3/8" (See Table: Y)	
19	n/a	Hydraulic Hose, #6 FORFSX - #6 FORFSX: 3/8" (See Table: Y)	

Item No.	Unit Size					
	62	65	70	75	80	85
6	167"	185"	215"	245"	275"	275"
7	167"	185"	215"	245"	275"	275"
9	296"	296"	296"	296"	296"	326"
10	299"	299"	299"	299"	299"	329"
16	243"	243"	243"	243"	243"	273"
17	243"	243"	243"	243"	243"	273"
18	167"	185"	215"	245"	275"	275"
19	167"	185"	215"	245"	275"	275"

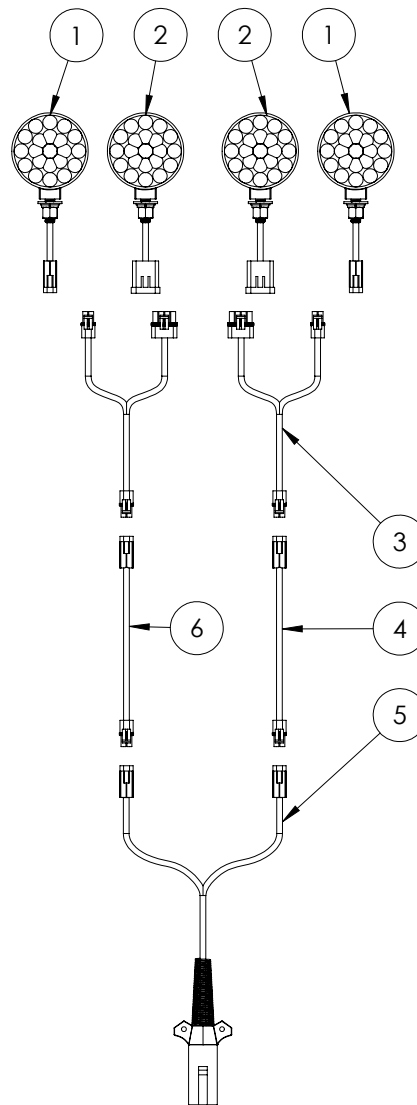


Table: Z

Item #	Part #	Unit Size	Description
1	R1701011	62-85	Light, LED: Amber/Amber
2	R1701012	62-85	Light, LED: Red
3	n/a	62	Y-Harness, Male Square 4 Pin - Male, Flat 2 Pin, Male, Flat 3 Pin: 16'
	n/a	65	Y-Harness, Male Square 4 Pin - Male, Flat 2 Pin, Male, Flat 3 Pin: 18'
	n/a	70	Y-Harness, Male Square 4 Pin - Male, Flat 2 Pin, Male, Flat 3 Pin: 21'-6"
	n/a	75	Y-Harness, Male Square 4 Pin - Male, Flat 2 Pin, Male, Flat 3 Pin: 24'
	n/a	80	Y-Harness, Male Square 4 Pin - Male, Flat 2 Pin, Male, Flat 3 Pin: 25'
	n/a	85	Y-Harness, Male Square 4 Pin - Male, Flat 2 Pin, Male, Flat 3 Pin: 25'
4	n/a	62-80	I-Harness, Right, Male Square 4 Pin - Female Square 4 Pin: 25'
	n/a	85	I-Harness, Right, Male Square 4 Pin - Female Square 4 Pin: 27'
5	n/a	62-85	Y-Harness, Lead, 7 Pin Round - Female Square 4 Pin, Female Square 4 Pin: 28'
6	n/a	62-80	I-Harness, Left, Male Square 4 Pin - Male Square 4 Pin: 29'
	n/a	85	I-Harness, Left, Male Square 4 Pin - Male Square 4 Pin: 32'

LAND ROLLER ACRE COUNTER

CONVERSION CHART

42" Diameter Drum Land Roller	
6'	0.73
8'	0.97
10'	1.21
12'	1.45
15'	1.82
20'	2.42
30'	3.63
34'	4.12
40'	4.85
42'	5.09
45'	5.45
50'	6.06
60'	7.27
61'	7.39
62'	7.51
65'	7.88
70'	8.48
75'	9.09
80'	9.69
85'	10.30

36" Diameter Drum Land Roller	
6'	0.73
8'	0.97
10'	1.21
12'	1.45
15'	1.82
20'	2.42
30'	3.63
34'	4.12
40'	4.85
42'	5.09
45'	5.45
50'	6.06
60'	7.27
61'	7.39
62'	7.51
65'	7.88
70'	8.48
75'	9.09
80'	9.69
85'	10.30

** NOTE **
 Acre Counters are specifically calibrated for either a 42" or 36" diameter drum. This is why the multiplier numbers are identical.

** USING THE CONVERSION CHART **

Step 1: Always remember to check acre counter reading before you start rolling. **IMPORTANT!!** Write this number down!

Step 2: When finished rolling, calculate the difference from the beginning to end of the acre counter

Step 3: Multiply acre counter number (ending number minus starting number) with the number as associated on the chart above. Make sure to use the right land roller LENGTH and DRUM SIZE

Table: AA		
Item	Part No.	Description
1	AA001001	Acre Counter w/Bracket: 36" Drum (560 rev/mile)
2	AA001002	Acre Counter w/Bracket: 42" Drum (480 rev/mile)

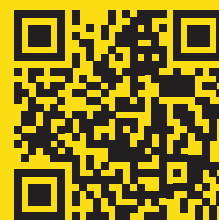


REVISION: 3.0

PART #: R9912016

RELEASED: JUNE 01, 2019

MANDAKO AGRI MARKETING (2010) LTD.



Printed in Canada